

PLEASE CHECK WWW.MOLEX.COM FOR LATEST PART INFORMATION

Part Number: [0473220322](#)
Status: **Active**
Description: 1.00mm (.039") Pitch ExpressCard* 34mm (1.34") Header, Bottom Mount, Push-Push Type, with 3.22mm (.127") Stand Off, Lead Free

Documents:

[3D Model](#) [Product Specification PS-47277-001 \(PDF\)](#)
[Drawing \(PDF\)](#) [RoHS Certificate of Compliance \(PDF\)](#)

General

Product Family	Memory Card Sockets
Series	47322
Button Type	Push-Push
Component Type	Header/Socket (Host)
Product Name	ExpressCard*
Type	N/A

Physical

Card Detection Switch	No
Circuits (Loaded)	26
Circuits (maximum)	26
Durability (mating cycles max)	10,000
Ejector Button Side	No Ejector Button Present
Entry Angle	Horizontal
Keying to Mating Part	Yes
Material - Metal	Phosphor Bronze
Material - Plating Mating	Gold
Material - Plating Termination	Tin
PCB Locator	Yes
PCB Mounting Side	Reverse
PCB Retention	Yes
Packaging Type	Embossed Tape on Reel
Pitch - Mating Interface (in)	0.039 In
Pitch - Mating Interface (mm)	1.00 mm
Pitch - Term. Interface (in)	0.039 In
Pitch - Term. Interface (mm)	1.00 mm
Plating min: Mating (µin)	15
Plating min: Mating (µm)	0.375
Plating min: Termination (µin)	60
Plating min: Termination (µm)	1.5
Ports	1
Surface Mount Compatible (SMC)	Yes
Temperature Range - Operating	-40°C to +85°C
Termination Interface: Style	Surface Mount

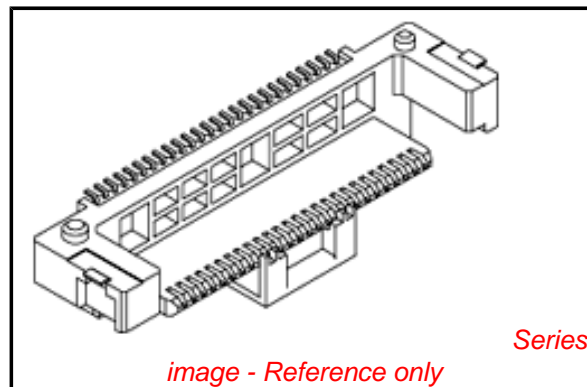
Electrical

Current - Maximum per Contact	0.75A
Shielded	No
Voltage - Maximum	3.3V DC
Voltage Key	N/A

Material Info

Reference - Drawing Numbers

Packaging Specification	PK-47322-012
Product Specification	PS-47277-001
Sales Drawing	SD-47322-002



EU RoHS

**ELV and RoHS
Compliant**
REACH SVHC
 Not Reviewed
**Halogen-Free
Status**
Not Reviewed

China RoHS



**Need more information on product
environmental compliance?**

Email productcompliance@molex.com
 For a multiple part number RoHS Certificate of Compliance, [click here](#)

Please visit the [Contact Us](#) section for any non-product compliance questions.

Search Parts in this Series

[47322Series](#)

Mates With

ExpressCard* Module

Use With

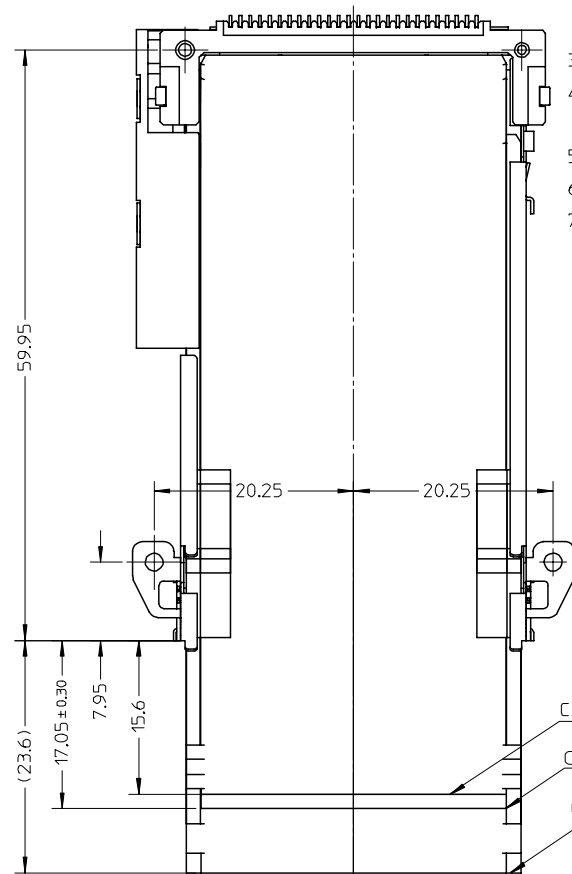
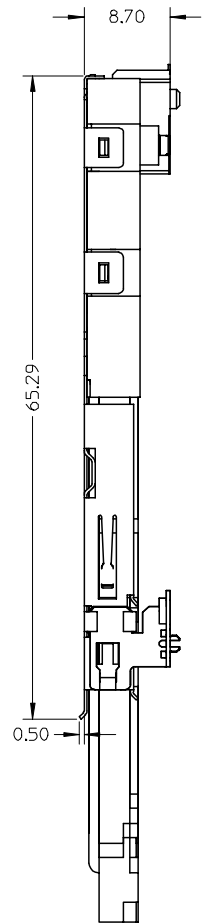
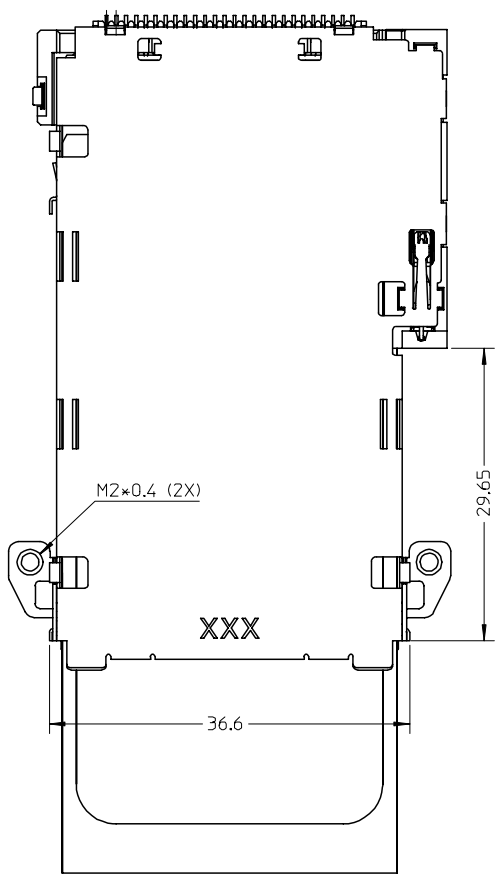
[473220323](#)

| * ExpressCard is trademark, or registered trademark of PCMCIA

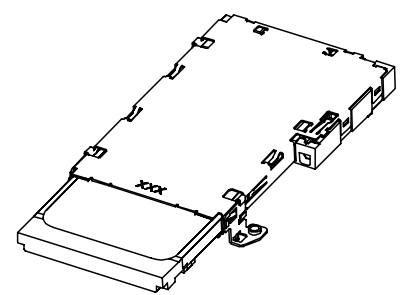
This document was generated on 06/01/2010

PLEASE CHECK WWW.MOLEX.COM FOR LATEST PART INFORMATION

10 9 8 7 6 5 4 3 2 1



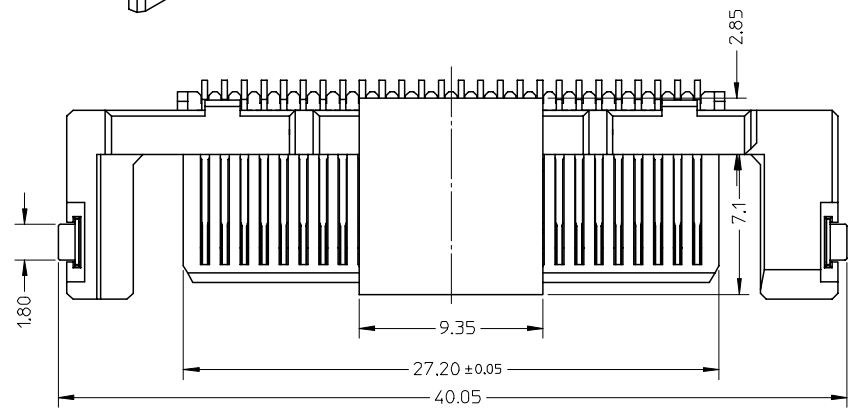
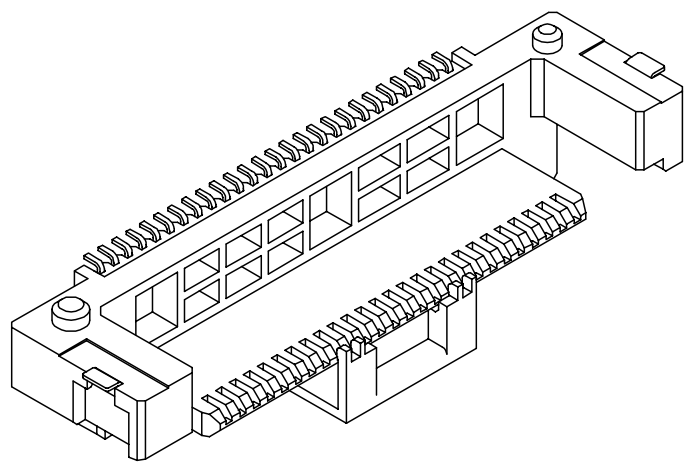
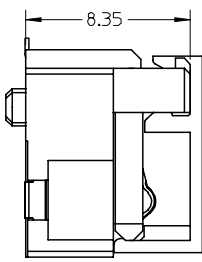
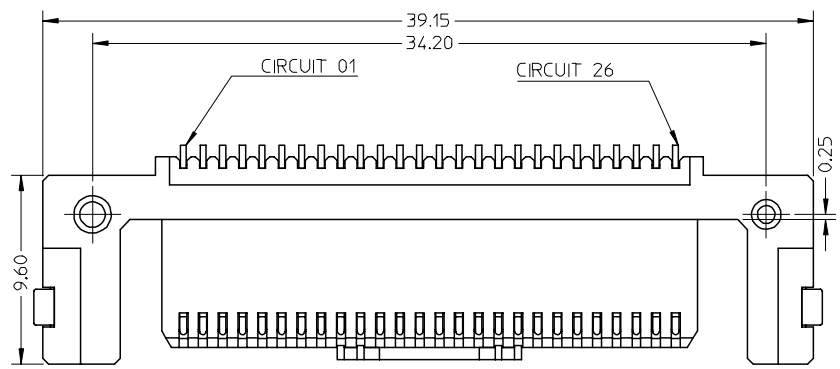
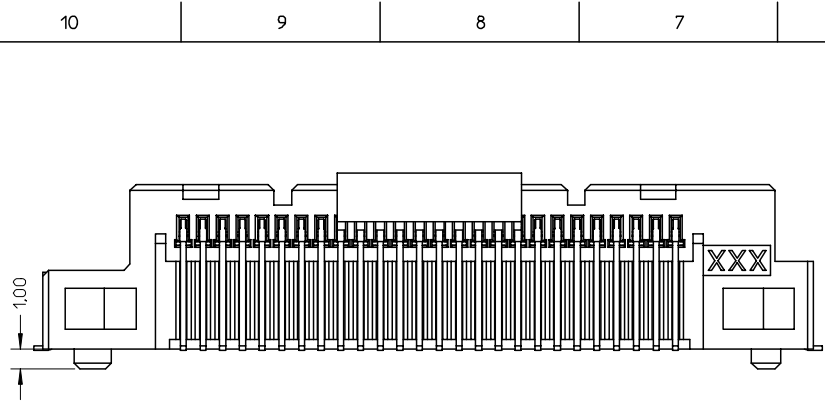
- NOTES:
- CONNECTOR DESIGN BASED ON EXPRESSCARD STANDARD,
 - COMPONENTS:
HEADER: SHEET 2
EJECTOR: SHEET 3
 - PCB LAYOUT PLEASE REFER TO SHEET 4;
 - TAIL COMPLANARITY OF HEADER TO BE 0.10 MAXIMUM;
TRUE POSITION IS 0.15 MAXIMUM BETWEEN SOLDER TAILS;
 - NON REFLOW PROCESS FOR CARD CAGE.
 - SCREW FASTENING TORQUE: 1.0 KGF-CM;
 - PRODUCT SPECIFICATION PLEASE REFER TO PS-47277-001.



CARD FULL PUSH POSITION
CARD WORKING POSITION
CARD EJECTED POSITION

<p>NEW RELEASE EC NO: SH2007-0841 DRWN:RBIAN 2007/05/31 CHKD:HWANG 2007/05/31 APPR: JNCHEN 2007/06/13</p>	QUALITY SYMBOLS	GENERAL TOLERANCES (UNLESS SPECIFIED)	DIMENSION STYLE	SCALE	DESIGN UNITS	THIRD ANGLE PROJECTION																								
	<p>▽=0 ∇=0</p>	<table border="1"> <tr><th colspan="2">mm</th><th colspan="2">INCH</th></tr> <tr><td>4 PLACES</td><td>± ---</td><td>± ---</td><td>± ---</td></tr> <tr><td>3 PLACES</td><td>± ---</td><td>± ---</td><td>± ---</td></tr> <tr><td>2 PLACES</td><td>± 0.25</td><td>± ---</td><td>± ---</td></tr> <tr><td>1 PLACE</td><td>± 0.30</td><td>± ---</td><td>± ---</td></tr> <tr><td colspan="4">ANGULAR ± 3 °</td></tr> </table>	mm		INCH		4 PLACES	± ---	± ---	± ---	3 PLACES	± ---	± ---	± ---	2 PLACES	± 0.25	± ---	± ---	1 PLACE	± 0.30	± ---	± ---	ANGULAR ± 3 °				MM ONLY	2:1	METRIC	
	mm		INCH																											
	4 PLACES	± ---	± ---	± ---																										
3 PLACES	± ---	± ---	± ---																											
2 PLACES	± 0.25	± ---	± ---																											
1 PLACE	± 0.30	± ---	± ---																											
ANGULAR ± 3 °																														
DESCRIPTION	DRAFT WHERE APPLICABLE MUST REMAIN WITHIN DIMENSIONS	<table border="1"> <tr><td>DRAWN BY</td><td>DATE</td><td>TITLE</td></tr> <tr><td>R.BIAN</td><td>2006/11/29</td><td>EXPRESSCARD 34MM BOTTOM MOUNT WITH 3.2MM STAND OFF PUSH-PUSH TYPE</td></tr> <tr><td>CHECKED BY</td><td>DATE</td><td></td></tr> <tr><td>HWANG</td><td>2006/12/04</td><td></td></tr> <tr><td>APPROVED BY</td><td>DATE</td><td></td></tr> <tr><td>JNCHEN</td><td>2006/12/05</td><td></td></tr> <tr><td>MATERIAL NO.</td><td colspan="2">DOCUMENT NO.</td></tr> <tr><td>N/A</td><td colspan="2">SD-47322-002</td></tr> </table>	DRAWN BY	DATE	TITLE	R.BIAN	2006/11/29	EXPRESSCARD 34MM BOTTOM MOUNT WITH 3.2MM STAND OFF PUSH-PUSH TYPE	CHECKED BY	DATE		HWANG	2006/12/04		APPROVED BY	DATE		JNCHEN	2006/12/05		MATERIAL NO.	DOCUMENT NO.		N/A	SD-47322-002					
DRAWN BY	DATE	TITLE																												
R.BIAN	2006/11/29	EXPRESSCARD 34MM BOTTOM MOUNT WITH 3.2MM STAND OFF PUSH-PUSH TYPE																												
CHECKED BY	DATE																													
HWANG	2006/12/04																													
APPROVED BY	DATE																													
JNCHEN	2006/12/05																													
MATERIAL NO.	DOCUMENT NO.																													
N/A	SD-47322-002																													
REV			SIZE	THIS DRAWING CONTAINS INFORMATION THAT IS PROPRIETARY TO MOLEX INCORPORATED AND SHOULD NOT BE USED WITHOUT WRITTEN PERMISSION			SHEET NO.																							
A			A3				1 OF 4																							

9 8 7 6 5 4 3 2 1



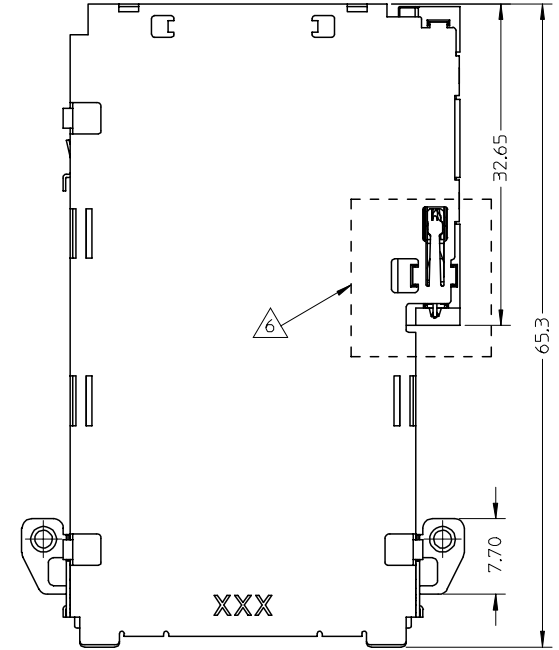
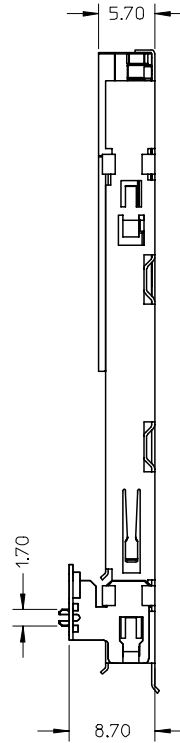
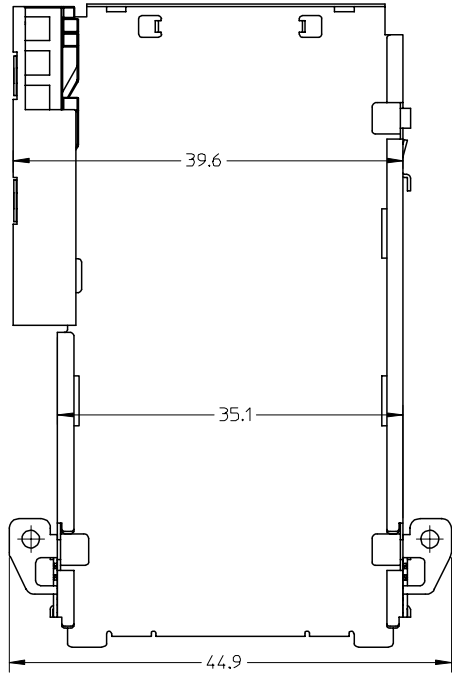
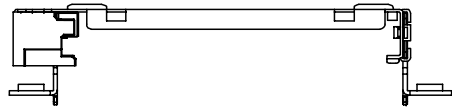
- NOTES:
- CONNECTOR DESIGN BASED ON EXPRESSCARD STANDARD,
 - MATERIAL:
HOUSING: LCP, UL94 V-0,
TERMINAL: PHOSPHOR BRONZE,
FITTING NAIL: PHOSPHOR BRONZE,
 - FINISH:
TERMINAL:
UNDERPLATING: Ni OVERALL,
SELECTIVE GOLD ON CONTACT AREA,
THICKNESS: 15 MICRINCH MINIMUM,
SELECTIVE PURE TIN ON SOLDER TAIL AREA,
THICKNESS: 40~100 MICRINCH,
 - COPLANARITY AT SOLDER TAIL TO BE 0.10 MAXIMUM,
 - APPLICABLE CARD CAGE PLEASE REFER TO SHEET 3,
 - PRODUCT SPECIFICATION PLEASE REFER TO PS-47322-001,
 - THE PART COMPLIANT TO RoHS DIRECTIVE 2002/95/EC AND ELV 2000/53/EC.

NEW RELEASE	2007/05/31
EC NO: SH2007-0841	2007/05/31
DRWN:RBIAN	2007/05/31
CHKD:HWANG	2007/05/31
APPR: JNCHEN	2007/06/13
REV	DESCRIPTION
A	

QUALITY SYMBOLS	▽=0
	▽=0

GENERAL TOLERANCES (UNLESS SPECIFIED)	mm	INCH
4 PLACES	± ---	± ---
3 PLACES	± ---	± ---
2 PLACES	± 0.25	± ---
1 PLACE	± 0.30	± ---
ANGULAR ± 3 °		
DRAFT WHERE APPLICABLE MUST REMAIN WITHIN DIMENSIONS		

DIMENSION STYLE		SCALE	DESIGN UNITS	THIRD ANGLE PROJECTION
MM ONLY		NTS	METRIC	
DRAWN BY	DATE	TITLE		
R. BIAN	2006/11/29	EXPRESSCARD 34MM BOTTOM MOUNT WITH 3.2MM STAND OFF PUSH-PUSH TYPE		
CHECKED BY	DATE			
HWANG	2006/12/04	MOLEX INCORPORATED		
APPROVED BY	DATE			
JNCHEN	2006/12/05	MATERIAL NO. 47322-0322 DOCUMENT NO. SD-47322-002 SHEET NO. 2 OF 4		
SIZE A3				



NOTES:

1. CONNECTOR DESIGN BASED ON EXPRESSCARD STANDARD;
2. THIS SLOT CAN ACCEPT ONLY 34MM EXPRESSCARD;
3. PRODUCT SPECIFICATION PLEASE REFER TO PS-47277-001;
4. MATERIAL:

COIL SPRING: PIANO WIRE

EJECTOR HOUSING: NYLON 46, UL94 V-0,

HOUSING SLOT: NYLON 46, UL94 V-0,

SHELL: STAINLESS STEEL,

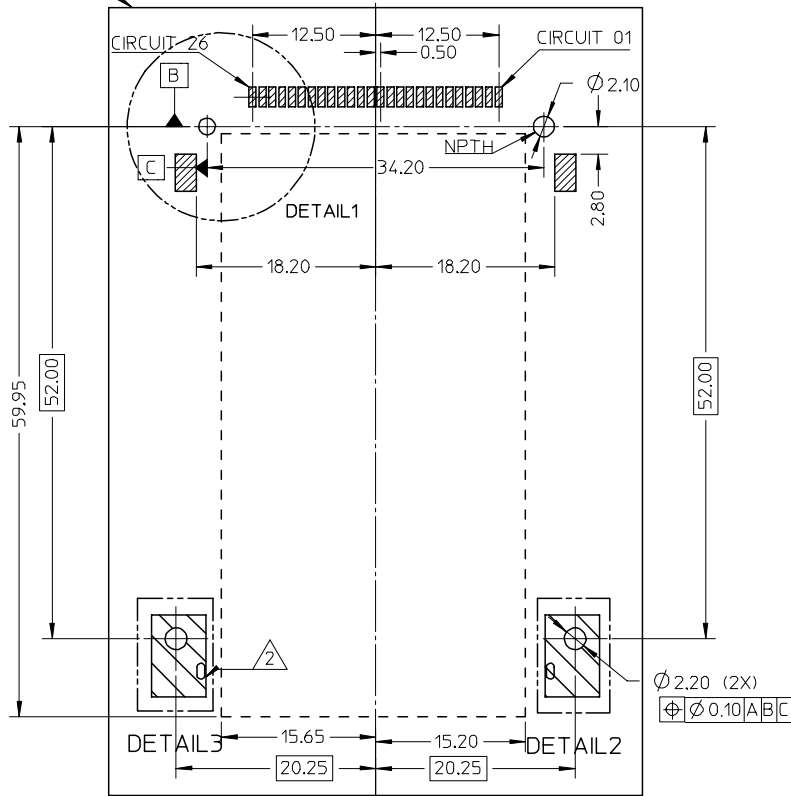
CAM PIN: STAINLESS STEEL,

5. THE PART COMPLIANT TO ROHS DIRECTIVE 2002/95/EC AND ELV 2000/53/EC.

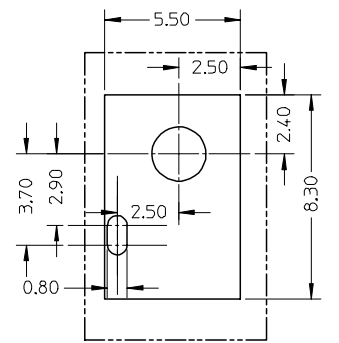
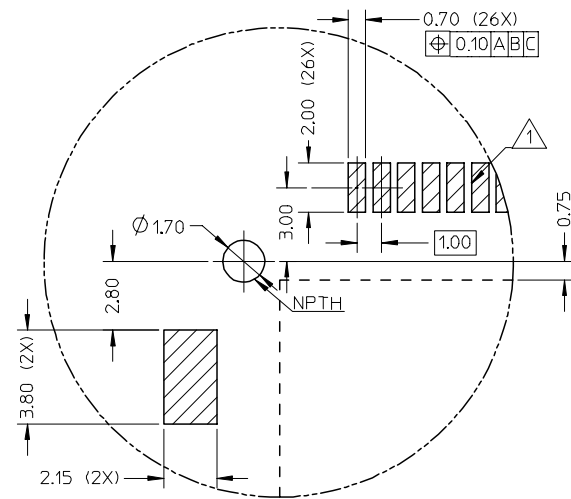
△6. ANY FORCE ON THIS AREA IS PROHIBITED.

NEW RELEASE EC NO: SH2007-0841 DRWN:RB IAN 2007/05/31 CHKD:HWANG 2007/05/31 APPR: JNCHEN 2007/06/13	DESCRIPTION REV	QUALITY SYMBOLS	GENERAL TOLERANCES (UNLESS SPECIFIED)	DIMENSION STYLE	SCALE	DESIGN UNITS	THIRD ANGLE PROJECTION																		
		$\nabla=0$ $\triangle=0$	<table border="1"> <thead> <tr> <th></th> <th>mm</th> <th>INCH</th> </tr> </thead> <tbody> <tr> <td>4 PLACES</td> <td>± ---</td> <td>± ---</td> </tr> <tr> <td>3 PLACES</td> <td>± ---</td> <td>± ---</td> </tr> <tr> <td>2 PLACES</td> <td>± 0.25</td> <td>± ---</td> </tr> <tr> <td>1 PLACE</td> <td>± 0.30</td> <td>± ---</td> </tr> <tr> <td colspan="3">ANGULAR ± 3 °</td> </tr> </tbody> </table>		mm	INCH	4 PLACES	± ---	± ---	3 PLACES	± ---	± ---	2 PLACES	± 0.25	± ---	1 PLACE	± 0.30	± ---	ANGULAR ± 3 °			MM ONLY	NTS	METRIC	
			mm	INCH																					
		4 PLACES	± ---	± ---																					
3 PLACES	± ---	± ---																							
2 PLACES	± 0.25	± ---																							
1 PLACE	± 0.30	± ---																							
ANGULAR ± 3 °																									
			DRAFT WHERE APPLICABLE MUST REMAIN WITHIN DIMENSIONS	<table border="1"> <tr> <td>DRAWN BY</td> <td>DATE</td> <td>TITLE</td> </tr> <tr> <td>R. BIAN</td> <td>2006/11/29</td> <td rowspan="2">EXPRESSCARD 34MM BOTTOM MOUNT WITH 3.2MM STAND OFF PUSH-PUSH TYPE</td> </tr> <tr> <td>CHECKED BY</td> <td>DATE</td> </tr> <tr> <td>HWANG</td> <td>2006/12/04</td> <td rowspan="2">MOLEX INCORPORATED</td> </tr> <tr> <td>APPROVED BY</td> <td>DATE</td> </tr> <tr> <td>JNCHEN</td> <td>2006/12/05</td> <td></td> </tr> </table>	DRAWN BY	DATE	TITLE	R. BIAN	2006/11/29	EXPRESSCARD 34MM BOTTOM MOUNT WITH 3.2MM STAND OFF PUSH-PUSH TYPE	CHECKED BY	DATE	HWANG	2006/12/04	MOLEX INCORPORATED	APPROVED BY	DATE	JNCHEN	2006/12/05						
DRAWN BY	DATE	TITLE																							
R. BIAN	2006/11/29	EXPRESSCARD 34MM BOTTOM MOUNT WITH 3.2MM STAND OFF PUSH-PUSH TYPE																							
CHECKED BY	DATE																								
HWANG	2006/12/04	MOLEX INCORPORATED																							
APPROVED BY	DATE																								
JNCHEN	2006/12/05																								
				MATERIAL NO.	DOCUMENT NO.	SHEET NO.																			
				47322-0323	SD-47322-002	3 OF 4																			
				THIS DRAWING CONTAINS INFORMATION THAT IS PROPRIETARY TO MOLEX INCORPORATED AND SHOULD NOT BE USED WITHOUT WRITTEN PERMISSION																					

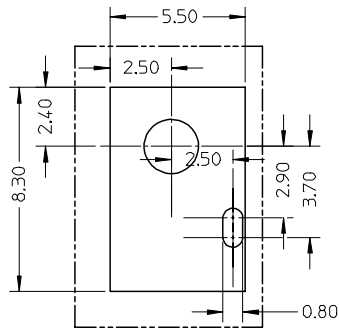
DATUM "A" IS THE TOP SURFACE OF PCB



- NOTES:
- 1. SOLDER PAD AREA
 - 2. GROUNDING PAD AREA
 - 3. STAND OFF AREA, AVAILABLE COMPONENTS HEIGHT: 2.70mm.



RECOMMENDED PCB LAYOUT
COMPONENT SIDE



<p>NEW RELEASE EC NO: SH2007-0841 DRAWN: RBIAN 2007/05/31 CHKD: HWANG 2007/05/31 APPR: JNCHEN 2007/06/13</p>	QUALITY SYMBOLS	GENERAL TOLERANCES (UNLESS SPECIFIED)		DIMENSION STYLE	SCALE	DESIGN UNITS	THIRD ANGLE PROJECTION	
	<p>▽=0 ▽C=0</p>	mm	INCH	MM ONLY	NTS	METRIC		
		4 PLACES ± --- ± ---		DRAWN BY R. BIAN DATE 2006/11/29	TITLE			
		3 PLACES ± --- ± ---		CHECKED BY HWANG DATE 2006/12/04	EXPRESSCARD 34MM BOTTOM MOUNT WITH 3.2MM STAND OFF PUSH-PUSH TYPE			
	2 PLACES ± 0.05 ± ---		APPROVED BY JNCHEN DATE 2006/12/05	MOLEX INCORPORATED				
	1 PLACE ± --- ± ---		ANGULAR ± 3 °	DOCUMENT NO. SD-47322-002				
		DRAFT WHERE APPLICABLE MUST REMAIN WITHIN DIMENSIONS		MATERIAL NO. N/A		SHEET NO. 4 OF 4		
		THIS DRAWING CONTAINS INFORMATION THAT IS PROPRIETARY TO MOLEX INCORPORATED AND SHOULD NOT BE USED WITHOUT WRITTEN PERMISSION						