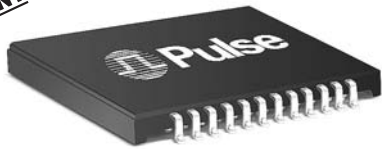


1000BASE-T LOW PROFILE MAGNETICS MODULE

Designed to Support 1:1 Turns Ratio Transceivers



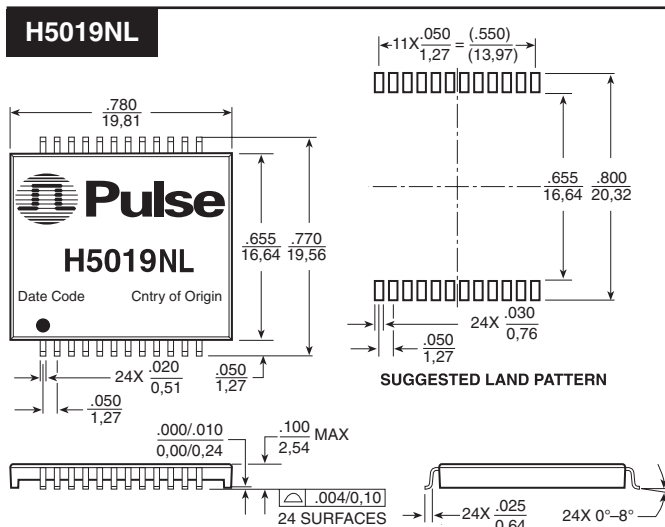
- RoHS-6 peak reflow temperature rating 245°C°
- Low profile package for mobile computer applications
- Compliant with IEEE 802.3ab standard

Electrical Specifications @ 25°C — Operating Temperature 0°C to 70°C

RoHS-6 ² Compliant Part Number ¹	Insertion Loss (dB MAX)	Return Loss (dB MIN @ 100 Ω)		Differential to Common Mode Rejection (dB MIN)	Crosstalk (dB MIN)	Hipot (Vrms MIN)
		1-100 MHz	1-40 MHz 40-100 MHz			
H5019NL ³	-1.0	-18	-12 +20*LOG10 (f/80)	-43 +22*LOG10 (f/30)	-55 +24*LOG10 (f/10)	1500

- For Tape & Reel packaging, add a "T" suffix at the end of the part number, e.g. H5019NLT.
- RoHS-6:** Product does not contain 5 out of the 6 banned substances specified in the RoHS directive. Some internal connections may contain lead in high-temperature solder (solder alloys containing more than 85% lead).
- MSL** = Moisture Sensitivity Level = 1

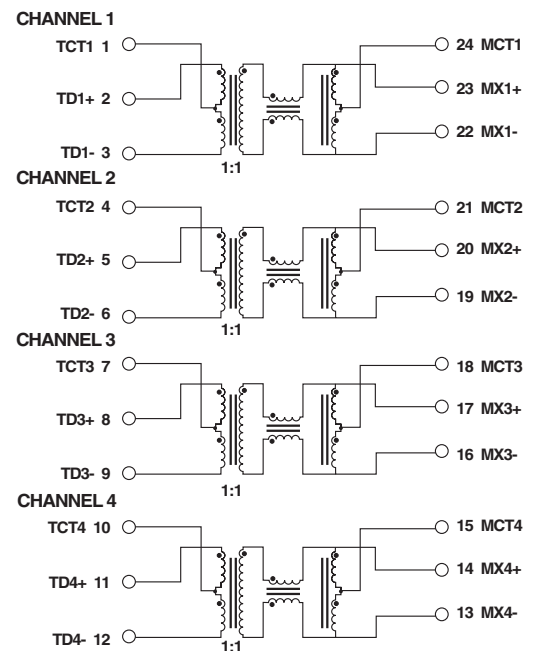
Mechanical



Weight 1.4 grams
Tape & Reel700
Tube25

Dimensions: $\frac{\text{Inches}}{\text{mm}}$
Unless otherwise specified,
all tolerances are $\pm \frac{.010}{0.25}$

Schematic



For More Information:

Pulse Worldwide Headquarters 12220 World Trade Dr. San Diego, CA 92128 U.S.A. Tel: 858 674 8100 Fax: 858 674 8262	Pulse Europe Einsteinstrasse 1 D-71083 Herrenberg Germany Tel: 49 7032 7806 0 Fax: 49 7032 7806 135	Pulse China Headquarters B402, Shenzhen Tech-Innovation International Tenth Kejinan Rd. High-Tech Industrial Park Nanshan District, Shenzhen China Tel: 86 755 33966678 Fax: 86 755 33966700	Pulse North China Room 1503 XinYin Building No. 888 YiShan Rd. Shanghai 200233 China Tel: 86 21 54643211/2 Fax: 86 21 54643210	Pulse South Asia 150 Kampong Ampat #07-01/02 KA Centre Singapore 368324 Tel: 65 6287 8998 Fax: 65 6280 0080	Pulse North Asia No. 26, Kao Ching Rd. Yang Mei Chen Taoyuan Hsien Taiwan R. O. C. Tel: 886 3 4641811 Fax: 886 3 4641911
---	---	---	--	--	--

Performance warranty of products offered on this data sheet is limited to the parameters specified. Data is subject to change without notice. Other brand and product names mentioned herein may be trademarks or registered trademarks of their respective owners.
© Copyright, 2007. Pulse Engineering, Inc. All rights reserved.