

# JAPAN ADSL POTS SPLITTER FOR CPE

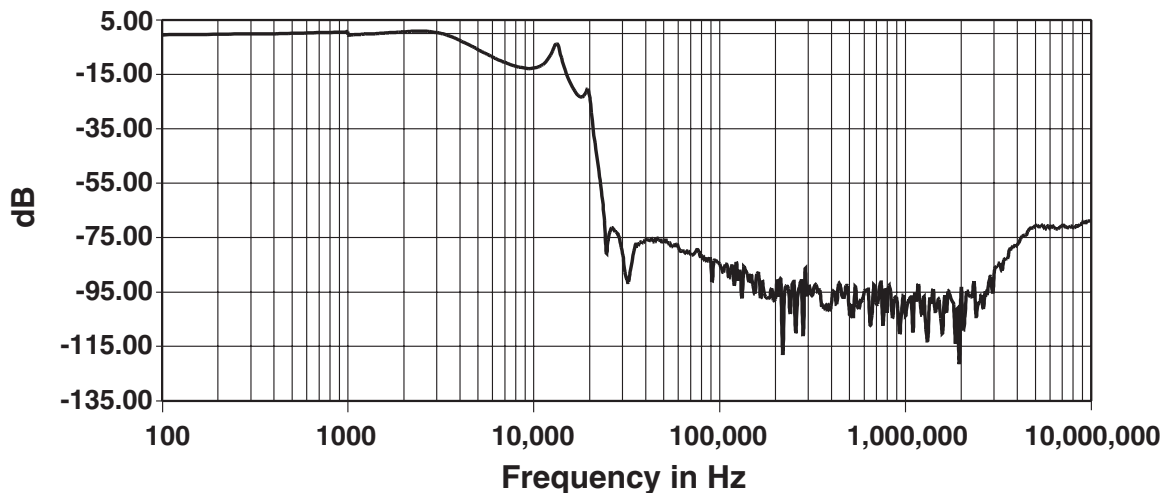


- Compact size, color and telephone cord options
- Low Pass Filter meets ITU-G.992.1 type E4 Japan
- Designs meet ITU-K.21 Lightning Surge Protection\*
- JATE Certification approval
- Light weight and easy installation

**Electrical Specifications @ 25°C — Operating Temperature -40°C to +85°C  
B2351/B2351A/B2396.XXX**

PARAMETERS	SPECIFICATIONS
DC Current	120 mA MAX
POTS Impedance	600 Ω
DCR each line	20 Ω MAX
Filter Characteristics	POTS/Loops/Modem
Voice Band Delay Distortion	250 μsec
POTS Splitter Insertion Loss	
1.0 kHz	±1.0 dB
200 Hz to 3.4 kHz	±1.0 dB
3.4 kHz to 4.0 kHz	±1.5 dB
Return Loss (Reference Impedance) - ZNL-r	
200 Hz	-11 dB MIN
1.5 kHz	-10 dB MIN
2.0 kHz	-9 dB MIN
3.4 kHz	-9 dB MIN
POTS Longitudinal Balance	>58 dB
ADSL Attenuation (30 kHz - 1.1 MHz)	-65 dB MIN
ADSL Disruption (30 kHz - 1.1 MHz)	-0.25 dB MAX

## Frequency Response of ADSL POTS Filter



\*NOTE: Except B2396.X0X which is without circuit protection. Protection circuitry is included in model numbers B2351A and B2396.X1X. Please reference the part numbering system on the following pages.

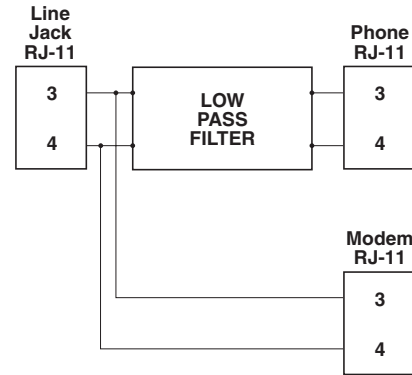
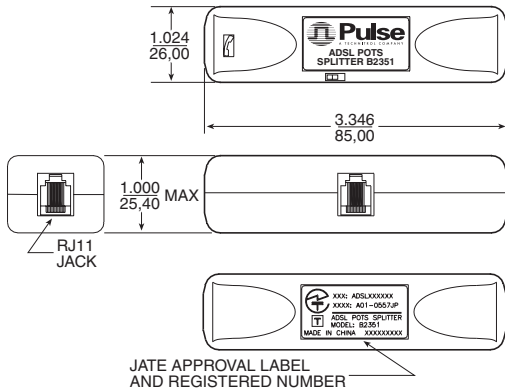
# JAPAN ADSL POTS SPLITTER FOR CPE



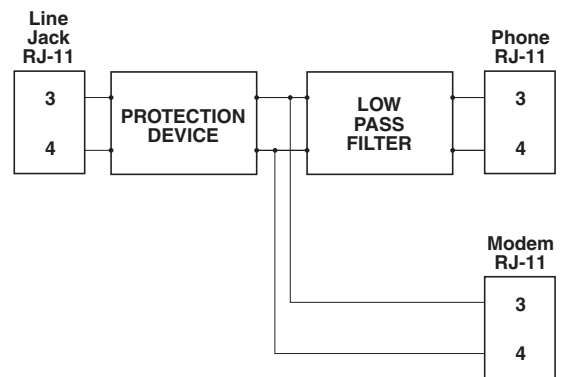
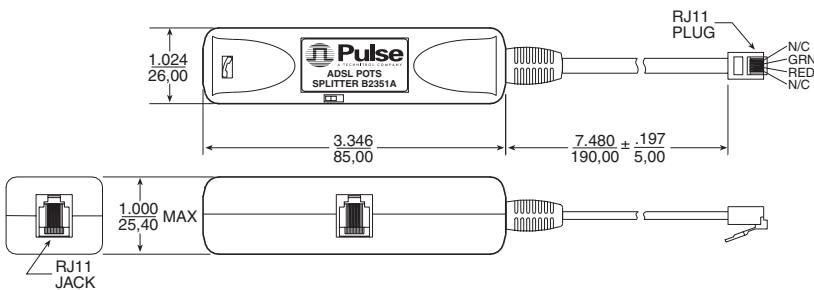
## Mechanicals

## Schematics

### B2351



### B2351A



## Part Numbering System

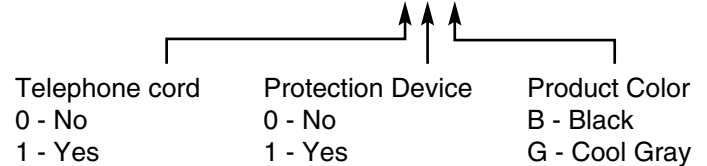
### B2351

Without telephone cord and protection device

### B2351A

With telephone cord and protection device

### B2396.XXX



**NOTE:** POTS terminals may produce common mode impulses which will pass through a differential mode filter and cause bit-errors in the DSL modem. This may happen when there is a phone transient. POTS line cards may produce them at the start/stop of the ringing cadence. Another source of troublesome common mode signal can be from switched mode power supplies as typically used in fax machines and laptops. A common mode filter is required to reduce these problems.

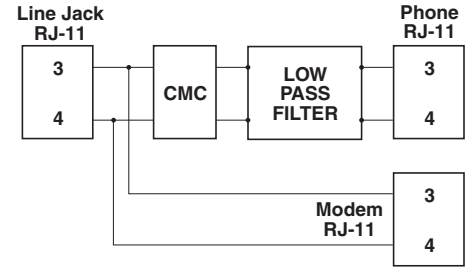
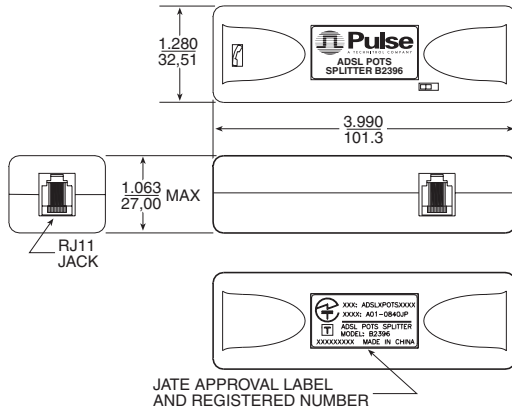
# JAPAN ADSL POTS SPLITTER FOR CPE



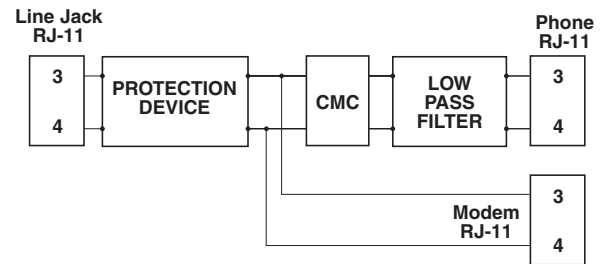
## Mechanicals

## Schematics

### B2396.0XX

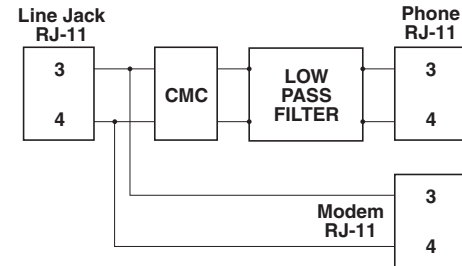
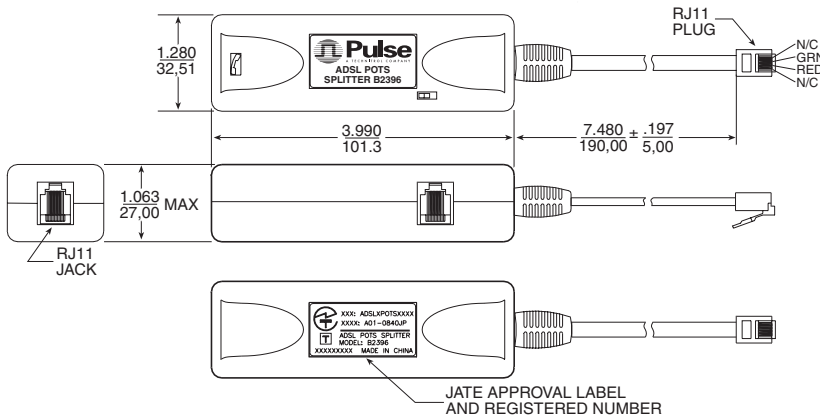


B2396.00X — without cable, without protection device

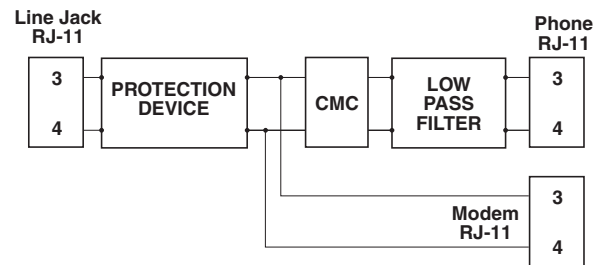


B2396.01X — without cable, with protection device

### B2396.1XX



B2396.10X — with cable, without protection device



B2396.11X — with cable, with protection device

## For More Information :

### UNITED STATES (Worldwide)

12220 World Trade Drive  
San Diego, CA 92128  
U.S.A.  
<http://www.pulseeng.com>  
TEL: 858 674 8100  
FAX: 858 674 8262

### UNITED KINGDOM (Northern Europe)

1 & 2 Huxley Road  
The Surrey Research Park  
Guildford, Surrey GU2 5RE  
United Kingdom  
TEL: 44 1483 401700  
FAX: 44 1483 401701

### FRANCE (Southern Europe)

Zone Industrielle  
F-39270  
Orgelet  
France  
TEL: 33 3 84 35 04 04  
FAX: 33 3 84 25 46 41

### SINGAPORE (Southern Asia)

150 Kampong Ampat  
#07-01/02  
KA Centre  
Singapore 368324  
TEL: 65 287 8998  
FAX: 65 280 0080

### TAIWAN, R.O.C. (Northern Asia)

3F-4, No. 81, Sec. 1  
HsinTai Wu Road  
Hsi-Chih, Taipei Hsien  
Taiwan, R.O.C.  
Tel: 886 2 2698 0228  
FAX: 886 2 2698 0948

### HONG KONG (China/Hong Kong)

19/F, China United Plaza  
1008 Tai Nan West Street  
Cheung Sha Wan, Kowloon  
Hong Kong, China  
TEL: 852 2788 6588  
FAX: 852 2776 1055

### DISTRIBUTOR

Performance warranty of products offered on this data sheet is limited to the parameters specified. Data is subject to change without notice. Other brand and product names mentioned herein may be trademarks or registered trademarks of their respective owners.