

UNDER DEVELOPMENT  
TTE USE ONLY

**Type: AS637**

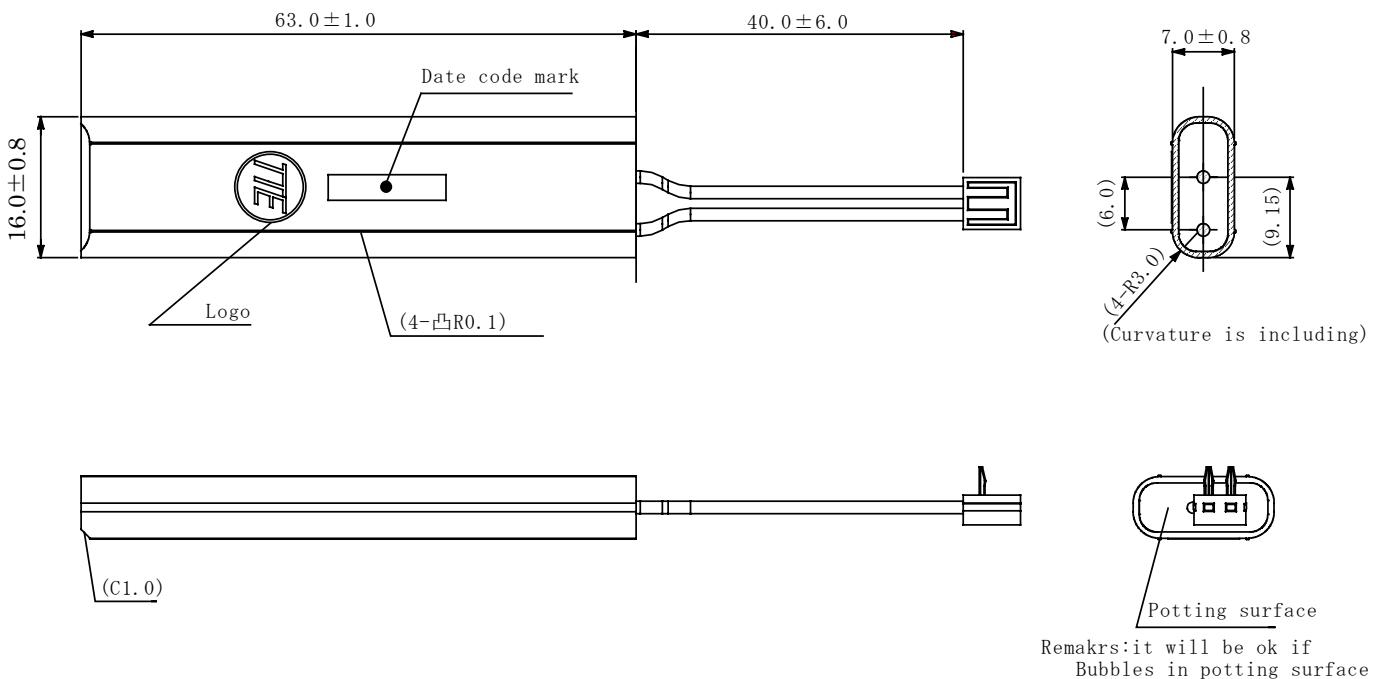
◆ **Product Description**

- 64.0 × 16.8mm Max.(L × W), 7.8mm Max. Height.
- Operating temperature: -40°C ~ +85°C.

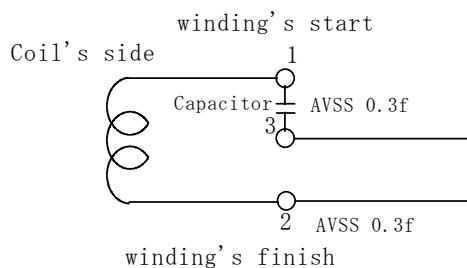
◆ **Feature**

- LF transponder Transmitter antenna (Motorcycle Antenna Coil).
- Ideally used in keyless smart entry system.
- RoHS Compliance.

◆ **Dimensions (mm)**



◆ **Schematics (Bottom)**



**Type: AS637**
**◆ Specification**

	(2-3)	MEASURING CONDITIONS
Resonant frequency range	132.0kHz ± 1.0kHz WITHIN	at 25°C
Resonant Current	1.4Ap-p(Ref.)	132kHz (at 25°C)

**◆ Test Circuit**
