

FEATURES

- RoHS compliant
- Logic translation
- Bi-Directional
- Invert / non-invert
- TTL-CMOS conversion
- Toroidal construction
- Low profile
- 500Vrms isolation
- Backward compatible with Sn/Pb soldering systems

DESCRIPTION

The 1600 series are quad isolation transformer packs for use in digital circuits. They are particularly suited to isolating microprocessor bus connections and performing logic level translation. Being completely passive, power savings are offered over opto-coupled or emitter follower solutions.

SELECTION GUIDE

Order Code	Type	Function	Turns Ratio	Max. Pulse Width	Typ. Primary Inductance	Typ. Inerwinding Capacitance
				µs	mH	pF
1600C	Quad isolator	5V to 5V logic isolation	1:1	5	3	60
1630C	Quad isolator	5V to 15V logic isolation	1:3	2.6	1	34

ABSOLUTE MAXIMUM RATINGS

Operating free air temperature range	0°C to 70°C
Storage temperature range	-40°C to 125°C
Isolation voltage (flash tested for 1 second)	500Vrms
Insulation resistance at 500Vdc	>10GΩ

SOLDERING INFORMATION²

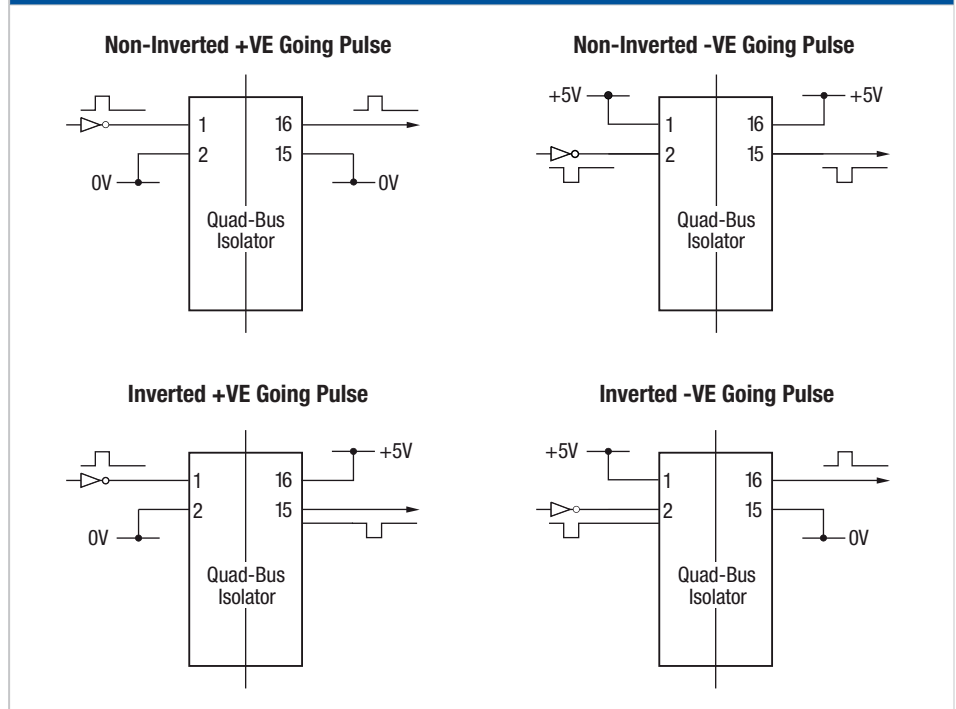
Peak wave solder temperature, 1.5mm from case	300°C for 10 seconds
Pin finish	Matte tin

1 The maximum pulse width limit to be applied to the repetition curve.

2 For further information, please visit www.murata-ps.com/rohs

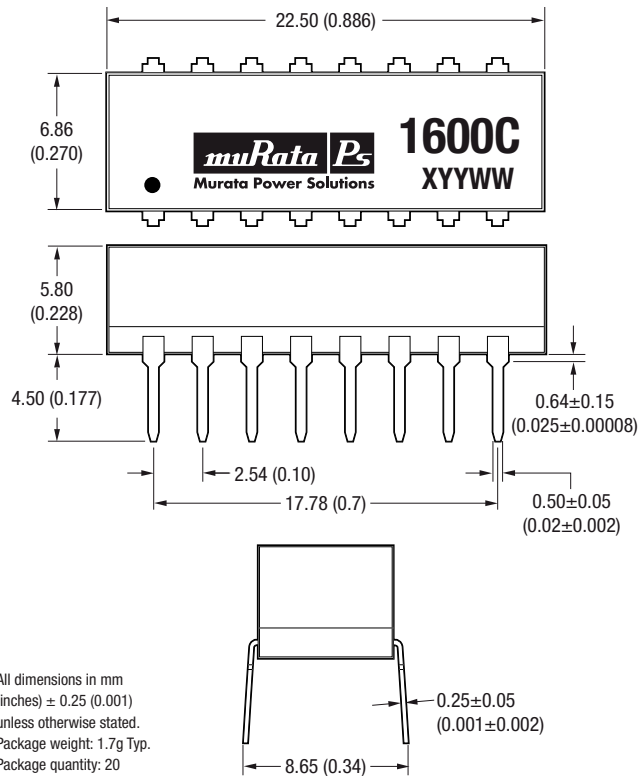
All specifications typical at T_A=25°C.

OPERATIONAL CONFIGURATIONS



PACKAGE SPECIFICATIONS

MECHANICAL DIMENSIONS



PIN CONNECTIONS

