

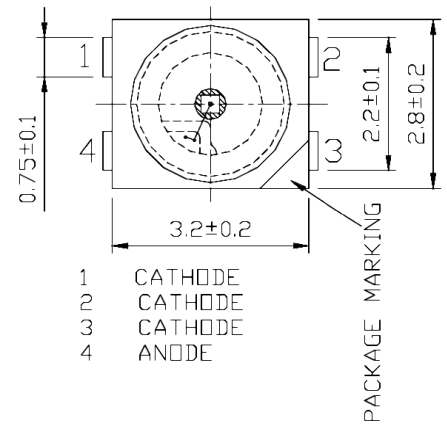
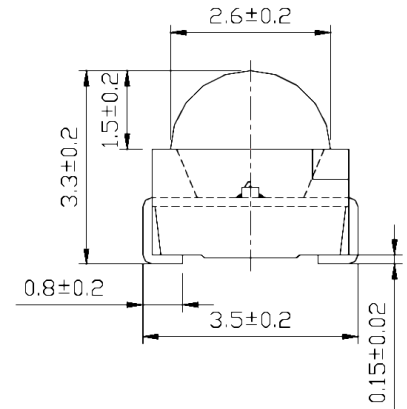
LM2-TYL1-F1

Features

High Intensity
High Reliability

Applications

Traffic Light
Backlighting
Automotive Use
Marker Lights
Signal and Symbol Luminaire



Maximum Ratings (Ta=25°C)

Characteristic	Symbol	Max.	Unit
Forward Current	I _F	70	mA
Reverse Voltage	V _R	5	V
Power Dissipation	P _D	225.00	mW
Operating Temperature	T _{opr}	-40 ~ +100	°C
Storage Temperature	T _{stg}	-40 ~ +100	°C
Soldering Temperature	T _{sol}	260	°C
Soldering Time	-	for 5 sec. max	-

Opto-Electrical Characteristics (Ta=25°C)

Characteristic	Symbol	Test Condition	Min	Typ	Max	Unit
Forward Voltage	V _F	I _F =50mA	-	2.60	3.20	V
Reverse Current	I _R	V _R =5V	-	-	10	μA
Luminous Intensity	I _v	I _F =50mA	900.00	1650.00	-	mcd
Viewing Angle	2θ ^{1/2}	-	-	60°	-	deg.
Peak Wavelength	λ _p	I _F =50mA	-	594	-	nm
Dominant Wavelength	λ _d	I _F =50mA	-	591	-	nm
Spectral Line Half Width	Δλ	I _F =50mA	-	20	-	nm

Company Headquarters

120 Broadway
Menands, New York 12204
Toll Free: 800.984.5337
Fax: 518.432.7454



Web: www.marktechopto.com | Email: info@marktechopto.com

West Coast Sales Office

950 South Coast Drive, Suite 265
Costa Mesa, California 92626
Toll Free: 800.984.5337
Fax: 714.850.9314

LM2-TYL1-F1

Graphs

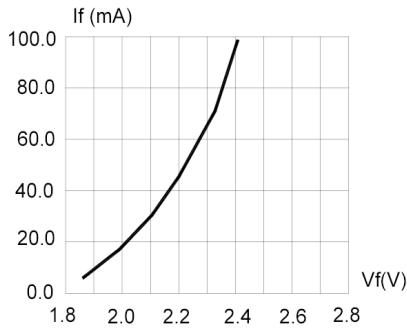


FIG.1 FORWARD CURRENT VS. FORWARD VOLTAGE.

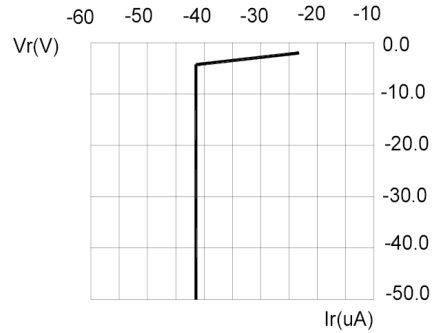


FIG.2 REVERSE CURRENT VS. REVERSE VOLTAGE.

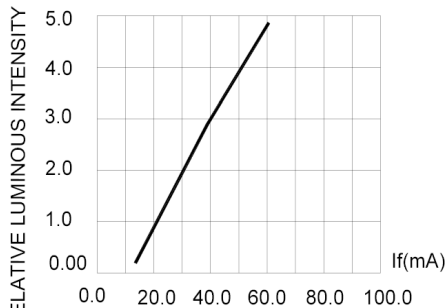


FIG.3 FORWARD CURRENT.

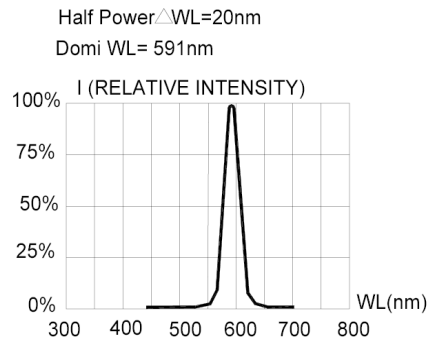


FIG.4 RELATIVE INTENSITY VS. WAVE LENGTH.

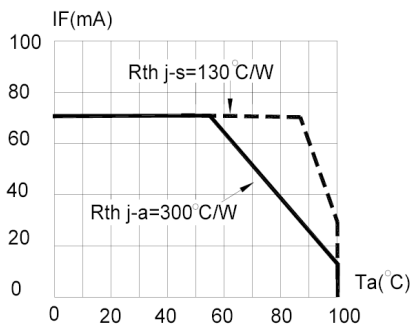


FIG.5 MAXIMUM FORWARD DC CURRENT VS TEMPERATURE. DERATING BASED ON $T_{jmax} = 110^{\circ}$ C

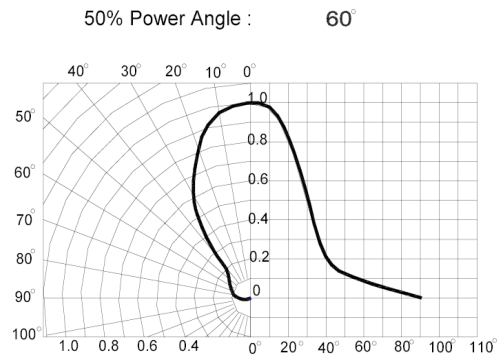


FIG.6 SPATIAL DISTRCCBUTION.