

# FLASH MEMORY

CMOS

## 32 M (4 M × 8/2 M × 16) BIT Dual Operation

### MBM29DL32TF/BF-70

#### DESCRIPTION

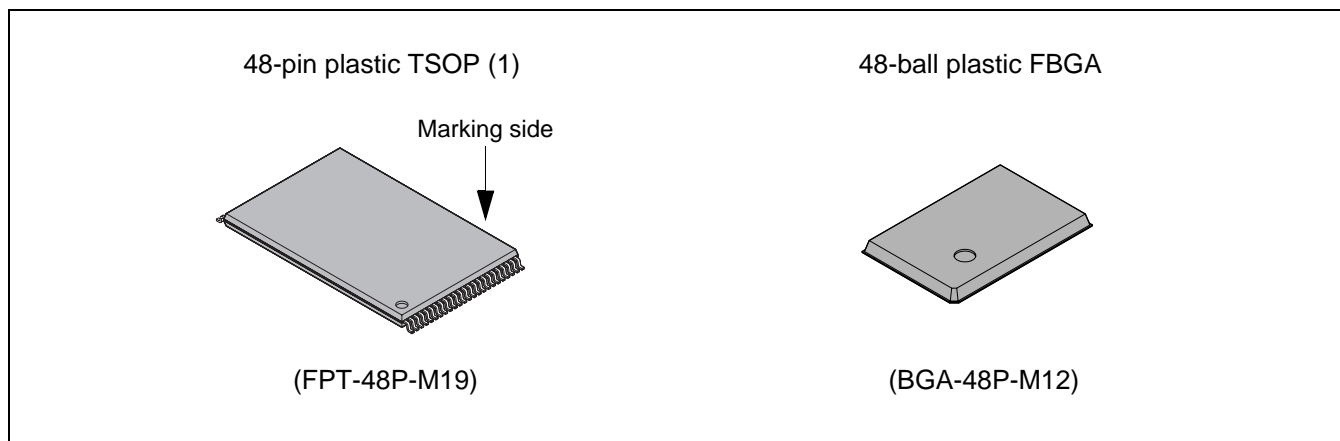
The MBM29DL32TF/BF are a 32 M-bit, 3.0 V-only Flash memory organized as 4 M bytes of 8 bits each or 2 M words of 16 bits each. These devices are designed to be programmed in-system with the standard system 3.0 V  $V_{CC}$  supply. 12.0 V  $V_{PP}$  and 5.0 V  $V_{CC}$  are not required for write or erase operations. The devices can also be reprogrammed in standard EPROM programmers.

(Continued)

#### PRODUCT LINE UP

Part No.	MBM29DL32TF/BF
	70
Power Supply Voltage (V)	$V_{CC} = 3.0 \text{ V} \begin{matrix} +0.6 \text{ V} \\ -0.3 \text{ V} \end{matrix}$
Max Access Time (ns)	70
Max $\overline{CE}$ Access Time (ns)	70
Max $\overline{OE}$ Access Time (ns)	30

#### PACKAGES



# MBM29DL32TF/BF-70

(Continued)

MBM29DL32TF/BF are organized into four physical banks; Bank A, Bank B, Bank C and Bank D, which are considered to be four separate memory arrays operations. It is the Fujitsu's standard 3.0 V only Flash memories, with the additional capability of allowing a normal non-delayed read access from a non-busy bank of the array while an embedded write (either a program or an erase) operation is simultaneously taking place on the other bank.

In the device, a new design concept called FlexBank™\*1 Architecture is implemented. Using this concept the device can execute simultaneous operation between Bank 1, a bank chosen from among the four banks, and Bank 2, a bank consisting of the three remaining banks. This means that any bank can be chosen as Bank 1. (Refer to "1. Simultaneous Operation" in "FUNCTIONAL DESCRIPTION".)

The standard device offers access time 70 ns, allowing operation of high-speed microprocessors without the wait. To eliminate bus contention the device has separate chip enable ( $\overline{CE}$ ), write enable ( $\overline{WE}$ ) and output enable ( $\overline{OE}$ ) controls.

This device consists of pin and command set compatible with JEDEC standard E<sup>2</sup>PROMs. Commands are written to the command register using standard microprocessor write timings. Register contents serve as input to an internal state-machine which controls the erase and programming circuitry. Write cycles also internally latch addresses and data needed for the programming and erase operations. Reading data out of the device is similar to reading from 5.0 V and 12.0 V Flash or EPROM devices.

The device is programmed by executing the program command sequence. This will invoke the Embedded Program Algorithm™ which is an internal algorithm that automatically times the program pulse widths and verifies proper cell margin. Typically each sector can be programmed and verified in about 0.5 seconds. Erase is accomplished by executing the erase command sequence. This will invoke the Embedded Erase Algorithm™ which is an internal algorithm that automatically preprograms the array if it is not already programmed before executing the erase operation. During erase, the device automatically times the erase pulse widths and verifies the proper cell margin.

Each sector is typically erased and verified in 0.5 second (if already completely preprogrammed) .

The device also features a sector erase architecture. The sector mode allows each sector to be erased and reprogrammed without affecting other sectors. The device is erased when shipped from the factory.

The device features single 3.0 V power supply operation for both read and write functions. Internally generated and regulated voltages are provided for the program and erase operations. A low  $V_{CC}$  detector automatically inhibits write operations on the loss of power. The end of program or erase is detected by  $\overline{Data}$  Polling of DQ<sub>7</sub>, by the Toggle Bit feature on DQ<sub>6</sub>, or the RY/ $\overline{BY}$  output pin. Once the end of a program or erase cycle has been completed, the device internally returns to the read mode.

The device also has a hardware  $\overline{RESET}$  pin. When this pin is driven low, execution of any Embedded Program Algorithm or Embedded Erase Algorithm is terminated. The internal state machine is then reset to the read mode. The  $\overline{RESET}$  pin may be tied to the system reset circuitry. Therefore if a system reset occurs during the Embedded Program™\*2 Algorithm or Embedded Erase™\*2 Algorithm, the device is automatically reset to the read mode and have erroneous data stored in the address locations being programmed or erased. These locations need rewriting after the Reset. Resetting the device enables the system's microprocessor to read the boot-up firmware from the Flash memory.

Fujitsu's Flash technology combines years of Flash memory manufacturing experience to produce the highest levels of quality, reliability, and cost effectiveness. The device memory electrically erases the entire chip or all bits within a sector simultaneously via Fowler-Nordhiem tunneling. The bytes/words are programmed one byte/word at a time using the EPROM programming mechanism of hot electron injection.

\*1: FlexBank™ is a trademark of Fujitsu Limited.

\*2: Embedded Erase™ and Embedded Program™ are trademarks of Advanced Micro Devices, Inc.

## ■ FEATURES

- **0.17  $\mu\text{m}$  Process Technology**
- **Two-bank Architecture for Simultaneous Read/Program and Read/Erase**
- **FlexBank™**  
 Bank A : 4 Mbit (8 KB  $\times$  8 and 64 KB  $\times$  7)  
 Bank B : 12 Mbit (64 KB  $\times$  24)  
 Bank C : 12 Mbit (64 KB  $\times$  24)  
 Bank D : 4 Mbit (64 KB  $\times$  8)  
 Two virtual Banks are chosen from the combination of four physical banks (Refer to “FlexBank™ Architecture Table” and “Example of Virtual Banks Combination Table” in ■FUNCTIONAL DESCRIPTION)  
 Host system can program or erase in one bank, and then read immediately and simultaneously from the other bank with zero latency between read and write operations.  
 Read-while-erase  
 Read-while-program
- **Single 3.0 V Read, Program, and Erase**  
 Minimizes system level power requirements
- **Compatible with JEDEC-standard Commands**  
 Uses same software commands as E<sup>2</sup>PROMs
- **Compatible with JEDEC-standard World-wide Pinouts**  
 48-pin TSOP (1) (Package suffix : TN – Normal Bend Type)  
 48-ball FBGA (Package suffix : PBT)
- **Minimum 100,000 Program/Erase Cycles**
- **High Performance**  
 70 ns maximum access time
- **Sector Erase Architecture**  
 Eight 4 K word and sixty-three 32 K word sectors in word mode  
 Eight 8 K byte and sixty-three 64 K byte sectors in byte mode  
 Any combination of sectors can be concurrently erased. Also supports full chip erase.
- **Boot Code Sector Architecture**  
 T = Top sector  
 B = Bottom sector
- **HiddenROM Region**  
 256 byte of HiddenROM, accessible through a new “HiddenROM Enable” command sequence  
 Factory serialized and protected to provide a secure electronic serial number (ESN)
- **$\overline{\text{WP}}/\text{ACC}$  Input Pin**  
 At  $V_{\text{IL}}$ , allows protection of “outermost” 2  $\times$  8 bytes on boot sectors, regardless of sector group protection/unprotection status.  
 At  $V_{\text{ACC}}$ , increases program performance
- **Embedded Erase™\* Algorithms**  
 Automatically pre-programs and erases the chip or any sector
- **Embedded Program™\* Algorithms**  
 Automatically writes and verifies data at specified address
- **Data Polling and Toggle Bit feature for detection of program or erase cycle completion**
- **Ready/Busy Output (RY/ $\overline{\text{BY}}$ )**  
 Hardware method for detection of program or erase cycle completion
- **Automatic Sleep Mode**  
 When addresses remain stable, automatically switch themselves to low power mode.

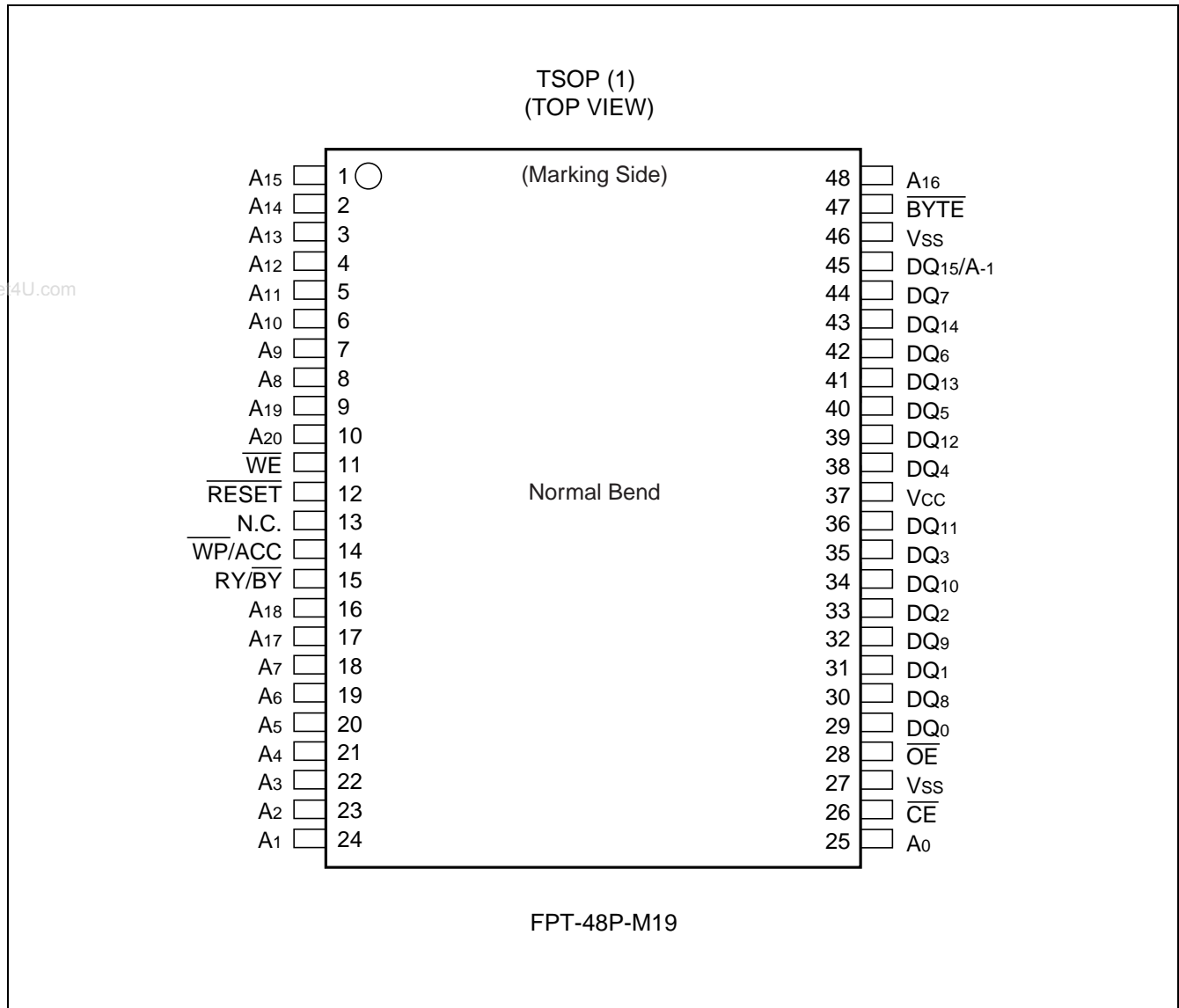
(Continued)

(Continued)

- **Low V<sub>CC</sub> write inhibit  $\leq 2.5$  V**
- **Erase Suspend/Resume**  
Suspends the erase operation to allow a read data and/or program in another sector within the same device
- **Sector Group Protection**  
Hardware method disables any combination of sector groups from program or erase operations
- **Sector Group Protection Set function by Extended sector group protection command**
- **Fast Programming Function by Extended Command**
- **Temporary Sector Group Unprotection**  
Temporary sector group unprotection via the  $\overline{\text{RESET}}$  pin.
- **In accordance with CFI (Common Flash Memory Interface)**

\*: Embedded Erase™ and Embedded Program™ are trademarks of Advanced Micro Devices, Inc.

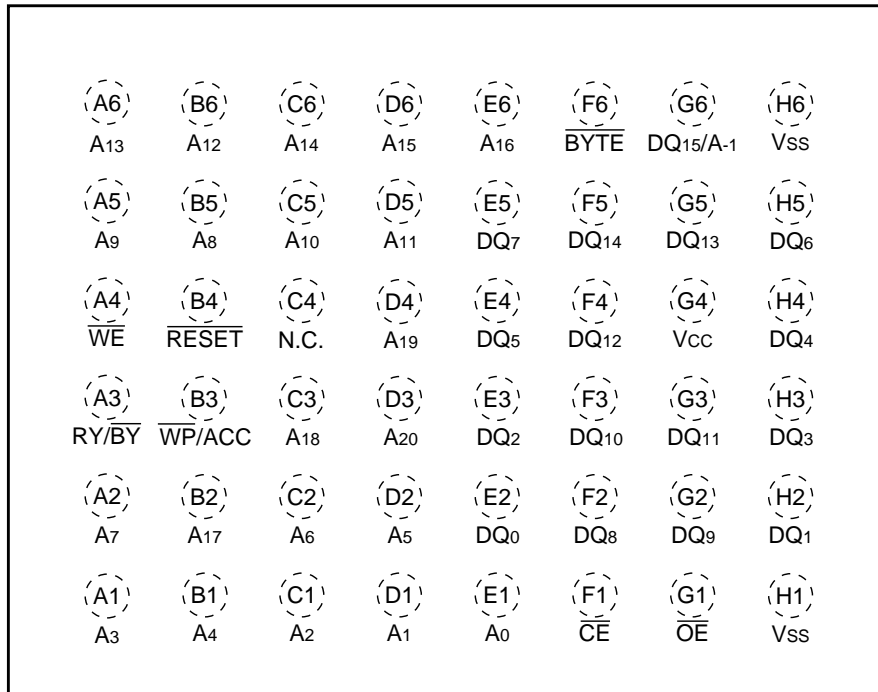
## ■ PIN ASSIGNMENTS



(Continued)

(Continued)

FPGA  
(TOP VIEW)  
Marking side



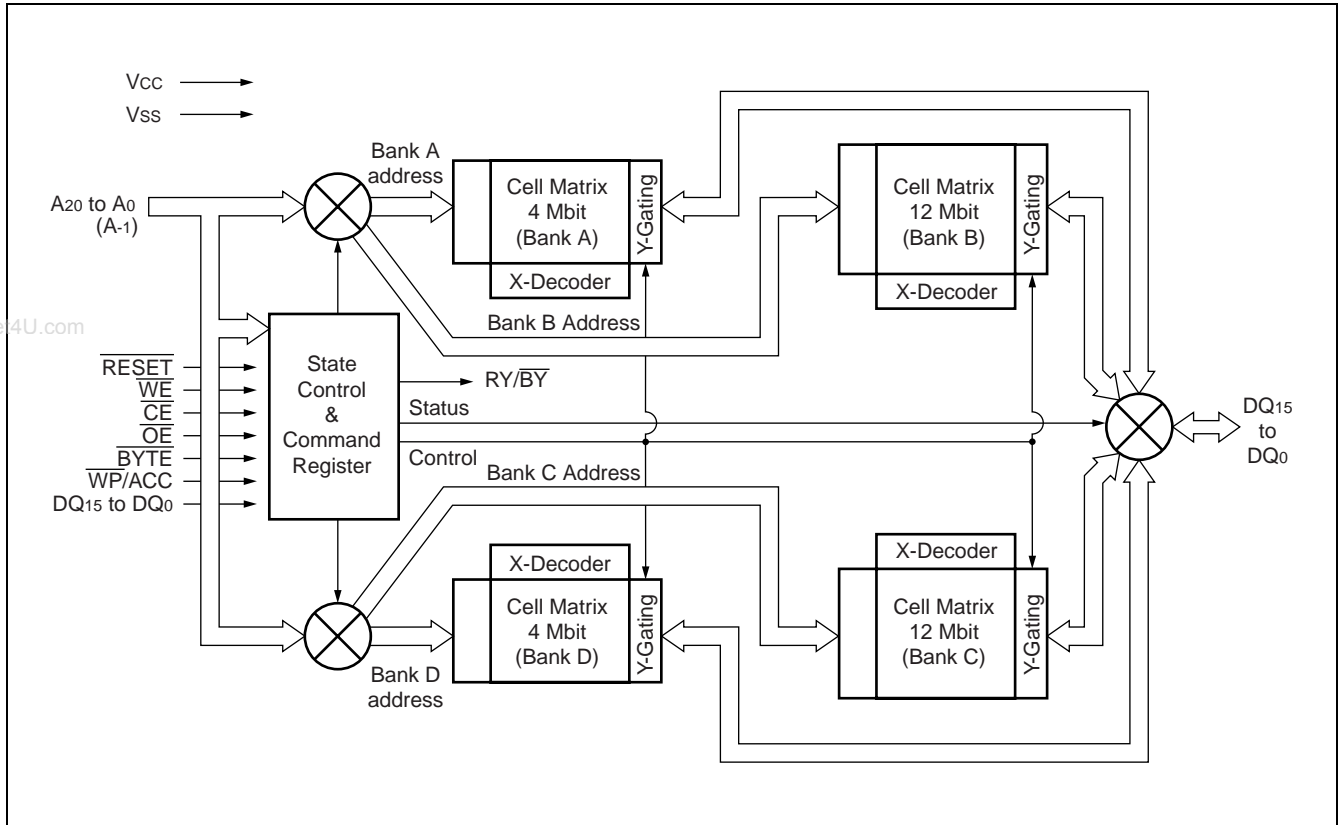
(BGA-48P-M12)

## ■ PIN DESCRIPTION

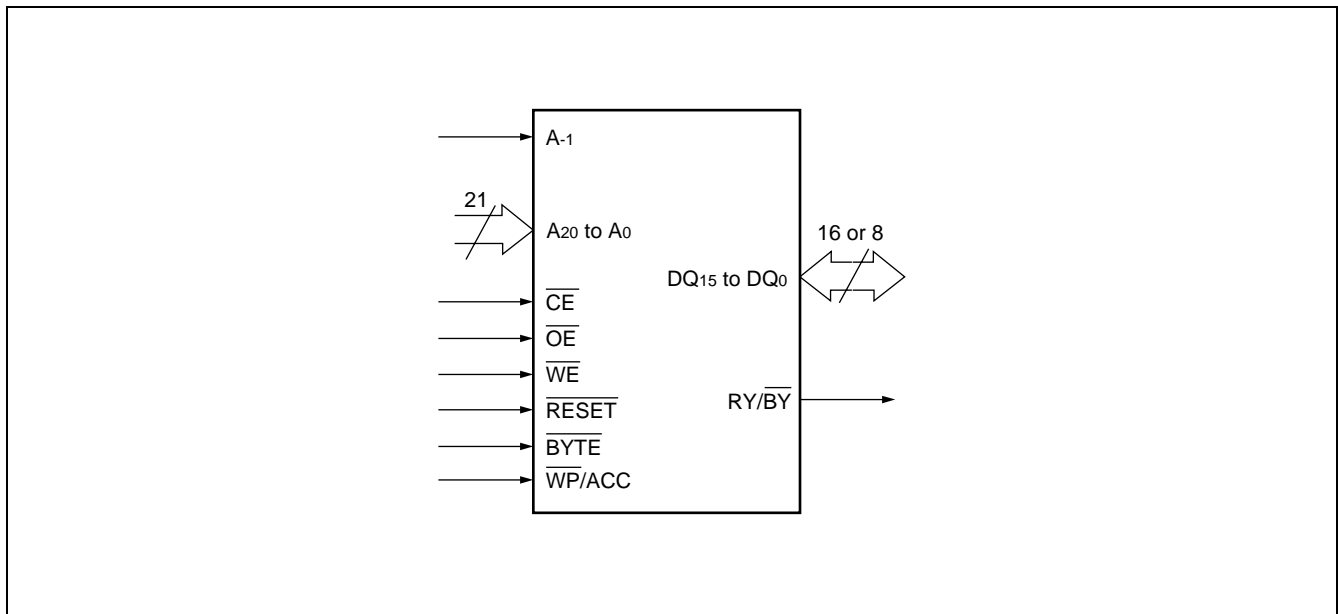
Pin	Function
A <sub>20</sub> to A <sub>0</sub> , A <sub>-1</sub>	Address Input
DQ <sub>15</sub> to DQ <sub>0</sub>	Data Input/Output
$\overline{\text{CE}}$	Chip Enable
$\overline{\text{OE}}$	Output Enable
$\overline{\text{WE}}$	Write Enable
$\overline{\text{RESET}}$	Hardware Reset Pin/Temporary Sector Group Unprotection
RY/ $\overline{\text{BY}}$	Ready/Busy Output
$\overline{\text{BYTE}}$	Selects 8-bit or 16-bit mode
$\overline{\text{WP/ACC}}$	Hardware Write Protection/Program Acceleration
V <sub>CC</sub>	Device Power Supply
V <sub>SS</sub>	Device Ground
N.C.	No Internal Connection

# MBM29DL32TF/BF-70

## ■ BLOCK DIAGRAM




## ■ LOGIC SYMBOL






## ■ DEVICE BUS OPERATION

MBM29DL32TF/BF User Bus Operations Table (Word mode :  $\overline{\text{BYTE}} = V_{IH}$ )

Operation	$\overline{\text{CE}}$	$\overline{\text{OE}}$	$\overline{\text{WE}}$	A <sub>0</sub>	A <sub>1</sub>	A <sub>2</sub>	A <sub>3</sub>	A <sub>6</sub>	A <sub>9</sub>	DQ <sub>15</sub> to DQ <sub>0</sub>	$\overline{\text{RESET}}$	$\overline{\text{WP/ACC}}$
Standby	H	X	X	X	X	X	X	X	X	High-Z	H	X
Auto-Select Manufacturer Code *1	L	L	H	L	L	L	L	L	V <sub>ID</sub>	Code	H	X
Auto-Select Device Code *1	L	L	H	H	L	L	L	L	V <sub>ID</sub>	Code	H	X
Extended Auto-Select Device Code *1	L	L	H	L	H	H	H	L	V <sub>ID</sub>	Code	H	X
	L	L	H	H	H	H	H	L	V <sub>ID</sub>	Code	H	X
Read *3	L	L	H	A <sub>0</sub>	A <sub>1</sub>	A <sub>2</sub>	A <sub>3</sub>	A <sub>6</sub>	A <sub>9</sub>	D <sub>OUT</sub>	H	X
Output Disable	L	H	H	X	X	X	X	X	X	High-Z	H	X
Write (Program/Erase)	L	H	L	A <sub>0</sub>	A <sub>1</sub>	A <sub>2</sub>	A <sub>3</sub>	A <sub>6</sub>	A <sub>9</sub>	D <sub>IN</sub>	H	X
Enable Sector Group Protection *2, *4	L	V <sub>ID</sub>		L	H	L	L	L	V <sub>ID</sub>	X	H	X
Verify Sector Group Protection *2, *4	L	L	H	L	H	L	L	L	V <sub>ID</sub>	Code	H	X
Temporary Sector Group Unprotection *5	X	X	X	X	X	X	X	X	X	X	V <sub>ID</sub>	X
Reset (Hardware) /Standby	X	X	X	X	X	X	X	X	X	High-Z	L	X
Boot Block Sector Write Protection	X	X	X	X	X	X	X	X	X	X	X	L

Legend : L = V<sub>IL</sub>, H = V<sub>IH</sub>, X = V<sub>IL</sub> or V<sub>IH</sub>,  = Pulse input. See "■DC CHARACTERISTICS" for voltage levels.

\*1: Manufacturer and device codes may also be accessed via a command register write sequence. See "MBM29DL32TF/BF Command Definitions Table".

\*2: Refer to section on "8. Sector Group Protection" in ■FUNCTIONAL DESCRIPTION.


\*3:  $\overline{\text{WE}}$  can be V<sub>IL</sub> if  $\overline{\text{OE}}$  is V<sub>IL</sub>,  $\overline{\text{OE}}$  at V<sub>IH</sub> initiates the write operations.

\*4: V<sub>CC</sub> = +2.7 V to +3.6 V

\*5: Also used for the extended sector group protection.

# MBM29DL32TF/BF-70

MBM29DL32TF/BF User Bus Operations Table (Byte mode :  $\overline{\text{BYTE}} = V_{IL}$ )

Operation	$\overline{\text{CE}}$	$\overline{\text{OE}}$	$\overline{\text{WE}}$	DQ <sub>15</sub> / A <sub>-1</sub>	A <sub>0</sub>	A <sub>1</sub>	A <sub>2</sub>	A <sub>3</sub>	A <sub>6</sub>	A <sub>9</sub>	DQ <sub>7</sub> to DQ <sub>0</sub>	$\overline{\text{RESET}}$	$\overline{\text{WP/ACC}}$
Standby	H	X	X	X	X	X	X	X	X	X	High-Z	H	X
Auto-Select Manufacturer Code *1	L	L	H	L	L	L	L	L	L	V <sub>ID</sub>	Code	H	X
Auto-Select Device Code *1	L	L	H	L	H	L	L	L	L	V <sub>ID</sub>	Code	H	X
Extended Auto-Select Device Code *1	L	L	H	L	L	H	H	H	L	V <sub>ID</sub>	Code	H	X
	L	L	H	L	H	H	H	H	L	V <sub>ID</sub>	Code	H	X
Read *3	L	L	H	A <sub>-1</sub>	A <sub>0</sub>	A <sub>1</sub>	A <sub>2</sub>	A <sub>3</sub>	A <sub>6</sub>	A <sub>9</sub>	D <sub>OUT</sub>	H	X
Output Disable	L	H	H	X	X	X	X	X	X	X	High-Z	H	X
Write (Program/Erase)	L	H	L	A <sub>-1</sub>	A <sub>0</sub>	A <sub>1</sub>	A <sub>2</sub>	A <sub>3</sub>	A <sub>6</sub>	A <sub>9</sub>	D <sub>IN</sub>	H	X
Enable Sector Group Protection *2, *4	L	V <sub>ID</sub>		L	L	H	L	L	L	V <sub>ID</sub>	X	H	X
Verify Sector Group Protection *2, *4	L	L	H	L	L	H	L	L	L	V <sub>ID</sub>	Code	H	X
Temporary Sector Group Unprotection *5	X	X	X	X	X	X	X	X	X	X	X	V <sub>ID</sub>	X
Reset (Hardware) / Standby	X	X	X	X	X	X	X	X	X	X	High-Z	L	X
Boot Block Sector Write Protection	X	X	X	X	X	X	X	X	X	X	X	X	L

Legend : L = V<sub>IL</sub>, H = V<sub>IH</sub>, X = V<sub>IL</sub> or V<sub>IH</sub>,  = Pulse input. See "■DC CHARACTERISTICS" for voltage levels.

\*1: Manufacturer and device codes may also be accessed via a command register write sequence. See "MBM29DL32TF/BF Command Definitions Table".

\*2: Refer to section on "8. Sector Group Protection" in ■FUNCTIONAL DESCRIPTION.

\*3:  $\overline{\text{WE}}$  can be V<sub>IL</sub> if  $\overline{\text{OE}}$  is V<sub>IL</sub>,  $\overline{\text{OE}}$  at V<sub>IH</sub> initiates the write operations.

\*4: V<sub>CC</sub> = +2.7 V to +3.6 V

\*5: Also used for extended sector group protection.

# MBM29DL32TF/BF-70

MBM29DL32TF/BF Command Definitions Table\*1

Command sequence		Bus write cycles req'd	First bus write cycle		Second bus write cycle		Third bus write cycle		Fourth bus read/write cycle		Fifth bus write cycle		Sixth bus write cycle	
			Addr.	Data	Addr.	Data	Addr.	Data	Addr.	Data	Addr.	Data	Addr.	Data
Read/Reset*2	Word	1	XXXh	F0h	—	—	—	—	—	—	—	—	—	—
	Byte													
Read/Reset*2	Word	3	555h	AAh	2AAh	55h	555h	F0h	RA*12	RD*12	—	—	—	—
	Byte		AAAh	AAh	555h	55h	AAAh	F0h	RA*12	RD*12	—	—	—	—
Autoselect	Word	3	555h	AAh	2AAh	55h	(BA) 555h	90h	IA*12	ID*12	—	—	—	—
	Byte		AAAh	AAh	555h	55h	(BA) AAAh	90h	IA*12	ID*12	—	—	—	—
Program	Word	4	555h	AAh	2AAh	55h	555h	A0h	PA	PD	—	—	—	—
	Byte		AAAh	AAh	555h	55h	AAAh	A0h	PA	PD	—	—	—	—
Program Suspend		1	BA	B0h	—	—	—	—	—	—	—	—	—	—
Program Resume		1	BA	30h	—	—	—	—	—	—	—	—	—	—
Chip Erase	Word	6	555h	AAh	2AAh	55h	555h	80h	555h	AAh	2AAh	55h	555h	10h
	Byte		AAAh	AAh	555h	55h	AAAh	80h	AAAh	AAh	555h	55h	AAAh	10h
Sector Erase	Word	6	555h	AAh	2AAh	55h	555h	80h	555h	AAh	2AAh	55h	SA	30h
	Byte		AAAh	AAh	555h	55h	AAAh	80h	AAAh	AAh	555h	55h	SA	30h
Erase Suspend*3		1	BA	B0h	—	—	—	—	—	—	—	—	—	—
Erase Resume*3		1	BA	30h	—	—	—	—	—	—	—	—	—	—
Set to Fast Mode	Word	3	555h	AAh	2AAh	55h	555h	20h	—	—	—	—	—	—
	Byte		AAAh	AAh	555h	55h	AAAh	20h	—	—	—	—	—	—
Fast Program *4	Word	2	XXXh	A0h	PA	PD	—	—	—	—	—	—	—	—
	Byte													
Reset from Fast Mode *5	Word	2	BA	90h	XXXh	00h*11	—	—	—	—	—	—	—	—
	Byte													
Extended Sector Group Protection *6,*7	Word	3	XXXh	60h	SPA	60h	SPA	40h	SPA*12	SD*12	—	—	—	—
	Byte													
Query *8	Word	1	(BA) 55h	98h	—	—	—	—	—	—	—	—	—	—
	Byte		(BA) AAh	98h	—	—	—	—	—	—	—	—	—	—
HiddenROM Entry*9	Word	3	555h	AAh	2AAh	55h	555h	88h	—	—	—	—	—	—
	Byte		AAAh	AAh	555h	55h	AAAh	88h	—	—	—	—	—	—
HiddenROM Program *9,*10	Word	4	555h	AAh	2AAh	55h	555h	A0h	(HRA) PA	PD	—	—	—	—
	Byte		AAAh	AAh	555h	55h	AAAh	A0h	(HRA) PA	PD	—	—	—	—
HiddenROM Exit *10	Word	4	555h	AAh	2AAh	55h	(HR- BA)	90h	XXXh	00h	—	—	—	—
	Byte		AAAh	AAh	555h	55h	(HR- BA)	90h	XXXh	00h	—	—	—	—

(Continued)

# MBM29DL32TF/BF-70

(Continued)

- \*1 : Command combinations not described in “MBM29DL32TF/BF Command Definitions Table” are illegal.
- \*2 : Both of these reset commands are equivalent.
- \*3 : Erase Suspend and Erase Resume command are valid only during a sector erase operation.
- \*4 : This command is valid during Fast Mode.
- \*5 : The Reset from Fast mode command is required to return to the Read mode when the device is in Fast mode.
- \*6 : This command is valid while  $\overline{\text{RESET}} = V_{\text{ID}}$  (except during HiddenROM mode).
- \*7 : Sector Group Address (SGA) with  $(A_6, A_3, A_2, A_1, A_0) = (0, 0, 0, 1, 0)$
- \*8 : The valid address are  $A_6$  to  $A_0$ .
- \*9 : The HiddenROM Entry command is required prior to the HiddenROM programming.
- \*10 : This command is valid during HiddenROM mode.
- \*11 : The date “F0h” is also acceptable.
- \*12 : Fourth bus cycle becomes read cycle.

Notes: • Address bits  $A_{20}$  to  $A_{11} = X = \text{“H”}$  or  $\text{“L”}$  for all address commands except or Program Address (PA) , Sector Address (SA) , Bank Address (BA) .

- Bus operations are defined in “MBM29DL32TF/BF User Bus Operations Tables ( $\overline{\text{BYTE}} = V_{\text{IH}}$  and  $\overline{\text{BYTE}} = V_{\text{IL}}$ )” (■DEVICE BUS OPERATION).
- RA = Address of the memory location to be read
- IA = Autoselect read address that sets both the bank address specified at  $(A_{20}, A_{19}, A_{18})$  and all the other  $A_6, A_3, A_2, A_1, A_0, (A_{-1})$  .
- PA = Address of the memory location to be programmed  
Addresses are latched on the falling edge of the write pulse.
- SA = Address of the sector to be erased. The combination of  $A_{20}, A_{19}, A_{18}, A_{17}, A_{16}, A_{15}, A_{14}, A_{13}$ , and  $A_{12}$  will uniquely select any sector.
- BA = Bank Address ( $A_{20}$  to  $A_{18}$ )
- RD = Data read from location RA during read operation.
- ID = Device code/manufacture code for the address located by IA.
- PD = Data to be programmed at location PA. Data is latched on the rising edge of write pulse.
- SPA = Sector group address to be protected. Set sector group address and  $(A_6, A_3, A_2, A_1, A_0) = (0, 0, 0, 1, 0)$  .
- SGA = Sector Group Address. The combination of  $A_{20}$  to  $A_{12}$  will uniquely select any sector group.
- SD = Sector group protection verify data. Output 01h at protected sector group addresses and output 00h at unprotected sector group addresses.
- HRA = Address of the HiddenROM area  
MBM29DL32TF (Top Boot Type) Word Mode : 1FF000h to 1FF07Fh  
Byte Mode : 3FE000h to 3FE0FFh  
MBM29DL32BF (Bottom Boot Type) Word Mode : 000000h to 00007Fh  
Byte Mode : 00000h to 0000FFh
- HRBA = Bank Address of the HiddenROM area  
MBM29DL32TF (Top Boot Type) :  $A_{20} = A_{19} = A_{18} = V_{\text{IL}}$   
MBM29DL32BF (Bottom Boot Type) :  $A_{20} = A_{19} = A_{18} = V_{\text{IH}}$
- The system should generate the following address patterns :  
Word Mode : 555h or 2AAh to addresses  $A_{10}$  to  $A_0$   
Byte Mode : AAAh or 555h to addresses  $A_{10}$  to  $A_0$ , and  $A_{-1}$
- Both Read/Reset commands are functionally equivalent, resetting the device to the read mode.

**MBM29DL32TF Sector Group Protection Verify Autoselect Codes Table**

Type		A <sub>20</sub> to A <sub>12</sub>	A <sub>6</sub>	A <sub>3</sub>	A <sub>2</sub>	A <sub>1</sub>	A <sub>0</sub>	A <sub>-1</sub> * <sup>1</sup>	Code(HEX)
Manufacture's Code	Byte	BA* <sup>3</sup>	V <sub>IL</sub>	V <sub>IL</sub>	V <sub>IL</sub>	V <sub>IL</sub>	V <sub>IL</sub>	V <sub>IL</sub>	04h
	Word							X	0004h
Device Code	Byte	BA* <sup>3</sup>	V <sub>IL</sub>	V <sub>IL</sub>	V <sub>IL</sub>	V <sub>IL</sub>	V <sub>IL</sub>	V <sub>IL</sub>	7Eh
	Word							X	227Eh
Extended Device Code* <sup>4</sup>	Byte	BA* <sup>3</sup>	V <sub>IL</sub>	V <sub>IH</sub>	V <sub>IH</sub>	V <sub>IH</sub>	V <sub>IH</sub>	V <sub>IL</sub>	0Ah
	Word							X	220Ah
	Byte	BA* <sup>3</sup>	V <sub>IL</sub>	V <sub>IH</sub>	V <sub>IH</sub>	V <sub>IH</sub>	V <sub>IH</sub>	V <sub>IL</sub>	01h
	Word							X	2201h
Sector Group Protection	Byte	Sector Group Addresses	V <sub>IL</sub>	V <sub>IL</sub>	V <sub>IL</sub>	V <sub>IH</sub>	V <sub>IL</sub>	V <sub>IL</sub>	01h* <sup>2</sup>
	Word							X	0001h* <sup>2</sup>

\*1 : A<sub>-1</sub> is for Byte mode. At Byte mode, DQ<sub>14</sub> to DQ<sub>8</sub> are High-Z and DQ<sub>15</sub> is A<sub>-1</sub>, the lowest address.

\*2 : Outputs 01h at protected sector group addresses and outputs 00h at unprotected sector group addresses.

\*3 : When V<sub>ID</sub> is applied to A<sub>9</sub>, both Bank 1 and Bank 2 are put into Autoselect mode, which makes simultaneous operation unable to be executed. Consequently, specifying the bank address is not required. However, the bank address needs to be indicated when Autoselect mode is read out at command mode, because then it enables to activate simultaneous operation.

\*4 : At WORD mode, a read cycle at address (BA) 01h (at BYTE mode, (BA) 02h) outputs device code. When 227Eh (at BYTE mode, 7Eh) is output, it indicates that two additional codes, called Extended Device Codes, will be required. Therefore the system may continue reading out these Extended Device Codes at the address of (BA) 0Eh (at BYTE mode, (BA) 1Ch), as well as at (BA) 0Fh (at BYTE mode, (BA) 1Eh).

**MBM29DL32TF Extended Autoselect Code Table**

Type		Code	DQ <sub>15</sub>	DQ <sub>14</sub>	DQ <sub>13</sub>	DQ <sub>12</sub>	DQ <sub>11</sub>	DQ <sub>10</sub>	DQ <sub>9</sub>	DQ <sub>8</sub>	DQ <sub>7</sub>	DQ <sub>6</sub>	DQ <sub>5</sub>	DQ <sub>4</sub>	DQ <sub>3</sub>	DQ <sub>2</sub>	DQ <sub>1</sub>	DQ <sub>0</sub>
Manufacture's Code	Byte*	04h	A <sub>-1</sub>	HZ	HZ	HZ	HZ	HZ	HZ	HZ	0	0	0	0	0	1	0	0
	Word	0004h	0	0	0	0	0	0	0	0	0	0	0	0	0	1	0	0
Device Code	Byte*	7Eh	A <sub>-1</sub>	HZ	HZ	HZ	HZ	HZ	HZ	HZ	0	1	1	1	1	1	1	0
	Word	227Eh	0	0	1	0	0	0	1	0	0	1	1	1	1	1	1	0
Extended Device Code	Byte*	0Ah	A <sub>-1</sub>	HZ	HZ	HZ	HZ	HZ	HZ	HZ	0	0	0	0	1	0	1	0
	Word	220Ah	0	0	1	0	0	0	1	0	0	0	0	0	1	0	1	0
	Byte*	01h	A <sub>-1</sub>	HZ	HZ	HZ	HZ	HZ	HZ	HZ	0	0	0	0	0	0	0	1
	Word	2201h	0	0	1	0	0	0	1	0	0	0	0	0	0	0	0	1
Sector Group Protection	Byte*	01h	A <sub>-1</sub>	HZ	HZ	HZ	HZ	HZ	HZ	HZ	0	0	0	0	0	0	0	1
	Word	0001h	0	0	0	0	0	0	0	0	0	0	0	0	0	0	0	1

HZ: High-Z

\* : At Byte mode, DQ<sub>14</sub> to DQ<sub>8</sub> are High-Z and DQ<sub>15</sub> is A<sub>-1</sub>, the lowest address.

# MBM29DL32TF/BF-70

**MBM29DL32BF Sector Group Protection Verify Autoselect Codes Table**

Type		A <sub>20</sub> to A <sub>12</sub>	A <sub>6</sub>	A <sub>3</sub>	A <sub>2</sub>	A <sub>1</sub>	A <sub>0</sub>	A <sub>-1</sub> *1	Code (HEX)
Manufacture's Code	Byte	BA*3	V <sub>IL</sub>	V <sub>IL</sub>	V <sub>IL</sub>	V <sub>IL</sub>	V <sub>IL</sub>	V <sub>IL</sub>	04h
	Word							X	0004h
Device Code	Byte	BA*3	V <sub>IL</sub>	V <sub>IL</sub>	V <sub>IL</sub>	V <sub>IL</sub>	V <sub>IH</sub>	V <sub>IL</sub>	7Eh
	Word							X	227Eh
Extended Device Code*4	Byte	BA*3	V <sub>IL</sub>	V <sub>IH</sub>	V <sub>IH</sub>	V <sub>IH</sub>	V <sub>IH</sub>	V <sub>IL</sub>	0Ah
	Word							X	220Ah
	Byte	BA*3	V <sub>IL</sub>	V <sub>IH</sub>	V <sub>IH</sub>	V <sub>IH</sub>	V <sub>IH</sub>	V <sub>IL</sub>	00h
	Word							X	2200h
Sector Group Protection	Byte	Sector Group Addresses	V <sub>IL</sub>	V <sub>IL</sub>	V <sub>IL</sub>	V <sub>IH</sub>	V <sub>IL</sub>	V <sub>IL</sub>	01h*2
	Word							X	0001h*2

\*1 : A<sub>-1</sub> is for Byte mode. At Byte mode, DQ<sub>14</sub> to DQ<sub>8</sub> are High-Z and DQ<sub>15</sub> is A<sub>-1</sub>, the lowest address.

\*2 : Outputs 01h at protected sector group addresses and outputs 00h at unprotected sector group addresses.

\*3 : When V<sub>ID</sub> is applied to A<sub>9</sub>, both Bank 1 and Bank 2 are put into Autoselect mode, which makes simultaneous operation unable to be executed. Consequently, specifying the bank address is not required. However, the bank address needs to be indicated when Autoselect mode is read out at command mode, because then it enables to activate simultaneous operation.

\*4 : At WORD mode, a read cycle at address (BA) 01h (at BYTE mode, (BA) 02h) outputs device code. When 227Eh (at BYTE mode, 7Eh) is output, it indicates that two additional codes, called Extended Device Codes, will be required. Therefore the system may continue reading out these Extended Device Codes at the address of (BA) 0Eh (at BYTE mode, (BA) 1Ch), as well as at (BA) 0Fh (at BYTE mode, (BA) 1Eh).

**MBM29DL32BF Extended Autoselect Code Table**

Type		Code	DQ <sub>15</sub>	DQ <sub>14</sub>	DQ <sub>13</sub>	DQ <sub>12</sub>	DQ <sub>11</sub>	DQ <sub>10</sub>	DQ <sub>9</sub>	DQ <sub>8</sub>	DQ <sub>7</sub>	DQ <sub>6</sub>	DQ <sub>5</sub>	DQ <sub>4</sub>	DQ <sub>3</sub>	DQ <sub>2</sub>	DQ <sub>1</sub>	DQ <sub>0</sub>
Manufacture's Code	Byte*	04h	A <sub>-1</sub>	HZ	HZ	HZ	HZ	HZ	HZ	HZ	0	0	0	0	0	1	0	0
	Word	0004h	0	0	0	0	0	0	0	0	0	0	0	0	0	1	0	0
Device Code	Byte*	7Eh	A <sub>-1</sub>	HZ	HZ	HZ	HZ	HZ	HZ	HZ	0	1	1	1	1	1	1	0
	Word	227Eh	0	0	1	0	0	0	1	0	0	1	1	1	1	1	1	0
Extended Device Code	Byte*	0Ah	A <sub>-1</sub>	HZ	HZ	HZ	HZ	HZ	HZ	HZ	0	0	0	0	1	0	1	0
	Word	220Ah	0	0	1	0	0	0	1	0	0	0	0	0	1	0	1	0
	Byte*	00h	A <sub>-1</sub>	HZ	HZ	HZ	HZ	HZ	HZ	HZ	0	0	0	0	0	0	0	0
	Word	2200h	0	0	1	0	0	0	1	0	0	0	0	0	0	0	0	0
Sector Group Protection	Byte*	01h	A <sub>-1</sub>	HZ	HZ	HZ	HZ	HZ	HZ	HZ	0	0	0	0	0	0	0	1
	Word	0001h	0	0	0	0	0	0	0	0	0	0	0	0	0	0	0	1

HZ: High-Z

\* : At Byte mode, DQ<sub>14</sub> to DQ<sub>8</sub> are High-Z and DQ<sub>15</sub> is A<sub>-1</sub>, the lowest address.

## ■ FLEXIBLE SECTOR-ERASE ARCHITECTURE

Sector Address Table (MBM29DL32TF)

Bank	Sector	Sector address										Sector size (Kbytes/ Kwords)	(×8) Address range	(×16) Address range
		Bank address			A17	A16	A15	A14	A13	A12	A11			
		A20	A19	A18										
Bank D	SA0	0	0	0	0	0	0	X	X	X	X	64/32	000000h to 00FFFFh	000000h to 007FFFh
	SA1	0	0	0	0	0	1	X	X	X	X	64/32	010000h to 01FFFFh	008000h to 00FFFFh
	SA2	0	0	0	0	1	0	X	X	X	X	64/32	020000h to 02FFFFh	010000h to 017FFFh
	SA3	0	0	0	0	1	1	X	X	X	X	64/32	030000h to 03FFFFh	018000h to 01FFFFh
	SA4	0	0	0	1	0	0	X	X	X	X	64/32	040000h to 04FFFFh	020000h to 027FFFh
	SA5	0	0	0	1	0	1	X	X	X	X	64/32	050000h to 05FFFFh	028000h to 02FFFFh
	SA6	0	0	0	1	1	0	X	X	X	X	64/32	060000h to 06FFFFh	030000h to 037FFFh
Bank C	SA7	0	0	0	1	1	1	X	X	X	X	64/32	070000h to 07FFFFh	038000h to 03FFFFh
	SA8	0	0	1	0	0	0	X	X	X	X	64/32	080000h to 08FFFFh	040000h to 047FFFh
	SA9	0	0	1	0	0	1	X	X	X	X	64/32	090000h to 09FFFFh	048000h to 04FFFFh
	SA10	0	0	1	0	1	0	X	X	X	X	64/32	0A0000h to 0AFFFFh	050000h to 057FFFh
	SA11	0	0	1	0	1	1	X	X	X	X	64/32	0B0000h to 0BFFFFh	058000h to 05FFFFh
	SA12	0	0	1	1	0	0	X	X	X	X	64/32	0C0000h to 0CFFFFh	060000h to 067FFFh
	SA13	0	0	1	1	0	1	X	X	X	X	64/32	0D0000h to 0DFFFFh	068000h to 06FFFFh
	SA14	0	0	1	1	1	0	X	X	X	X	64/32	0E0000h to 0EFFFFh	070000h to 077FFFh
	SA15	0	0	1	1	1	1	X	X	X	X	64/32	0F0000h to 0FFFFFFh	078000h to 07FFFFh
	SA16	0	1	0	0	0	0	X	X	X	X	64/32	100000h to 10FFFFh	080000h to 087FFFh
	SA17	0	1	0	0	0	1	X	X	X	X	64/32	110000h to 11FFFFh	088000h to 08FFFFh
	SA18	0	1	0	0	1	0	X	X	X	X	64/32	120000h to 12FFFFh	090000h to 097FFFh
	SA19	0	1	0	0	1	1	X	X	X	X	64/32	130000h to 13FFFFh	098000h to 09FFFFh
	SA20	0	1	0	1	0	0	X	X	X	X	64/32	140000h to 14FFFFh	0A0000h to 0A7FFFh
	SA21	0	1	0	1	0	1	X	X	X	X	64/32	150000h to 15FFFFh	0A8000h to 0AFFFFh
	SA22	0	1	0	1	1	0	X	X	X	X	64/32	160000h to 16FFFFh	0B0000h to 0B7FFFh
	SA23	0	1	0	1	1	1	X	X	X	X	64/32	170000h to 17FFFFh	0B8000h to 0BFFFFh
	SA24	0	1	1	0	0	0	X	X	X	X	64/32	180000h to 18FFFFh	0C0000h to 0C7FFFh
	SA25	0	1	1	0	0	1	X	X	X	X	64/32	190000h to 19FFFFh	0C8000h to 0CFFFFh
	SA26	0	1	1	0	1	0	X	X	X	X	64/32	1A0000h to 1AFFFFh	0D0000h to 0D7FFFh
	SA27	0	1	1	0	1	1	X	X	X	X	64/32	1B0000h to 1BFFFFh	0D8000h to 0DFFFFh
	SA28	0	1	1	1	0	0	X	X	X	X	64/32	1C0000h to 1CFFFFh	0E0000h to 0E7FFFh
	SA29	0	1	1	1	0	1	X	X	X	X	64/32	1D0000h to 1DFFFFh	0E8000h to 0EFFFFh
	SA30	0	1	1	1	1	0	X	X	X	X	64/32	1E0000h to 1EFFFFh	0F0000h to 0F7FFFh
	SA31	0	1	1	1	1	1	X	X	X	X	64/32	1F0000h to 1FFFFFFh	0F8000h to 0FFFFFFh

(Continued)

# MBM29DL32TF/BF-70

Bank	Sector	Sector address										Sector size (Kbytes/ Kwords)	(×8) Address range	(×16) Address range
		Bank address			A17	A16	A15	A14	A13	A12	A11			
		A20	A19	A18										
Bank B	SA32	1	0	0	0	0	0	X	X	X	X	64/32	200000h to 20FFFFh	100000h to 107FFFh
	SA33	1	0	0	0	0	1	X	X	X	X	64/32	210000h to 21FFFFh	108000h to 10FFFFh
	SA34	1	0	0	0	1	0	X	X	X	X	64/32	220000h to 22FFFFh	110000h to 117FFFh
	SA35	1	0	0	0	1	1	X	X	X	X	64/32	230000h to 23FFFFh	118000h to 11FFFFh
	SA36	1	0	0	1	0	0	X	X	X	X	64/32	240000h to 24FFFFh	120000h to 127FFFh
	SA37	1	0	0	1	0	1	X	X	X	X	64/32	250000h to 25FFFFh	128000h to 12FFFFh
	SA38	1	0	0	1	1	0	X	X	X	X	64/32	260000h to 26FFFFh	130000h to 137FFFh
	SA39	1	0	0	1	1	1	X	X	X	X	64/32	270000h to 27FFFFh	138000h to 13FFFFh
	SA40	1	0	1	0	0	0	X	X	X	X	64/32	280000h to 28FFFFh	140000h to 147FFFh
	SA41	1	0	1	0	0	1	X	X	X	X	64/32	290000h to 29FFFFh	148000h to 14FFFFh
	SA42	1	0	1	0	1	0	X	X	X	X	64/32	2A0000h to 2AFFFFh	150000h to 157FFFh
	SA43	1	0	1	0	1	1	X	X	X	X	64/32	2B0000h to 2BFFFFh	158000h to 15FFFFh
	SA44	1	0	1	1	0	0	X	X	X	X	64/32	2C0000h to 2CFFFFh	160000h to 167FFFh
	SA45	1	0	1	1	0	1	X	X	X	X	64/32	2D0000h to 2DFFFFh	168000h to 16FFFFh
	SA46	1	0	1	1	1	0	X	X	X	X	64/32	2E0000h to 2EFFFFh	170000h to 177FFFh
	SA47	1	0	1	1	1	1	X	X	X	X	64/32	2F0000h to 2FFFFFh	178000h to 17FFFFh
	SA48	1	1	0	0	0	0	X	X	X	X	64/32	300000h to 30FFFFh	180000h to 187FFFh
	SA49	1	1	0	0	0	1	X	X	X	X	64/32	310000h to 31FFFFh	188000h to 18FFFFh
	SA50	1	1	0	0	1	0	X	X	X	X	64/32	320000h to 32FFFFh	190000h to 197FFFh
	SA51	1	1	0	0	1	1	X	X	X	X	64/32	330000h to 33FFFFh	198000h to 19FFFFh
SA52	1	1	0	1	0	0	X	X	X	X	64/32	340000h to 34FFFFh	1A0000h to 1A7FFFh	
SA53	1	1	0	1	0	1	X	X	X	X	64/32	350000h to 35FFFFh	1A8000h to 1AFFFFh	
SA54	1	1	0	1	1	0	X	X	X	X	64/32	360000h to 36FFFFh	1B0000h to 1B7FFFh	
SA55	1	1	0	1	1	1	X	X	X	X	64/32	370000h to 37FFFFh	1B8000h to 1BFFFFh	

(Continued)



# MBM29DL32TF/BF-70

(Continued)

Bank	Sector	Sector address										Sector size (Kbytes/Kwords)	(×8) Address range	(×16) Address range
		Bank address			A <sub>17</sub>	A <sub>16</sub>	A <sub>15</sub>	A <sub>14</sub>	A <sub>13</sub>	A <sub>12</sub>	A <sub>11</sub>			
		A <sub>20</sub>	A <sub>19</sub>	A <sub>18</sub>										
Bank A	SA56	1	1	1	0	0	0	X	X	X	X	64/32	380000h to 38FFFFh	1C0000h to 1C7FFFh
	SA57	1	1	1	0	0	1	X	X	X	X	64/32	390000h to 39FFFFh	1C8000h to 1CFFFFh
	SA58	1	1	1	0	1	0	X	X	X	X	64/32	3A0000h to 3AFFFFh	1D0000h to 1D7FFFh
	SA59	1	1	1	0	1	1	X	X	X	X	64/32	3B0000h to 3BFFFFh	1D8000h to 1DFFFFh
	SA60	1	1	1	1	0	0	X	X	X	X	64/32	3C0000h to 3CFFFFh	1E0000h to 1E7FFFh
	SA61	1	1	1	1	0	1	X	X	X	X	64/32	3D0000h to 3DFFFFh	1E8000h to 1EFFFFh
	SA62	1	1	1	1	1	0	X	X	X	X	64/32	3E0000h to 3EFFFFh	1F0000h to 1F7FFFh
	SA63	1	1	1	1	1	1	0	0	0	X	8/4	3F0000h to 3F1FFFh	1F8000h to 1F8FFFh
	SA64	1	1	1	1	1	1	0	0	1	X	8/4	3F2000h to 3F3FFFh	1F9000h to 1F9FFFh
	SA65	1	1	1	1	1	1	0	1	0	X	8/4	3F4000h to 3F5FFFh	1FA000h to 1FAFFFh
	SA66	1	1	1	1	1	1	0	1	1	X	8/4	3F6000h to 3F7FFFh	1FB000h to 1FBFFFh
	SA67	1	1	1	1	1	1	1	0	0	X	8/4	3F8000h to 3F9FFFh	1FC000h to 1FCFFFh
	SA68	1	1	1	1	1	1	1	0	1	X	8/4	3FA000h to 3FBFFFh	1FD000h to 1FDFFFh
	SA69	1	1	1	1	1	1	1	1	0	X	8/4	3FC000h to 3FDFFFh	1FE000h to 1FEFFFh
SA70	1	1	1	1	1	1	1	1	1	X	8/4	3FE000h to 3FFFFFh	1FF000h to 1FFFFFh	

- Notes :
- The address range is A<sub>20</sub> : A<sub>-1</sub> if in byte mode ( $\overline{\text{BYTE}} = V_{IL}$ ) .
  - The address range is A<sub>20</sub> : A<sub>0</sub> if in word mode ( $\overline{\text{BYTE}} = V_{IH}$ ) .

# MBM29DL32TF/BF-70

Sector Address Table (MBM29DL32BF)

Bank	Sector	Sector address										Sector size (Kbytes/ Kwords)	(×8) Address range	(×16) Address range
		Bank address			A <sub>17</sub>	A <sub>16</sub>	A <sub>15</sub>	A <sub>14</sub>	A <sub>13</sub>	A <sub>12</sub>	A <sub>11</sub>			
		A <sub>20</sub>	A <sub>19</sub>	A <sub>18</sub>										
Bank D	SA70	1	1	1	1	1	1	X	X	X	X	64/32	3F0000h to 3FFFFFFh	1F8000h to 1FFFFFFh
	SA69	1	1	1	1	1	0	X	X	X	X	64/32	3E0000h to 3FFFFFFh	1F0000h to 1F7FFFh
	SA68	1	1	1	1	0	1	X	X	X	X	64/32	3D0000h to 3DFFFFh	1E8000h to 1EFFFFh
	SA67	1	1	1	1	0	0	X	X	X	X	64/32	3C0000h to 3CFFFFh	1E0000h to 1E7FFFh
	SA66	1	1	1	0	1	1	X	X	X	X	64/32	3B0000h to 3BFFFFh	1D8000h to 1DFFFFh
	SA65	1	1	1	0	1	0	X	X	X	X	64/32	3A0000h to 3AFFFFh	1D0000h to 1D7FFFh
	SA64	1	1	1	0	0	1	X	X	X	X	64/32	390000h to 39FFFFh	1C8000h to 1CFFFFh
	SA63	1	1	1	0	0	0	X	X	X	X	64/32	380000h to 38FFFFh	1C0000h to 1C7FFFh
Bank C	SA62	1	1	0	1	1	1	X	X	X	X	64/32	370000h to 37FFFFh	1B8000h to 1BFFFFh
	SA61	1	1	0	1	1	0	X	X	X	X	64/32	360000h to 36FFFFh	1B0000h to 1B7FFFh
	SA60	1	1	0	1	0	1	X	X	X	X	64/32	350000h to 35FFFFh	1A8000h to 1AFFFFh
	SA59	1	1	0	1	0	0	X	X	X	X	64/32	340000h to 34FFFFh	1A0000h to 1A7FFFh
	SA58	1	1	0	0	1	1	X	X	X	X	64/32	330000h to 33FFFFh	198000h to 19FFFFh
	SA57	1	1	0	0	1	0	X	X	X	X	64/32	320000h to 32FFFFh	190000h to 197FFFh
	SA56	1	1	0	0	0	1	X	X	X	X	64/32	310000h to 31FFFFh	188000h to 18FFFFh
	SA55	1	1	0	0	0	0	X	X	X	X	64/32	300000h to 30FFFFh	180000h to 187FFFh
	SA54	1	0	1	1	1	1	X	X	X	X	64/32	2F0000h to 2FFFFFFh	178000h to 17FFFFh
	SA53	1	0	1	1	1	0	X	X	X	X	64/32	2E0000h to 2EFFFFh	170000h to 177FFFh
	SA52	1	0	1	1	0	1	X	X	X	X	64/32	2D0000h to 2DFFFFh	168000h to 16FFFFh
	SA51	1	0	1	1	0	0	X	X	X	X	64/32	2C0000h to 2CFFFFh	160000h to 167FFFh
	SA50	1	0	1	0	1	1	X	X	X	X	64/32	2B0000h to 2BFFFFh	158000h to 15FFFFh
	SA49	1	0	1	0	1	0	X	X	X	X	64/32	2A0000h to 2AFFFFh	150000h to 157FFFh
	SA48	1	0	1	0	0	1	X	X	X	X	64/32	290000h to 29FFFFh	148000h to 14FFFFh
	SA47	1	0	1	0	0	0	X	X	X	X	64/32	280000h to 28FFFFh	140000h to 147FFFh
	SA46	1	0	0	1	1	1	X	X	X	X	64/32	270000h to 27FFFFh	138000h to 13FFFFh
	SA45	1	0	0	1	1	0	X	X	X	X	64/32	260000h to 26FFFFh	130000h to 137FFFh
	SA44	1	0	0	1	0	1	X	X	X	X	64/32	250000h to 25FFFFh	128000h to 12FFFFh
	SA43	1	0	0	1	0	0	X	X	X	X	64/32	240000h to 24FFFFh	120000h to 127FFFh
SA42	1	0	0	0	1	1	X	X	X	X	64/32	230000h to 23FFFFh	118000h to 11FFFFh	
SA41	1	0	0	0	1	0	X	X	X	X	64/32	220000h to 22FFFFh	110000h to 117FFFh	
SA40	1	0	0	0	0	1	X	X	X	X	64/32	210000h to 21FFFFh	108000h to 10FFFFh	
SA39	1	0	0	0	0	0	X	X	X	X	64/32	200000h to 20FFFFh	100000h to 107FFFh	

(Continued)

# MBM29DL32TF/BF-70

Bank	Sector	Sector address									Sector size (Kbytes/ Kwords)	(×8) Address range	(×16) Address range	
		Bank address			A <sub>17</sub>	A <sub>16</sub>	A <sub>15</sub>	A <sub>14</sub>	A <sub>13</sub>	A <sub>12</sub>				A <sub>11</sub>
		A <sub>20</sub>	A <sub>19</sub>	A <sub>18</sub>										
Bank B	SA38	0	1	1	1	1	1	X	X	X	X	64/32	1F0000h to 1FFFFFFh	0F8000h to 0FFFFFFh
	SA37	0	1	1	1	1	0	X	X	X	X	64/32	1E0000h to 1FFFFFFh	0F0000h to 0F7FFFh
	SA36	0	1	1	1	0	1	X	X	X	X	64/32	1D0000h to 1DFFFFh	0E8000h to 0EFFFFh
	SA35	0	1	1	1	0	0	X	X	X	X	64/32	1C0000h to 1CFFFFh	0E0000h to 0E7FFFh
	SA34	0	1	1	0	1	1	X	X	X	X	64/32	1B0000h to 1BFFFFh	0D8000h to 0DFFFFh
	SA33	0	1	1	0	1	0	X	X	X	X	64/32	1A0000h to 1AFFFFh	0D0000h to 0D7FFFh
	SA32	0	1	1	0	0	1	X	X	X	X	64/32	190000h to 19FFFFh	0C8000h to 0CFFFFh
	SA31	0	1	1	0	0	0	X	X	X	X	64/32	180000h to 18FFFFh	0C0000h to 0C7FFFh
	SA30	0	1	0	1	1	1	X	X	X	X	64/32	170000h to 17FFFFh	0B8000h to 0BFFFFh
	SA29	0	1	0	1	1	0	X	X	X	X	64/32	160000h to 16FFFFh	0B0000h to 0B7FFFh
	SA28	0	1	0	1	0	1	X	X	X	X	64/32	150000h to 15FFFFh	0A8000h to 0AFFFFh
	SA27	0	1	0	1	0	0	X	X	X	X	64/32	140000h to 14FFFFh	0A0000h to 0A7FFFh
	SA26	0	1	0	0	1	1	X	X	X	X	64/32	130000h to 13FFFFh	098000h to 09FFFFh
	SA25	0	1	0	0	1	0	X	X	X	X	64/32	120000h to 12FFFFh	090000h to 097FFFh
	SA24	0	1	0	0	0	1	X	X	X	X	64/32	110000h to 11FFFFh	088000h to 08FFFFh
	SA23	0	1	0	0	0	0	X	X	X	X	64/32	100000h to 10FFFFh	080000h to 087FFFh
	SA22	0	0	1	1	1	1	X	X	X	X	64/32	0F0000h to 0FFFFFFh	078000h to 07FFFFh
	SA21	0	0	1	1	1	0	X	X	X	X	64/32	0E0000h to 0EFFFFh	070000h to 077FFFh
	SA20	0	0	1	1	0	1	X	X	X	X	64/32	0D0000h to 0DFFFFh	068000h to 06FFFFh
	SA19	0	0	1	1	0	0	X	X	X	X	64/32	0C0000h to 0CFFFFh	060000h to 067FFFh
SA18	0	0	1	0	1	1	X	X	X	X	64/32	0B0000h to 0BFFFFh	058000h to 05FFFFh	
SA17	0	0	1	0	1	0	X	X	X	X	64/32	0A0000h to 0AFFFFh	050000h to 057FFFh	
SA16	0	0	1	0	0	1	X	X	X	X	64/32	090000h to 09FFFFh	048000h to 04FFFFh	
SA15	0	0	1	0	0	0	X	X	X	X	64/32	080000h to 08FFFFh	040000h to 047FFFh	

(Continued)

# MBM29DL32TF/BF-70

(Continued)

Bank	Sector	Sector address										Sector size (Kbytes/ Kwords)	(×8) Address range	(×16) Address range
		Bank address			A <sub>17</sub>	A <sub>16</sub>	A <sub>15</sub>	A <sub>14</sub>	A <sub>13</sub>	A <sub>12</sub>	A <sub>11</sub>			
		A <sub>20</sub>	A <sub>19</sub>	A <sub>18</sub>										
Bank A	SA14	0	0	0	1	1	1	X	X	X	X	64/32	070000h to 07FFFFh	038000h to 03FFFFh
	SA13	0	0	0	1	1	0	X	X	X	X	64/32	060000h to 06FFFFh	030000h to 037FFFh
	SA12	0	0	0	1	0	1	X	X	X	X	64/32	050000h to 05FFFFh	028000h to 02FFFFh
	SA11	0	0	0	1	0	0	X	X	X	X	64/32	040000h to 04FFFFh	020000h to 027FFFh
	SA10	0	0	0	0	1	1	X	X	X	X	64/32	030000h to 03FFFFh	018000h to 01FFFFh
	SA9	0	0	0	0	1	0	X	X	X	X	64/32	020000h to 02FFFFh	010000h to 017FFFh
	SA8	0	0	0	0	0	1	X	X	X	X	64/32	010000h to 01FFFFh	008000h to 00FFFFh
	SA7	0	0	0	0	0	0	1	1	1	X	8/4	00E000h to 00FFFFh	007000h to 007FFFh
	SA6	0	0	0	0	0	0	1	1	0	X	8/4	00C000h to 00DFFFh	006000h to 006FFFh
	SA5	0	0	0	0	0	0	1	0	1	X	8/4	00A000h to 00BFFFh	005000h to 005FFFh
	SA4	0	0	0	0	0	0	1	0	0	X	8/4	008000h to 009FFFh	004000h to 004FFFh
	SA3	0	0	0	0	0	0	0	1	1	X	8/4	006000h to 007FFFh	003000h to 003FFFh
	SA2	0	0	0	0	0	0	0	1	0	X	8/4	004000h to 005FFFh	002000h to 002FFFh
	SA1	0	0	0	0	0	0	0	0	1	X	8/4	002000h to 003FFFh	001000h to 001FFFh
SA0	0	0	0	0	0	0	0	0	0	X	8/4	000000h to 001FFFh	000000h to 000FFFh	

- Notes :
- The address range is A<sub>20</sub> : A<sub>-1</sub> if in byte mode ( $\overline{\text{BYTE}} = V_{\text{IL}}$ ).
  - The address range is A<sub>20</sub> : A<sub>0</sub> if in word mode ( $\overline{\text{BYTE}} = V_{\text{IH}}$ ).

**Sector Group Addresses Table (MBM29DL32TF)**

Sector group	A <sub>20</sub>	A <sub>19</sub>	A <sub>18</sub>	A <sub>17</sub>	A <sub>16</sub>	A <sub>15</sub>	A <sub>14</sub>	A <sub>13</sub>	A <sub>12</sub>	Sectors
SGA0	0	0	0	0	0	0	X	X	X	SA0
SGA1	0	0	0	0	0	1	X	X	X	SA1 to SA3
					1	0				
					1	1				
SGA2	0	0	0	1	X	X	X	X	X	SA4 to SA7
SGA3	0	0	1	0	X	X	X	X	X	SA8 to SA11
SGA4	0	0	1	1	X	X	X	X	X	SA12 to SA15
SGA5	0	1	0	0	X	X	X	X	X	SA16 to SA19
SGA6	0	1	0	1	X	X	X	X	X	SA20 to SA23
SGA7	0	1	1	0	X	X	X	X	X	SA24 to SA27
SGA8	0	1	1	1	X	X	X	X	X	SA28 to SA31
SGA9	1	0	0	0	X	X	X	X	X	SA32 to SA35
SGA10	1	0	0	1	X	X	X	X	X	SA36 to SA39
SGA11	1	0	1	0	X	X	X	X	X	SA40 to SA43
SGA12	1	0	1	1	X	X	X	X	X	SA44 to SA47
SGA13	1	1	0	0	X	X	X	X	X	SA48 to SA51
SGA14	1	1	0	1	X	X	X	X	X	SA52 to SA55
SGA15	1	1	1	0	X	X	X	X	X	SA56 to SA59
SGA16	1	1	1	1	0	0	X	X	X	SA60 to SA62
					0	1				
					1	0				
SGA17	1	1	1	1	1	1	0	0	0	SA63
SGA18	1	1	1	1	1	1	0	0	1	SA64
SGA19	1	1	1	1	1	1	0	1	0	SA65
SGA20	1	1	1	1	1	1	0	1	1	SA66
SGA21	1	1	1	1	1	1	1	0	0	SA67
SGA22	1	1	1	1	1	1	1	0	1	SA68
SGA23	1	1	1	1	1	1	1	1	0	SA69
SGA24	1	1	1	1	1	1	1	1	1	SA70

# MBM29DL32TF/BF-70

Sector Group Addresses Table (MBM29DL32BF)

Sector group	A <sub>20</sub>	A <sub>19</sub>	A <sub>18</sub>	A <sub>17</sub>	A <sub>16</sub>	A <sub>15</sub>	A <sub>14</sub>	A <sub>13</sub>	A <sub>12</sub>	Sectors
SGA0	0	0	0	0	0	0	0	0	0	SA0
SGA1	0	0	0	0	0	0	0	0	1	SA1
SGA2	0	0	0	0	0	0	0	1	0	SA2
SGA3	0	0	0	0	0	0	0	1	1	SA3
SGA4	0	0	0	0	0	0	1	0	0	SA4
SGA5	0	0	0	0	0	0	1	0	1	SA5
SGA6	0	0	0	0	0	0	1	1	0	SA6
SGA7	0	0	0	0	0	0	1	1	1	SA7
SGA8	0	0	0	0	0	1	X	X	X	SA8 to SA10
					1	0				
					1	1				
SGA9	0	0	0	1	X	X	X	X	X	SA11 to SA14
SGA10	0	0	1	0	X	X	X	X	X	SA15 to SA18
SGA11	0	0	1	1	X	X	X	X	X	SA19 to SA22
SGA12	0	1	0	0	X	X	X	X	X	SA23 to SA26
SGA13	0	1	0	1	X	X	X	X	X	SA27 to SA30
SGA14	0	1	1	0	X	X	X	X	X	SA31 to SA34
SGA15	0	1	1	1	X	X	X	X	X	SA35 to SA38
SGA16	1	0	0	0	X	X	X	X	X	SA39 to SA42
SGA17	1	0	0	1	X	X	X	X	X	SA43 to SA46
SGA18	1	0	1	0	X	X	X	X	X	SA47 to SA50
SGA19	1	0	1	1	X	X	X	X	X	SA51 to SA54
SGA20	1	1	0	0	X	X	X	X	X	SA55 to SA58
SGA21	1	1	0	1	X	X	X	X	X	SA59 to SA62
SGA22	1	1	1	0	X	X	X	X	X	SA63 to SA66
SGA23	1	1	1	1	0	0	X	X	X	SA67 to SA69
					0	1				
					1	0				
SGA24	1	1	1	1	1	1	X	X	X	SA70

## Common Flash Memory Interface Code Table

DQ <sub>15</sub> to DQ <sub>0</sub>	A <sub>6</sub> to A <sub>0</sub>	Description
0051h 0052h 0059h	10h 11h 12h	Query-unique ASCII string "QRY"
0002h 0000h	13h 14h	Primary OEM Command Set 02h : AMD/FJ standard type
0040h 0000h	15h 16h	Address for Primary Extended Table
0000h 0000h	17h 18h	Alternate OEM Command Set (00h = not applicable)
0000h 0000h	19h 1Ah	Address for Alternate OEM Extended Table
0027h	1Bh	V <sub>CC</sub> Min voltage (write/erase) DQ <sub>7</sub> to DQ <sub>4</sub> : 1 V, DQ <sub>3</sub> to DQ <sub>0</sub> : 100 mV
0036h	1Ch	V <sub>CC</sub> Max voltage (write/erase) DQ <sub>7</sub> to DQ <sub>4</sub> : 1 V, DQ <sub>3</sub> to DQ <sub>0</sub> : 100 mV
0000h	1Dh	V <sub>PP</sub> Min voltage
0000h	1Eh	V <sub>PP</sub> Max voltage
0004h	1Fh	Typical timeout per word write 2 <sup>N</sup> μs
0000h	20h	Typical timeout for buffer write 2 <sup>N</sup> μs
000Ah	21h	Typical timeout per individual sector erase 2 <sup>N</sup> ms
0000h	22h	Typical timeout for full chip erase 2 <sup>N</sup> ms
0005h	23h	Max timeout for byte/word write 2 <sup>N</sup> times typical
0000h	24h	Max timeout for buffer write 2 <sup>N</sup> times typical
0004h	25h	Max timeout per individual sector erase 2 <sup>N</sup> times typical
0000h	26h	Max timeout for full chip erase 2 <sup>N</sup> times typical
0016h	27h	Device Size = 2 <sup>N</sup> byte
0002h 0000h	28h 29h	I/O information Flash Device Interface description 02h : ×8/×16
0000h 0000h	2Ah 2Bh	Max number of bytes in multi-byte write = 2 <sup>N</sup>
0002h	2Ch	Number of Erase Block Regions within device
0007h 0000h 0020h 0000h	2Dh 2Eh 2Fh 30h	Erase Block Region 1 Information bit 15 to bit 0 : y = number of sectors bit 31 to bit 16 : z = size (z × 256 bytes)
003Eh 0000h 0000h 0001h	31h 32h 33h 34h	Erase Block Region 2 Information bit 15 to bit 0 : y = number of sectors bit 31 to bit 16 : z = size (z × 256 bytes)
0050h 0052h 0049h	40h 41h 42h	Query-unique ASCII string "PRI"
0031h	43h	Major version number, ASCII

(Continued)

# MBM29DL32TF/BF-70

(Continued)

DQ <sub>15</sub> to DQ <sub>0</sub>	A <sub>6</sub> to A <sub>0</sub>	Description
0033h	44h	Minor version number, ASCII
0004h	45h	Address Sensitive and Silicon Version 04h = Required and 0.17 μm process technology 05h = Not required and 0.17 μm process technology
0002h	46h	Erase Suspend 02h = To Read & Write
0001h	47h	Sector Protection 00h = Not Supported X = Number of sectors per group
0001h	48h	Sector Temporary Unprotection 01h = Supported
0004h	49h	Sector Protection Algorithm
0038h	4Ah	Dual Operation 00h = Not Supported X = Total number of sectors in all banks except Bank 1
0000h	4Bh	Burst Mode Type 00h = Not Supported
0000h	4Ch	Page Mode Type 00h = Not Supported
0085h	4Dh	V <sub>ACC</sub> (Acceleration) Supply Minimum DQ <sub>7</sub> to DQ <sub>4</sub> : 1 V, DQ <sub>3</sub> to DQ <sub>0</sub> : 100 mV
0095h	4Eh	V <sub>ACC</sub> (Acceleration) Supply Maximum DQ <sub>7</sub> to DQ <sub>4</sub> : 1 V, DQ <sub>3</sub> to DQ <sub>0</sub> : 100 mV
00XXh	4Fh	Boot Type 02h = MBM29DL32BF 03h = MBM29DL32TF
0001h	50h	Program Suspend 01h = Supported
0004h	57h	Bank Organization X = Total Number of Banks
000Fh	58h	Bank A Region Information X = Number of sectors in Bank A
0018h	59h	Bank B Region Information X = Number of sectors in Bank B
0018h	5Ah	Bank C Region Information X = Number of sectors in Bank C
0008h	5Bh	Bank D Region Information X = Number of sectors in Bank D



## FUNCTIONAL DESCRIPTION

### 1. Simultaneous Operation

The device features functions that enable reading of data from one memory bank while a program or erase operation is in progress in the other memory bank (simultaneous operation), in addition to conventional features (read, program, erase, erase-suspend read, and erase-suspend program). The bank can be selected by bank address ( $A_{20}$ ,  $A_{19}$ ,  $A_{18}$ ) with zero latency. The device consists of the following four banks:

Bank A :  $8 \times 8$  KB and  $7 \times 64$  KB; Bank B :  $24 \times 64$  KB; Bank C :  $24 \times 64$  KB; Bank D :  $8 \times 64$  KB.

The device can execute simultaneous operations between Bank 1, a bank chosen from among the four banks, and Bank 2, a bank consisting of the three remaining banks. (See "FlexBank™ Architecture Table".) This is what we call a "FlexBank", for example, the rest of banks B, C and D to let the system read while Bank A is in the process of program (or erase) operation. However, the different types of operations for the three banks are impossible, e.g. Bank A writing, Bank B erasing, and Bank C reading out. With this "FlexBank", as described in "Example of Virtual Banks Combination Table", the system gets to select from four combinations of data volume for Bank 1 and Bank 2, which works well to meet the system requirement. The simultaneous operation cannot execute multi-function mode in the same bank. "Simultaneous Operation Table" shows the possible combinations for simultaneous operation. Refer to "8. Bank-to-Bank Read/Write Timing Diagram" in ■TIMING DIAGRAM.

**FlexBank™ Architecture Table**

Bank Splits	Bank 1		Bank 2	
	Volume	Combination	Volume	Combination
1	4 Mbit	Bank A	28 Mbit	Bank B, C, D
2	12 Mbit	Bank B	20 Mbit	Bank A, C, D
3	12 Mbit	Bank C	20 Mbit	Bank A, B, D
4	4 Mbit	Bank D	28 Mbit	Bank A, B, C

**Example of Virtual Banks Combination Table**

Bank Splits	Bank 1			Bank 2		
	Volume	Combination	Sector Size	Volume	Combination	Sector Size
1	4 Mbit	Bank A	$8 \times 8$ Kbyte/4 Kword + $7 \times 64$ Kbyte/32 Kword	28 Mbit	Bank B + Bank C + Bank D	$56 \times 64$ Kbyte/32 Kword
2	8 Mbit	Bank A + Bank D	$8 \times 8$ Kbyte/4 Kword + $15 \times 64$ Kbyte/32 Kword	24 Mbit	Bank B + Bank C	$48 \times 64$ Kbyte/32 Kword
3	16 Mbit	Bank A + Bank B	$8 \times 8$ Kbyte/4 Kword + $31 \times 64$ Kbyte/32 Kword	16 Mbit	Bank C + Bank D	$32 \times 64$ Kbyte/32 Kword

Note : When multiple sector erase over several banks is operated, the system cannot read out of the bank to which a sector being erased belongs. For example, suppose that erasing is taking place at both Bank A and Bank B, neither Bank A nor Bank B is read out (they would output the sequence flag once they were selected.) Meanwhile the system would get to read from either Bank C or Bank D.

**Simultaneous Operation Table**

Case	Bank 1 status	Bank 2 status
1	Read Mode	Read Mode
2	Read Mode	Autoselect Mode
3	Read Mode	Program Mode
4	Read Mode	Erase Mode *
5	Autoselect Mode	Read Mode
6	Program Mode	Read Mode
7	Erase Mode *	Read Mode

\* : By writing erase-suspend command on the bank address of sector being erased, the erase operation gets suspended so that it enables reading from or programming the remaining sectors.

Note: Bank 1 and Bank 2 are divided for the sake of convenience at Simultaneous Operation. The Bank consists of 4 banks, Bank A, Bank B, Bank C and Bank D. Bank Address (BA) means to specify each of the Banks.

## 2. Standby Mode

There are two ways to implement the standby mode on the MBM29DL32TF/BF devices, one using both the  $\overline{CE}$  and  $\overline{RESET}$  pins; the other via the  $\overline{RESET}$  pin only.

When using both pins, CMOS standby mode is achieved with  $\overline{CE}$  and  $\overline{RESET}$  inputs both held at  $V_{CC} \pm 0.3 V$ . Under this condition the current consumed is less than 5  $\mu A$  Max. During Embedded Algorithm operation,  $V_{CC}$  active current ( $I_{CC2}$ ) is required even when  $\overline{CE} = "H"$ . The device can be read with standard access time ( $t_{CE}$ ) from either of these standby modes.

When using the  $\overline{RESET}$  pin only, CMOS standby mode is achieved with  $\overline{RESET}$  input held at  $V_{SS} \pm 0.3 V$  ( $\overline{CE} = "H"$  or  $"L"$ ). Under this condition the current consumed is less than 5  $\mu A$  Max. Once the  $\overline{RESET}$  pin is taken high, the device requires  $t_{RH}$  of wake up time before outputs are valid for read access.

In the standby mode the outputs are in the high impedance state, independent of the  $\overline{OE}$  input.

## 3. Automatic Sleep Mode

Automatic sleep mode works to restrain power consumption during read-out of MBM29DL32TF/BF data. This mode can be used effectively with an application requested low power consumption such as handy terminals.

To activate this mode, MBM29DL32TF/BF automatically switch themselves to low power mode when MBM29DL32TF/BF addresses remain stable during access time of 150 ns. It is not necessary to control  $\overline{CE}$ ,  $\overline{WE}$ , and  $\overline{OE}$  on the mode. Under the mode, the current consumed is typically 1  $\mu A$  (CMOS Level).

During simultaneous operation,  $V_{CC}$  active current ( $I_{CC2}$ ) is required.

Since the data are latched during this mode, the data are continuously read-out. If the addresses are changed, the mode is automatically canceled and MBM29DL32TF/BF read-out the data for changed addresses.

## 4. Autoselect

The autoselect mode allows the reading out of a binary code from the devices and will identify its manufacturer and type. This mode is intended for use by programming equipment for the purpose of automatically matching the devices to be programmed with its corresponding programming algorithm. This mode is functional over the entire temperature range of the devices.

To activate this mode, the programming equipment must force  $V_{ID}$  on address pin  $A_9$ . Two identifier bytes may then be sequenced from the devices outputs by toggling address  $A_0$  from  $V_{IL}$  to  $V_{IH}$ . All addresses are DON'T CARES except  $A_6$ ,  $A_3$ ,  $A_2$ ,  $A_1$ ,  $A_0$  and  $(A_{-1})$ . (See "MBM29DL32TF/BF User Bus Operations Tables ( $\overline{BYTE} = V_{IH}$  and  $\overline{BYTE} = V_{IL}$ )" in ■DEVICE BUS OPERATION.)

The manufacturer and device codes may also be read via the command register, for instances when the MBM29DL32TF/BF are erased or programmed in a system without access to high voltage on the  $A_9$  pin. The

command sequence is illustrated in “MBM29DL32TF/BF Command Definitions Table” (■DEVICE BUS OPERATION). (Refer to “2. Autoselect Command” in ■COMMAND DEFINITIONS.)

In WORD mode, a read cycle from address 00h returns the manufacturer’s code (Fujitsu = 04h) . A read cycle at address 01h outputs device code. When 227Eh is output, it indicates that two additional codes, called Extended Device Codes will be required. Therefore the system may continue reading out these Extended Device Codes at addresses of 0Eh and 0Fh. Notice that the above applies to WORD mode; the addresses and codes differ from those of BYTE mode. (Refer to “MBM29DL32TF/BF Sector Group Protection Verify Autoselect Codes Tables” and “MBM29DL32TF/BF Extended Autoselect Code Tables” in ■DEVICE BUS OPERATION.)

In the case of applying  $V_{ID}$  on  $A_9$ , since both Bank 1 and Bank 2 enter Autoselect mode, simultaneous operation cannot be executed.

www.DataSheet4U.com

## 5. Read Mode

The MBM29DL32TF/BF have two control functions required to obtain data at the outputs.  $\overline{CE}$  is the power control and used for a device selection.  $\overline{OE}$  is the output control and used to gate data to the output pins if a device is selected.

Address access time ( $t_{ACC}$ ) is equal to the delay from stable addresses to valid output data. The chip enable access time ( $t_{CE}$ ) is the delay from stable addresses and stable  $\overline{CE}$  to valid data at the output pins. The output enable access time ( $t_{OE}$ ) is the delay from the falling edge of  $\overline{OE}$  to valid data at the output pins. (Assuming the addresses have been stable for at least  $t_{ACC-tOE}$  time.) When reading out a data without changing addresses after power-up, input hardware reset or to change  $\overline{CE}$  pin from “H” to “L”

## 6. Output Disable

With the  $\overline{OE}$  input at a logic high level ( $V_{IH}$ ) , output from the devices are disabled. This will cause the output pins to be in a high impedance state.

## 7. Write

Device erasure and programming are accomplished via the command register. The contents of the register serve as inputs to the internal state machine. The state machine outputs dictate the function of the device.

The command register itself does not occupy any addressable memory location. The register is a latch used to store the commands, along with the address and data information needed to execute the command. The command register is written by bringing  $\overline{WE}$  to  $V_{IL}$ , while  $\overline{CE}$  is at  $V_{IL}$  and  $\overline{OE}$  is at  $V_{IH}$ . Addresses are latched on the falling edge of  $\overline{WE}$  or  $\overline{CE}$ , whichever happens later; while data is latched on the rising edge of  $\overline{WE}$  or  $\overline{CE}$ , whichever happens first. Standard microprocessor write timings are used.

Refer to “■AC WRITE CHARACTERISTICS” and Erase/Programming Waveforms for specific timing parameters.

## 8. Sector Group Protection

The MBM29DL32TF/BF feature hardware sector group protection. This feature will disable both program and erase operations in any combination of twenty five sector groups of memory. (See “Sector Group Addresses Tables (MBM29DL32TF/BF)” in ■FLEXIBLE SECTOR-ERASE ARCHITECTURE) . The sector group protection feature is enabled using programming equipment at the user’s site. The device is shipped with all sector groups unprotected.

To activate this mode, the programming equipment must force  $V_{ID}$  on address pin  $A_9$  and control pin  $\overline{OE}$ , (suggest  $V_{ID} = 11.5 V$ ) ,  $\overline{CE} = V_{IL}$  and  $A_6 = A_3 = A_2 = A_0 = V_{IL}$ ,  $A_1 = V_{IH}$ . The sector group addresses ( $A_{20}$ ,  $A_{19}$ ,  $A_{18}$ ,  $A_{17}$ ,  $A_{16}$ ,  $A_{15}$ ,  $A_{14}$ ,  $A_{13}$ , and  $A_{12}$ ) should be set to the sector to be protected. “Sector Address Tables (MBM29DL32TF/BF)” in ■FLEXIBLE SECTOR-ERASE ARCHITECTURE define the sector address for each of the seventy one (71) individual sectors, and “Sector Group Addresses Tables (MBM29DL32TF/BF)” in ■FLEXIBLE SECTOR-ERASE ARCHITECTURE define the sector group address for each of the twenty five (25) individual group sectors. Programming of the protection circuitry begins on the falling edge of the  $\overline{WE}$  pulse and is terminated with the rising edge of the same. Sector group addresses must be held constant during the  $\overline{WE}$  pulse. See “15. Sector Group Protection Timing Diagram” in ■TIMING DIAGRAM and “5. Sector Group Protection Algorithm” in ■FLOW

CHART for sector group protection waveforms and algorithm.

To verify programming of the protection circuitry, the programming equipment must force  $V_{ID}$  on address pin  $A_9$  with  $\overline{CE}$  and  $\overline{OE}$  at  $V_{IL}$  and  $\overline{WE}$  at  $V_{IH}$ . Scanning the sector group addresses ( $A_{20}, A_{19}, A_{18}, A_{17}, A_{16}, A_{15}, A_{14}, A_{13}$ , and  $A_{12}$ ) while  $(A_6, A_3, A_2, A_1, A_0) = (0, 0, 0, 1, 0)$  will produce a logic “1” code at device output  $DQ_0$  for a protected sector. Otherwise the device will produce “0” for unprotected sector. In this mode, the lower order addresses, except for  $A_6, A_1$ , and  $A_0$  are DON’T CARES. Address locations with  $A_1 = V_{IL}$  are reserved for Autoselect manufacturer and device codes.  $A_{-1}$  requires to apply to  $V_{IL}$  on byte mode.

It is also possible to determine if a sector group is protected in the system by writing an Autoselect command. Performing a read operation at the address location  $XX02h$ , where the higher order addresses ( $A_{20}, A_{19}, A_{18}, A_{17}, A_{16}, A_{15}, A_{14}, A_{13}$ , and  $A_{12}$ ) are the desired sector group address will produce a logic “1” at  $DQ_0$  for a protected sector group. See “MBM29DL32TF/BF Sector Group Protection Verify Autoselect Codes Tables” and

www.DataSheet4U “MBM29DL32TF/BF Extended Autoselect Code Tables” in ■DEVICE BUS OPERATION for Autoselect codes.

## 9. Temporary Sector Group Unprotection

This feature allows temporary unprotection of previously protected sector groups of the MBM29DL32TF/BF devices in order to change data. The Sector Group Unprotection mode is activated by setting the  $\overline{RESET}$  pin to high voltage ( $V_{ID}$ ). During this mode, formerly protected sector groups can be programmed or erased by selecting the sector group addresses. Once the  $V_{ID}$  is taken away from the  $\overline{RESET}$  pin, all the previously protected sector groups will be protected again. Refer to “16. Temporary Sector Group Unprotection Timing Diagram” in ■TIMING DIAGRAM and “6. Temporary Sector Group Unprotection Algorithm” in ■FLOW CHART.

## 10. $\overline{RESET}$

Hardware Reset

The MBM29DL32TF/BF devices may be reset by driving the  $\overline{RESET}$  pin to  $V_{IL}$ . The  $\overline{RESET}$  pin has a pulse requirement and has to be kept low ( $V_{IL}$ ) for at least “ $t_{RP}$ ” in order to properly reset the internal state machine. Any operation in the process of being executed will be terminated and the internal state machine will be reset to the read mode “ $t_{READY}$ ” after the  $\overline{RESET}$  pin is driven low. Furthermore, once the  $\overline{RESET}$  pin goes high, the devices require an additional “ $t_{RH}$ ” before it will allow read access. When the  $\overline{RESET}$  pin is low, the devices will be in the standby mode for the duration of the pulse and all the data output pins will be tri-stated. If a hardware reset occurs during a program or erase operation, the data at that particular location will be corrupted. Please note that the  $RY/\overline{BY}$  output signal should be ignored during the  $\overline{RESET}$  pulse. See “11.  $\overline{RESET}$ ,  $RY/\overline{BY}$  Timing Diagram” in ■TIMING DIAGRAM for the timing diagram. Refer to “9. Temporary Sector Group Unprotection” for additional functionality.

## 11. Byte/Word Configuration

The  $\overline{BYTE}$  pin selects the byte (8-bit) mode or word (16-bit) mode for the MBM29DL32TF/BF devices. When this pin is driven high, the devices operate in the word (16-bit) mode. The data is read and programmed at  $DQ_0$  to  $DQ_{15}$ . When this pin is driven low, the devices operate in byte (8-bit) mode. Under this mode, the  $DQ_{15}/A_{-1}$  pin becomes the lowest address bit and  $DQ_{14}$  to  $DQ_8$  bits are tri-stated. However, the command bus cycle is always an 8-bit operation and hence commands are written at  $DQ_7$  to  $DQ_0$  and the  $DQ_{15}$  to  $DQ_8$  bits are ignored. Refer to “12. Timing Diagram for Word Mode Configuration”, “13. Timing Diagram for Byte Mode Configuration” and “14.  $\overline{BYTE}$  Timing Diagram for Write Operations” in ■TIMING DIAGRAM for the timing diagram.

## 12. Boot Block Sector Protection

The Write Protection function provides a hardware method of protecting certain boot sectors without using  $V_{ID}$ . This function is one of two provided by the  $\overline{WP}/ACC$  pin.

If the system asserts  $V_{IL}$  on the  $\overline{WP}/ACC$  pin, the device disables program and erase functions in the two “outermost” 8 K byte boot sectors (MBM29DL32TF : SA69 and SA70, MBM29DL32BF : SA0 and SA1) independently of whether those sectors were protected or unprotected using the method described in “Sector Group Protection”. The two outermost 8 K byte boot sectors are the two sectors containing the lowest addresses in a

bottom-boot-configured device, or the two sectors containing the highest addresses in a top-boot-configured device.

If the system asserts  $V_{IH}$  on the  $\overline{WP}/ACC$  pin, the device reverts to whether the two outermost 8 K byte boot sectors were last set to be protected or unprotected. That is, sector group protection or unprotection for these two sectors depends on whether they were last protected or unprotected using the method described in "Sector Group Protection".

### 13. Accelerated Program Operation

MBM29DL32TF/BF offers accelerated program operation which enables the programming in high speed.

If the system asserts  $V_{ACC}$  to the  $\overline{WP}/ACC$  pin, the device automatically enters the acceleration mode and the time required for program operation will reduce to about 60%. This function is primarily intended to allow high speed program, so caution is needed as the sector group will temporarily be unprotected.

The system would use a fast program command sequence when programming during acceleration mode.

Set command to fast mode and reset command from fast mode are not necessary. When the device enters the acceleration mode, the device automatically set to fast mode. Therefore, the present sequence could be used for programming and detection of completion during acceleration mode.

Removing  $V_{ACC}$  from the  $\overline{WP}/ACC$  pin returns the device to normal operation. Do not remove  $V_{ACC}$  from  $\overline{WP}/ACC$  pin while programming. See "18. Accelerated Program Timing Diagram" in ■TIMING DIAGRAM.

Erase operation at Acceleration mode is strictly prohibited.

## ■ COMMAND DEFINITIONS

Device operations are selected by writing specific address and data sequences into the command register. Some commands are required Bank Address (BA) input. When command sequences are inputted to bank being read, the commands have priority than reading. "MBM29DL32TF/BF Command Definitions Table" in ■DEVICE BUS OPERATION defines the valid register command sequences. Note that the Erase Suspend (B0h) and Erase Resume (30h) commands are valid only while the Sector Erase operation is in progress. Also the Program Suspend (B0h) and Program Resume (30h) commands are valid only while the Program operation is in progress. Moreover both Read/Reset commands are functionally equivalent, resetting the device to the read mode. Please note that commands are always written at DQ<sub>7</sub> to DQ<sub>0</sub> and DQ<sub>15</sub> to DQ<sub>8</sub> bits are ignored.

### 1. Read/Reset Command

In order to return from Autoselect mode or Exceeded Timing Limits (DQ<sub>5</sub> = 1) to Read/Reset mode, the Read/Reset operation is initiated by writing the Read/Reset command sequence into the command register. Microprocessor read cycles retrieve array data from the memory. The devices remain enabled for reads until the command register contents are altered.

The devices will automatically power-up in the Read/Reset state. In this case, a command sequence is not required to read data. Standard microprocessor read cycles will retrieve array data. This default value ensures that no spurious alteration of the memory content occurs during the power transition. Refer to the AC Characteristics and waveforms for the specific timing parameters.

### 2. Autoselect Command

Flash memories are intended for use in applications where the local CPU alters memory contents. As such, manufacture and device codes must be accessible while the devices reside in the target system. PROM programmers typically access the signature codes by raising A<sub>9</sub> to a high voltage. However, multiplexing high voltage onto the address lines is not generally desired system design practice.

The device contains an Autoselect command operation to supplement traditional PROM programming methodology. The operation is initiated by writing the Autoselect command sequence into the command register.

The Autoselect command sequence is initiated by first writing two unlock cycles. This is followed by a third write cycle that contains the bank address (BA) and the Autoselect command. Then the manufacture and device codes can be read from the bank, and an actual data of memory cell can be read from the another bank.

Following the command write, in WORD mode, a read cycle from address (BA) 00h returns the manufacturer's code (Fujitsu = 04h). And a read cycle at address (BA) 01h outputs device code. When 227Eh was output, this indicates that two additional codes, called Extended Device Codes will be required. Therefore the system may continue reading out these Extended Device Codes at the address of (BA) 0Eh, as well as at (BA) 0Fh. Notice that the above applies to WORD mode. The addresses and codes differ from those of BYTE mode. (Refer to "MBM29DL32TF/BF Sector Group Protection Verify Autoselect Codes Tables" and "MBM29DL32TF/BF Extended Autoselect Code Tables" in ■DEVICE BUS OPERATION.)

All manufacturer and device codes will exhibit odd parity with DQ<sub>7</sub> defined as the parity bit. Sector state (protection or unprotection) will be informed by address (BA) 02h for ×16 (BA) 04h for ×8). Scanning the sector group addresses (A<sub>20</sub>, A<sub>19</sub>, A<sub>18</sub>, A<sub>17</sub>, A<sub>16</sub>, A<sub>15</sub>, A<sub>14</sub>, A<sub>13</sub>, and A<sub>12</sub>) while (A<sub>6</sub>, A<sub>3</sub>, A<sub>2</sub>, A<sub>1</sub>, A<sub>0</sub>) = (0, 0, 0, 1, 0) will produce a logic "1" at device output DQ<sub>0</sub> for a protected sector group. The programming verification should be performed by verify sector group protection on the protected sector. (See "MBM29DL32TF/BF Sector Group Protection Verify Autoselect Codes Tables" and "MBM29DL32TF/BF Extended Autoselect Code Tables" in ■DEVICE BUS OPERATION.)

The manufacture and device codes can be allowed reading from selected bank. To read the manufacture and device codes and sector group protection status from non-selected bank, it is necessary to write Read/Reset command sequence into the register and then Autoselect command should be written into the bank to be read. If the software (program code) for Autoselect command is stored into the Flash memory, the device and manufacture codes should be read from the other bank where is not contain the software.

To terminate the operation, it is necessary to write the Read/Reset command sequence into the register, and also to write the Autoselect command during the operation, execute it after writing Read/Reset command sequence.

### 3. Byte/Word Programming

The devices are programmed on a byte-by-byte (or word-by-word) basis. Programming is a four bus cycle operation. There are two "unlock" write cycles. These are followed by the program set-up command and data



write cycles. Addresses are latched on the falling edge of  $\overline{CE}$  or  $\overline{WE}$ , whichever happens later and the data is latched on the rising edge of  $\overline{CE}$  or  $\overline{WE}$ , whichever happens first. The rising edge of  $\overline{CE}$  or  $\overline{WE}$  (whichever happens first) begins programming. Upon executing the Embedded Program Algorithm command sequence, the system is not required to provide further controls or timings. The device will automatically provide adequate internally generated program pulses and verify the programmed cell margin.

The system can determine the status of the program operation by using  $DQ_7$  ( $\overline{\text{Data Polling}}$ ),  $DQ_6$  (Toggle Bit), or  $RY/\overline{BY}$ . The  $\overline{\text{Data Polling}}$  and Toggle Bit must be performed at the memory location which is being programmed. The automatic programming operation is completed when the data on  $DQ_7$  is equivalent to data written to this bit at which time the devices return to the read mode and addresses are no longer latched. (See "Hardware Sequence Flags Table".) Therefore, the  $\overline{\text{Data Polling}}$  requires that a valid address to the devices be supplied by the system at this particular instance. Hence,  $\overline{\text{Data Polling}}$  must be performed at the memory location which is being programmed.

If hardware reset occurs during the programming operation, it is impossible to guarantee the data being written. Programming is allowed in any sequence and across sector boundaries. Beware that a data "0" cannot be programmed back to a "1". Attempting to do so may either hang up the device or result in an apparent success according to the data polling algorithm but a read from Read/Reset mode will show that the data is still "0". Only erase operations can convert "0"s to "1"s.

"1. Embedded Program™ Algorithm" in ■FLOW CHART illustrates the Embedded Program™ Algorithm using typical command strings and bus operations.

#### 4. Program Suspend/Resume

The Program Suspend command allows the system to interrupt a program operation so that data can be read from any address. Writing the Program Suspend command (B0h) during the embedded Program operation immediately suspends the programming. The Program Suspend command may also be issued during a programming operation while an erase is suspended. The bank addresses of sector being programmed should be set when writing the Program Suspend command.

When the Program Suspend command is written during a programming process, the device halts the program operation within 1  $\mu\text{s}$  and updates the status bits.

After the program operation has been suspended, the system can read data from any address. The data at program-suspended address is not valid. Normal read timing and command definitions apply.

After the Program Resume command (30h) is written, the device reverts to programming. The bank addresses of sectors being suspended should be set when writing the Program Resume command. The system can determine the program operation status using the  $DQ_7$  or  $DQ_6$  status bits, just as in the standard program operation. See "Write Operation Status" for more information.

The system also writes Autoselect command sequence in the Program Suspend mode. The device allows reading autoselect codes at the addresses within programming sectors, since the codes are not stored in the memory. When the device exits from the Autoselect mode, the device reverts to the Program Suspend mode, and is ready for another valid operation. See "Autoselect Command Sequence" for more information.

The system must write the Program Resume command (address bits are "Bank Address") to exit from the Program Suspend mode and continue programming operation. Further writes of the Resume command are ignored. Another Program Suspend command can be written after the device resumes programming.

#### 5. Chip Erase

Chip erase is a six bus cycle operation. There are two "unlock" write cycles. These are followed by writing the "set-up" command. Two more "unlock" write cycles are then followed by the chip erase command.

Chip erase does not require the user to program the device prior to erase. Upon executing the Embedded Erase Algorithm command sequence the devices will automatically program and verify the entire memory for an all zero data pattern prior to electrical erase (Preprogram function). The system is not required to provide any controls or timings during these operations.

The system can determine the status of the erase operation by using  $DQ_7$  ( $\overline{\text{Data Polling}}$ ),  $DQ_6$  (Toggle Bit), or  $RY/\overline{BY}$ . The chip erase begins on the rising edge of the last  $\overline{CE}$  or  $\overline{WE}$ , whichever happens first in the command sequence and terminates when the data on  $DQ_7$  is "1" (See Write Operation Status section.) at which time the device returns to read the mode.

Chip Erase Time = Sector Erase Time × All sectors + Chip Program Time (Preprogramming)

“2. Embedded Erase™ Algorithm” in ■FLOW CHART illustrates the Embedded Erase™ Algorithm using typical command strings and bus operations.

## 6. Sector Erase

Sector erase is a six bus cycle operation. There are two “unlock” write cycles. These are followed by writing the “set-up” command. Two more “unlock” write cycles are then followed by the Sector Erase command. The sector address (any address location within the desired sector) is latched on the falling edge of  $\overline{CE}$  or  $\overline{WE}$  whichever happens later, while the command (Data = 30h) is latched on the rising edge of  $\overline{CE}$  or  $\overline{WE}$  which happens first. After time-out of “ $t_{row}$ ” from the rising edge of the last sector erase command, the sector erase operation will begin. Multiple sectors may be erased concurrently by writing the six bus cycle operations on “MBM29DL32TF/BF Command Definitions Table” in ■DEVICE BUS OPERATION. This sequence is followed with writes of the Sector Erase command to addresses in other sectors desired to be concurrently erased. The time between writes must be less than “ $t_{row}$ ” otherwise that command will not be accepted and erasure will start. It is recommended that processor interrupts be disabled during this time to guarantee this condition. The interrupts can be re-enabled after the last Sector Erase command is written. A time-out of “ $t_{row}$ ” from the rising edge of last  $\overline{CE}$  or  $\overline{WE}$  whichever happens first will initiate the execution of the Sector Erase command (s) . If another falling edge of  $\overline{CE}$  or  $\overline{WE}$ , whichever happens first occurs within the “ $t_{row}$ ” time-out window the timer is reset. (Monitor  $DQ_3$  to determine if the sector erase timer window is still open, see “16.  $DQ_3$  Sector Erase Timer”.) Resetting the devices once execution has begun will corrupt the data in the sector. In that case, restart the erase on those sectors and allow them to complete. (Refer to “12. Write Operation Status” for Sector Erase Timer operation.) Loading the sector erase buffer may be done in any sequence and with any number of sectors (0 to 38) .

Sector erase does not require the user to program the devices prior to erase. The devices automatically program all memory locations in the sector (s) to be erased prior to electrical erase (Preprogram function) . When erasing a sector or sectors the remaining unselected sectors are not affected. The system is not required to provide any controls or timings during these operations.

The system can determine the status of the erase operation by using  $DQ_7$  ( $\overline{Data}$  Polling) ,  $DQ_6$  (Toggle Bit) , or  $RY/\overline{BY}$ .

The sector erase begins after the “ $t_{row}$ ” time out from the rising edge of  $\overline{CE}$  or  $\overline{WE}$  whichever happens first for the last sector erase command pulse and terminates when the data on  $DQ_7$  is “1” (See “12. Write Operation Status”.) at which time the devices return to the read mode.  $\overline{Data}$  polling and Toggle Bit must be performed at an address within any of the sectors being erased.

Multiple Sector Erase Time = [Sector Erase Time + Sector Program Time (Preprogramming) ] × Number of Sector Erase

In case of multiple sector erase across bank boundaries, a read from bank (read-while-erase) can not perform.

“2. Embedded Erase™ Algorithm” in ■FLOW CHART illustrates the Embedded Erase™ Algorithm using typical command strings and bus operations.

## 7. Erase Suspend/Resume

The Erase Suspend command allows the user to interrupt a Sector Erase operation and then perform data reads from or programs to a sector not being erased. This command is applicable ONLY during the Sector Erase operation which includes the time-out period for sector erase. Writing the Erase Suspend command (B0h) during the Sector Erase time-out results in immediate termination of the time-out period and suspension of the erase operation.

Writing the Erase Resume command (30h) resumes the erase operation. The bank addresses of sector being erasing or suspending should be set when writing the Erase Suspend or Erase Resume command.

When the Erase Suspend command is written during the Sector Erase operation, the device will take a maximum of “ $t_{SPD}$ ” to suspend the erase operation. When the devices have entered the erase-suspended mode, the  $RY/\overline{BY}$  output pin will be at High-Z and the  $DQ_7$  bit will be at logic “1”, and  $DQ_6$  will stop toggling. The user must use the address of the erasing sector for reading  $DQ_6$  and  $DQ_7$  to determine if the erase operation has been suspended. Further writes of the Erase Suspend command are ignored.

When the erase operation has been suspended, the devices default to the erase-suspend-read mode. Reading



data in this mode is the same as reading from the standard read mode except that the data must be read from sectors that have not been erase-suspended. Successively reading from the erase-suspended sector while the device is in the erase-suspend-read mode will cause  $DQ_2$  to toggle. (See “17.  $DQ_2$ ”.)

After entering the erase-suspend-read mode, the user can program the device by writing the appropriate command sequence for Program. This program mode is known as the erase-suspend-program mode. Again, programming in this mode is the same as programming in the regular Program mode except that the data must be programmed to sectors that are not erase-suspended. Successively reading from the erase-suspended sector while the devices are in the erase-suspend-program mode will cause  $DQ_2$  to toggle. The end of the erase-suspended Program operation is detected by the  $\overline{RY/BY}$  output pin,  $\overline{Data}$  polling of  $DQ_7$  or by the Toggle Bit I ( $DQ_6$ ) which is the same as the regular Program operation. Note that  $DQ_7$  must be read from the Program address while  $DQ_6$  can be read from any address within bank being erase-suspended.

To resume the operation of Sector Erase, the Resume command (30h) should be written to the bank being erase suspended. Any further writes of the Resume command at this point will be ignored. Another Erase Suspend command can be written after the chip has resumed erasing.

## 8. Extended Command

### (1) Fast Mode

MBM29DL32TF/BF has Fast Mode function. This mode dispenses with the initial two unlock cycles required in the standard program command sequence by writing Fast Mode command into the command register. In this mode, the required bus cycle for programming is two cycles instead of four bus cycles in standard program command. The read operation is also executed after exiting this mode. During the Fast mode, do not write any commands other than the Fast program/Fast mode reset command. To exit this mode, it is necessary to write Fast Mode Reset command into the command register. The first cycle must contain the bank address. (Refer to “8. Embedded Program™ Algorithm for Fast Mode” in ■FLOW CHART.) The  $V_{CC}$  active current is required even  $\overline{CE} = V_{IH}$  during Fast Mode.

### (2) Fast Programming

During Fast Mode, the programming can be executed with two bus cycles operation. The Embedded Program Algorithm is executed by writing program set-up command (A0h) and data write cycles (PA/PD) . (Refer to “8. Embedded Program™ Algorithm for Fast Mode” in ■FLOW CHART.)

### (3) Extended Sector Group Protection

In addition to normal sector group protection, the MBM29DL32TF/BF has Extended Sector Group Protection as extended function. This function enables to protect sector group by forcing  $V_{ID}$  on  $\overline{RESET}$  pin and write a command sequence. Unlike conventional procedure, it is not necessary to force  $V_{ID}$  and control timing for control pins. The extended sector group protection requires  $V_{ID}$  on  $\overline{RESET}$  pin only. With this condition, the operation is initiated by writing the set-up command (60h) into the command register. Then, the sector group addresses pins ( $A_{20}, A_{19}, A_{18}, A_{17}, A_{16}, A_{15}, A_{14}, A_{13}$  and  $A_{12}$ ) and ( $A_6, A_3, A_2, A_1, A_0$ ) = (0, 0, 0, 1, 0) should be set to the sector group to be protected (recommend to set  $V_{IL}$  for the other addresses pins) , and write extended sector group protection command (60h) . A sector group is typically protected in 250  $\mu s$ . To verify programming of the protection circuitry, the sector group addresses pins ( $A_{20}, A_{19}, A_{18}, A_{17}, A_{16}, A_{15}, A_{14}, A_{13}$  and  $A_{12}$ ) and ( $A_6, A_3, A_2, A_1, A_0$ ) = (0, 0, 0, 1, 0) should be set and write a command (40h) . Following the command write, a logic “1” at device output  $DQ_0$  will produce for protected sector in the read operation. If the output data is logic “0”, please repeat to write extended sector group protection command (60h) again. To terminate the operation, it is necessary to set  $\overline{RESET}$  pin to  $V_{IH}$ . (Refer to “17. Extended Sector Group Protection Timing Diagram” in ■TIMING DIAGRAM and “7. Extended Sector Group Protection Algorithm” in ■FLOW CHART.)

### (4) Query (CFI : Common Flash Memory Interface)

The CFI (Common Flash Memory Interface) specification outlines device and host system software interrogation handshake which allows specific vendor-specified software algorithms to be used for entire families of devices. This allows device-independent, JEDEC ID-independent, and forward-and backward-compatible software support for the specified flash device families. Refer to Common Flash memory Interface code.

The operation is initiated by writing the query command (98h) into the command register. The bank address should be set when writing this command. Then the device information can be read from the bank, and an actual

data of memory cell be read from the another bank. Following the command write, a read cycle from specific address retrieves device information. Please note that output data of upper byte (DQ<sub>15</sub> to DQ<sub>8</sub>) is "0" in word mode (16 bit) read. Refer to the Common Flash memory Interface code table. To terminate operation, it is necessary to write the read/reset command sequence into the register. (See "Common Flash Memory Interface Code Table" in ■FLEXIBLE SECTOR-ERASE ARCHITECTURE.)

## 9. HiddenROM Region

The HiddenROM feature provides a Flash memory region that the system may access through a new command sequence. This is primarily intended for customers who wish to use an Electronic Serial Number (ESN) in the device with the ESN protected against modification. Once the HiddenROM region is protected, any further modification of that region is impossible. This ensures the security of the ESN once the product is shipped to the field.

The HiddenROM region is 256 bytes in length and is stored at the same address of SA0 in Bank A. The MBM29DL32TF occupies the address of the byte mode 3FE000h to 3FE0FFh (word mode 1FF000h to 1FF07Fh) and the MBM29DL32BF type occupies the address of the byte mode 000000h to 0000FFh (word mode 000000h to 00007Fh) . After the system has written the Enter HiddenROM command sequence, the system may read the HiddenROM region by using the addresses normally occupied by the boot sectors. That is, the device sends all commands that would normally be sent to the boot sectors to the HiddenROM region. This mode of operation continues until the system issues the Exit HiddenROM command sequence, or until power is removed from the device. On power-up, or following a hardware reset, the device reverts to sending commands to the boot sectors.

When reading the HiddenROM region, either change addresses or change  $\overline{CE}$  pin from "H" to "L". The same procedure should be taken (changing addresses or  $\overline{CE}$  pin from "H" to "L") after the system issues the Exit HiddenROM command sequence to read actual memory cell data.

## 10. HiddenROM Entry Command

The device has a HiddenROM area with one time protect function. This area is to enter the security code and to unable the change of the code once set. Programming is allowed in this area until it is protected. However, once it gets protected, it is impossible to unprotect. Therefore, extreme caution is required.

The HiddenROM area is 256 bytes. This area is normally the "outermost" 8 Kbyte boot block area in Bank 1. Therefore, write the HiddenROM entry command sequence to enter the HiddenROM area. It is called HiddenROM mode when the HiddenROM area appears.

Sectors other than the boot block area SA0 can be read during HiddenROM mode. Read/program of the HiddenROM area is possible during HiddenROM mode. Write the HiddenROM reset command sequence to exit the HiddenROM mode. The bank address of the HiddenROM should be set on the third cycle of this reset command sequence.

In HiddenROM mode, the simultaneous operation cannot be executed multi-function mode between the HiddenROM area and the Bank A. Note that any other commands should not be issued other than the HiddenROM program/protection/reset commands during the HiddenROM mode. When you issue the other commands including the suspend resume, send the HiddenROM reset command first to exit the HiddenROM mode and then issue each command.

## 11. HiddenROM Program Command

To program the data to the HiddenROM area, write the HiddenROM program command sequence during HiddenROM mode. This command is the same as the usual program command, except that it needs to write the command during HiddenROM mode. Therefore the detection of completion method is the same as in the past, using the DQ<sub>7</sub> data pooling, DQ<sub>6</sub> toggle bit and RY/ $\overline{BY}$  pin. You should pay attention to the address to be programmed. If an address not in the HiddenROM area is selected, the previous data will be deleted. During the write into the HiddenROM region, the program suspend command issuance is prohibited.

## 12. HiddenROM Protect Command

There are two methods to protect the HiddenROM area. One is to write the sector group protect setup command (60h) , set the sector address in the HiddenROM area and (A<sub>6</sub>, A<sub>3</sub>, A<sub>2</sub>, A<sub>1</sub>, A<sub>0</sub>) = (0, 0, 0, 1, 0) , and write the sector group protect command (60h) during the HiddenROM mode. The same command sequence may be used because it is the same as the extension sector group protect in the past, except that it is in the HiddenROM

mode and does not apply high voltage to the  $\overline{\text{RESET}}$  pin. Please refer to “7. Extended Command (3) Extended Sector Group Protection” for details of extension sector group protect setting.

The other method is to apply high voltage ( $V_{ID}$ ) to  $A_9$  and  $\overline{\text{OE}}$ , set the sector address in the HiddenROM area and  $(A_6, A_3, A_2, A_1, A_0) = (0, 0, 0, 1, 0)$ , and apply the write pulse during the HiddenROM mode. To verify the protect circuit, apply high voltage ( $V_{ID}$ ) to  $A_9$ , specify  $(A_6, A_3, A_2, A_1, A_0) = (0, 0, 0, 1, 0)$  and the sector address in the HiddenROM area, and read. When “1” appears on  $DQ_0$ , the protect setting is completed. “0” will appear on  $DQ_0$  if it is not protected. Apply write pulse again. The same command sequence could be used for the above method because other than the HiddenROM mode, it is the same as the sector group protect previously mentioned. Refer to “8. Secor Group Protection” in ■FUNCTIONAL DESCRIPTION for details of the sector group protect setting.

Take note that other sector groups will be affected if an address other than those for the HiddenROM area is selected for the sector group address, so please be careful. Pay close attention that once it is protected, protection CANNOT BE CANCELLED.

### 13. Write Operation Status

Detailed in “Hardware Sequence Flags Table” are all the status flags that can determine the status of the bank for the current mode operation. The read operation from the bank that does not operate Embedded Algorithm returns a data of memory cell. These bits offer a method for determining whether a Embedded Algorithm is completed properly. The information on  $DQ_2$  is address sensitive. This means that if an address from an erasing sector is consecutively read, then the  $DQ_2$  bit will toggle. However,  $DQ_2$  will not toggle if an address from a non-erasing sector is consecutively read. This allows the user to determine which sectors are erasing and which are not.

The status flag is not output from bank (non-busy bank) not executing Embedded Algorithm. For example, there is bank (busy bank) which is now executing Embedded Algorithm. When the read sequence is [1] <busy bank>, [2] <non-busy bank>, [3] <busy bank>, the  $DQ_6$  is toggling in the case of [1] and [3]. In case of [2], the data of memory cell is outputted. In the erase-suspend read mode with the same read sequence,  $DQ_6$  will not be toggled in the [1] and [3].

In the erase suspend read mode,  $DQ_2$  is toggled in the [1] and [3]. In case of [2], the data of memory cell is outputted.

**Hardware Sequence Flags Table**

Status		$DQ_7$	$DQ_6$	$DQ_5$	$DQ_3$	$DQ_2$	
In Progress	Embedded Program Algorithm	$\overline{DQ_7}$	Toggle	0	0	1	
	Embedded Erase Algorithm	0	Toggle	0	1	Toggle *1	
	Erase Suspended Mode	Erase Suspend Read (Erase Suspended Sector)	1	1	0	0	Toggle
		Erase Suspend Read (Non-Erase Suspended Sector)	Data	Data	Data	Data	Data
		Erase Suspend Program (Non-Erase Suspended Sector)	$\overline{DQ_7}$	Toggle	0	0	1 *2
	Program Suspended Mode	Program Suspend Read (Program Suspended Sector)	Data	Data	Data	Data	Data
Program Suspend Read (Non-Program Suspended Sector)		Data	Data	Data	Data	Data	
Exceeded Time Limits	Embedded Program Algorithm	$\overline{DQ_7}$	Toggle	1	0	1	
	Embedded Erase Algorithm	0	Toggle	1	1	N/A	
	Erase Suspended Mode	Erase Suspend Program (Non-Erase Suspended Sector)	$\overline{DQ_7}$	Toggle	1	0	N/A

\*1: Successive reads from the erasing or erase-suspend sector will cause DQ<sub>2</sub> to toggle.

\*2: Reading from non-erase suspend sector address will indicate logic “1” at the DQ<sub>2</sub> bit.

## 14. DQ<sub>7</sub>

### Data Polling

The device features  $\overline{\text{Data}}$  Polling as a method to indicate to the host that the Embedded Algorithms are in progress or completed. During the Embedded Program Algorithm an attempt to read the devices will produce the complement of the data last written to DQ<sub>7</sub>. Upon completion of the Embedded Program Algorithm, an attempt to read the device will produce the true data last written to DQ<sub>7</sub>. During the Embedded Erase Algorithm, an attempt to read the device will produce a “0” at the DQ<sub>7</sub> output. Upon completion of the Embedded Erase Algorithm an attempt to read the device will produce a “1” at the DQ<sub>7</sub> output. The flowchart for  $\overline{\text{Data}}$  Polling (DQ<sub>7</sub>) is shown in “3.  $\overline{\text{Data}}$  Polling Algorithm” in ■FLOW CHART.

For programming, the  $\overline{\text{Data}}$  Polling is valid after the rising edge of fourth write pulse in the four write pulse sequence.

For chip erase and sector erase, the  $\overline{\text{Data}}$  Polling is valid after the rising edge of the sixth write pulse in the six write pulse sequence.  $\overline{\text{Data}}$  Polling must be performed at sector address within any of the sectors being erased and not a protected sector. Otherwise the status may not be valid.

If a program address falls within a protected sector,  $\overline{\text{Data}}$  Polling on DQ<sub>7</sub> is active for approximately 1 μs, then that bank returns to the read mode. After an erase command sequence is written, if all sectors selected for erasing are protected,  $\overline{\text{Data}}$  Polling on DQ<sub>7</sub> is active for approximately 400 μs, then the bank returns to read mode. Once the Embedded Algorithm operation is close to being completed, the MBM29DL32TF/BF data pins (DQ<sub>7</sub>) may change asynchronously while the output enable ( $\overline{\text{OE}}$ ) is asserted low. This means that the devices are driving status information on DQ<sub>7</sub> at one instant of time and then that byte's valid data at the next instant of time. Depending on when the system samples the DQ<sub>7</sub> output, it may read the status or valid data. Even if the device has completed the Embedded Algorithm operation and DQ<sub>7</sub> has a valid data, the data outputs on DQ<sub>6</sub> to DQ<sub>0</sub> may be still invalid. The valid data on DQ<sub>7</sub> to DQ<sub>0</sub> will be read on the successive read attempts.

The  $\overline{\text{Data}}$  Polling feature is only active during the Embedded Programming Algorithm, Embedded Erase Algorithm or sector erase time-out. (See “Hardware Sequence Flags Table”.)

See “6.  $\overline{\text{Data}}$  Polling during Embedded Algorithm Operation Timing Diagram” in ■TIMING DIAGRAM for the  $\overline{\text{Data}}$  Polling timing specifications and diagrams.

## 15. DQ<sub>6</sub>

### Toggle Bit I

The device also features the “Toggle Bit I” as a method to indicate to the host system that the Embedded Algorithms are in progress or completed.

During an Embedded Program or Erase Algorithm cycle, successive attempts to read ( $\overline{\text{OE}}$  toggling) data from the devices will result in DQ<sub>6</sub> toggling between one and zero. Once the Embedded Program or Erase Algorithm cycle is completed, DQ<sub>6</sub> will stop toggling and valid data will be read on the next successive attempts. During programming, the Toggle Bit I is valid after the rising edge of the fourth write pulse in the four write pulse sequence. For chip erase and sector erase, the Toggle Bit I is valid after the rising edge of the sixth write pulse in the six write pulse sequence. The Toggle Bit I is active during the sector time out.

In programming, if the sector being written to is protected, the toggle bit will toggle for about 1 μs and then stop toggling without the data having changed. In erase, the devices will erase all the selected sectors except for the ones that are protected. If all selected sectors are protected, the chip will toggle the toggle bit for about 400 μs and then drop back into read mode, having changed none of the data.

Either  $\overline{\text{CE}}$  or  $\overline{\text{OE}}$  toggling will cause the DQ<sub>6</sub> to toggle.

The system can use DQ<sub>6</sub> to determine whether a sector is actively erasing or is erase-suspended. When a bank is actively erasing (that is, the Embedded Erase Algorithm is in progress) , DQ<sub>6</sub> toggles. When a bank enters the Erase Suspend mode, DQ<sub>6</sub> stops toggling. Successive read cycles during the erase-suspend-program cause DQ<sub>6</sub> to toggle.

To operate toggle bit function properly,  $\overline{\text{CE}}$  or  $\overline{\text{OE}}$  must be high when bank address is changed.

See “7. Toggle Bit I during Embedded Algorithm Operation Timing Diagram” in ■TIMING DIAGRAM for the Toggle Bit I timing specifications and diagrams.

## 16. DQ<sub>5</sub>

### Exceeded Timing Limits

DQ<sub>5</sub> will indicate if the program or erase time has exceeded the specified limits (internal pulse count) . Under these conditions DQ<sub>5</sub> will produce a “1”. This is a failure condition which indicates that the program or erase cycle was not successfully completed.  $\overline{\text{Data}}$  Polling is the only operating function of the devices under this condition. The  $\overline{\text{CE}}$  circuit will partially power down the device under these conditions (to approximately 2 mA) . The  $\overline{\text{OE}}$  and  $\overline{\text{WE}}$  pins will control the output disable functions as described in “MBM29DL32TF/BF User Bus Operations Tables ( $\overline{\text{BYTE}} = V_{\text{IH}}$  and  $\overline{\text{BYTE}} = V_{\text{IL}}$ )” (■DEVICE BUS OPERATION).

The DQ<sub>5</sub> failure condition may also appear if a user tries to program a non blank location without erasing. In this case the devices lock out and never complete the Embedded Algorithm operation. Hence the system never reads a valid data on DQ<sub>7</sub> bit and DQ<sub>6</sub> never stops toggling. Once the devices have exceeded timing limits, the DQ<sub>5</sub> bit will indicate a “1.” Please note that this is not a device failure condition since the devices were incorrectly used. If this occurs, reset the device with command sequence.

## 17. DQ<sub>3</sub>

### Sector Erase Timer

After the completion of the initial sector erase command sequence the sector erase time-out will begin. DQ<sub>3</sub> will remain low until the time-out is complete.  $\overline{\text{Data}}$  Polling and Toggle Bit are valid after the initial sector erase command sequence.

If  $\overline{\text{Data}}$  Polling or the Toggle Bit I indicates the device has been written with a valid erase command, DQ<sub>3</sub> may be used to determine if the sector erase timer window is still open. If DQ<sub>3</sub> is high (“1”) the internally controlled erase cycle has begun. If DQ<sub>3</sub> is low (“0”) , the device will accept additional sector erase commands. To insure the command has been accepted, the system software should check the status of DQ<sub>3</sub> prior to and following each subsequent Sector Erase command. If DQ<sub>3</sub> were high on the second status check, the command may not have been accepted.

See “Hardware Sequence Flags Table”.

## 18. DQ<sub>2</sub>

### Toggle Bit II

This toggle bit II, along with DQ<sub>6</sub>, can be used to determine whether the devices are in the Embedded Erase Algorithm or in Erase Suspend.

Successive reads from the erasing sector will cause DQ<sub>2</sub> to toggle during the Embedded Erase Algorithm. If the devices are in the erase-suspended-read mode, successive reads from the erase-suspended sector will cause DQ<sub>2</sub> to toggle. When the devices are in the erase-suspended-program mode, successive reads from the byte address of the non-erase suspended sector will indicate a logic “1” at the DQ<sub>2</sub> bit.

DQ<sub>6</sub> is different from DQ<sub>2</sub> in that DQ<sub>6</sub> toggles only when the standard program or Erase, or Erase Suspend Program operation is in progress. The behavior of these two status bits, along with that of DQ<sub>7</sub>, is summarized as follows :

For example DQ<sub>2</sub> and DQ<sub>6</sub> can be used together to determine if the erase-suspend-read mode is in progress. (DQ<sub>2</sub> toggles while DQ<sub>6</sub> does not.) See also “Toggle Bit Status Table” and “9. DQ<sub>2</sub> vs. DQ<sub>6</sub>” in ■TIMING DIAGRAM.

Furthermore DQ<sub>2</sub> can also be used to determine which sector is being erased. When the device is in the erase mode, DQ<sub>2</sub> toggles if this bit is read from an erasing sector.

To operate toggle bit function properly,  $\overline{\text{CE}}$  or  $\overline{\text{OE}}$  must be high when bank address is changed.

## 19. Reading Toggle Bits DQ<sub>6</sub>/DQ<sub>2</sub>

Whenever the system initially begins reading toggle bit status, it must read DQ<sub>7</sub> to DQ<sub>0</sub> at least twice in a row to determine whether a toggle bit is toggling. Typically a system would note and store the value of the toggle bit after the first read. After the second read, the system would compare the new value of the toggle bit with the first. If the toggle bit is not toggling, the device has completed the program or erase operation. The system can read array data on DQ<sub>7</sub> to DQ<sub>0</sub> on the following read cycle.

However, after the initial two read cycles, if the system determines that the toggle bit is still toggling, the system



also should note whether the value of  $DQ_5$  is high (see “15.  $DQ_5$ ”) . If it is, the system should then determine again whether the toggle bit is toggling, since the toggle bit may have stopped toggling just as  $DQ_5$  went high. If the toggle bit is no longer toggling, the device has successfully completed the program or erase operation. If it is still toggling, the device did not complete the operation successfully, and the system must write the reset command to return to reading array data.

The remaining scenario is that the system initially determines that the toggle bit is toggling and  $DQ_5$  has not gone high. The system may continue to monitor the toggle bit and  $DQ_5$  through successive read cycles, determining the status as described in the previous paragraph. Alternatively it may choose to perform other system tasks. In this case, the system must start at the beginning of the algorithm when it returns to determine the status of the operation. (Refer to “4. Toggle Bit Algorithm” in ■FLOW CHART.)

**Toggle Bit Status Table**

Mode	$DQ_7$	$DQ_6$	$DQ_2$
Program	$\overline{DQ_7}$	Toggle	1
Erase	0	Toggle	Toggle *1
Erase-Suspend Read (Erase-Suspended Sector)	1	1	Toggle
Erase-Suspend Program	$\overline{DQ_7}$	Toggle	1 *2

\*1 : Successive reads from the erasing or erase-suspend sector cause  $DQ_2$  to toggle.

\*2 : Reading from non-erase suspend sector address indicates logic “1” at the  $DQ_2$  bit.

## 20. $RY/\overline{BY}$

Ready/Busy

The MBM29DL32TF/BF provide a  $RY/\overline{BY}$  open-drain output pin as a way to indicate to the host system that the Embedded Algorithms are either in progress or has been completed. If the output is low, the devices are busy with either a program or erase operation. If the output is high, the devices are ready to accept any read/program or erase operation. If the MBM29DL32TF/BF are placed in an Erase Suspend mode, the  $RY/\overline{BY}$  output will be high.

During programming, the  $RY/\overline{BY}$  pin is driven low after the rising edge of the fourth write pulse. During an erase operation, the  $RY/\overline{BY}$  pin is driven low after the rising edge of the sixth write pulse. The  $RY/\overline{BY}$  pin will indicate a busy condition during the  $\overline{RESET}$  pulse. Refer to “10.  $RY/\overline{BY}$  Timing Diagram during Program/Erase Operations” and “11.  $\overline{RESET}$ ,  $RY/\overline{BY}$  Timing Diagram” in ■TIMING DIAGRAM for a detailed timing diagram. The  $RY/\overline{BY}$  pin is pulled high in standby mode.

Since this is an open-drain output, the pull-up resistor needs to be connected to  $V_{CC}$  ; multiple of devices may be connected to the host system via more than one  $RY/\overline{BY}$  pin in parallel.

## 21. Data Protection

The MBM29DL32TF/BF are designed to offer protection against accidental erasure or programming caused by spurious system level signals that may exist during power transitions. During power up the devices automatically reset the internal state machine in the Read mode. Also, with its control register architecture, alteration of the memory contents only occurs after successful completion of specific multi-bus cycle command sequences.

The devices also incorporate several features to prevent inadvertent write cycles resulting from  $V_{CC}$  power-up and power-down transitions or system noise.

## 22. Low $V_{CC}$ Write Inhibit

To avoid initiation of a write cycle during  $V_{CC}$  power-up and power-down, a write cycle is locked out for  $V_{CC}$  less than  $V_{LKO}$ . If  $V_{CC} < V_{LKO}$ , the command register is disabled and all internal program/erase circuits are disabled. Under this condition the device will reset to the read mode. Subsequent writes will be ignored until the  $V_{CC}$  level is greater than  $V_{LKO}$ . It is the users responsibility to ensure that the control pins are logically correct to prevent

unintentional writes when  $V_{CC}$  is above  $V_{LKO}$ .

If Embedded Erase Algorithm is interrupted, there is possibility that the erasing sector (s) cannot be used.

## 23. Write Pulse “Glitch” Protection

Noise pulses of less than 3 ns (typical) on  $\overline{OE}$ ,  $\overline{CE}$ , or  $\overline{WE}$  will not initiate a write cycle.

## 24. Logical Inhibit

Writing is inhibited by holding any one of  $\overline{OE} = V_{IL}$ ,  $\overline{CE} = V_{IH}$ , or  $\overline{WE} = V_{IH}$ . To initiate a write cycle  $\overline{CE}$  and  $\overline{WE}$  must be a logic zero while  $\overline{OE}$  is a logic one.

## 25. Power-Up Write Inhibit

Power-up of the devices with  $\overline{WE} = \overline{CE} = V_{IL}$  and  $\overline{OE} = V_{IH}$  will not accept commands on the rising edge of  $\overline{WE}$ . The internal state machine is automatically reset to the read mode on power-up.

## 26. Sector Group Protection

Device user is able to protect each sector group individually to store and protect data. Protection circuit voids both program and erase commands that are addressed to protected sectors. Any commands to program or erase addressed to protected sector are ignored. (See “8. Sector Group Protection” in ■ FUNCTIONAL DESCRIPTION.)

# MBM29DL32TF/BF-70

## ■ ABSOLUTE MAXIMUM RATINGS

Parameter	Symbol	Rating		Unit
		Min	Max	
Storage Temperature	T <sub>stg</sub>	-55	+125	°C
Ambient Temperature with Power Applied	T <sub>A</sub>	-40	+85	°C
Voltage with Respect to Ground All pins except A <sub>9</sub> , $\overline{\text{OE}}$ , $\overline{\text{RESET}}$ *1,*2	V <sub>IN</sub> , V <sub>OUT</sub>	-0.5	V <sub>CC</sub> + 0.5	V
Power Supply Voltage *1	V <sub>CC</sub>	-0.5	+4.0	V
A <sub>9</sub> , $\overline{\text{OE}}$ , and $\overline{\text{RESET}}$ *1,*3	V <sub>IN</sub>	-0.5	+13.0	V
$\overline{\text{WP/ACC}}$ *1,*4	V <sub>ACC</sub>	-0.5	+10.5	V

\*1: Voltage is defined on the basis of V<sub>SS</sub> = GND = 0 V.

\*2: Minimum DC voltage on input or I/O pins is -0.5 V. During voltage transitions, input or I/O pins may undershoot V<sub>SS</sub> to -2.0 V for periods of up to 20 ns. Maximum DC voltage on input or I/O pins is V<sub>CC</sub> + 0.5 V. During voltage transitions, input or I/O pins may overshoot to V<sub>CC</sub> + 2.0 V for periods of up to 20 ns.

\*3: Minimum DC input voltage on A<sub>9</sub>,  $\overline{\text{OE}}$  and  $\overline{\text{RESET}}$  pins is -0.5 V. During voltage transitions, A<sub>9</sub>,  $\overline{\text{OE}}$  and  $\overline{\text{RESET}}$  pins may undershoot V<sub>SS</sub> to -2.0 V for periods of up to 20 ns. Voltage difference between input and supply voltage (V<sub>IN</sub> - V<sub>CC</sub>) does not exceed +9.0 V. Maximum DC input voltage on A<sub>9</sub>,  $\overline{\text{OE}}$  and  $\overline{\text{RESET}}$  pins is +13.0 V which may overshoot to +14.0 V for periods of up to 20 ns.

\*4: Minimum DC input voltage on  $\overline{\text{WP/ACC}}$  pin is -0.5 V. During voltage transitions,  $\overline{\text{WP/ACC}}$  pin may undershoot V<sub>SS</sub> to -2.0 V for periods of up to 20 ns. Maximum DC input voltage on  $\overline{\text{WP/ACC}}$  pin is +10.5 V which may overshoot to +12.0 V for periods of up to 20 ns when V<sub>CC</sub> is applied.

WARNING: Semiconductor devices can be permanently damaged by application of stress (voltage, current, temperature, etc.) in excess of absolute maximum ratings. Do not exceed these ratings.

## ■ RECOMMENDED OPERATING CONDITIONS

Parameter	Symbol	Part No.	Value		Unit
			Min	Max	
Ambient Temperature	T <sub>A</sub>	MBM29DL32TF/BF-70	-40	+85	°C
Power Supply Voltage*	V <sub>CC</sub>	MBM29DL32TF/BF-70	+2.7	+3.6	V

\* : Voltage is defined on the basis of V<sub>SS</sub> = GND = 0 V.

Note : Operating ranges define those limits between which the functionality of the devices are guaranteed.

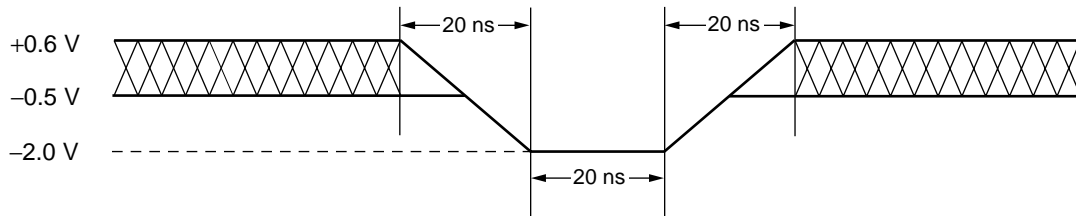
WARNING: The recommended operating conditions are required in order to ensure the normal operation of the semiconductor device. All of the device's electrical characteristics are warranted when the device is operated within these ranges.

Always use semiconductor devices within their recommended operating condition ranges. Operation outside these ranges may adversely affect reliability and could result in device failure.

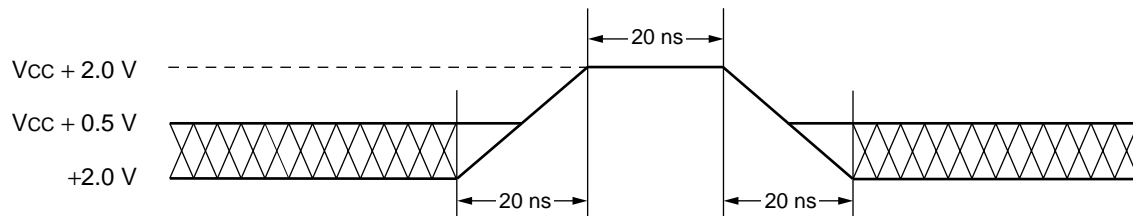
No warranty is made with respect to uses, operating conditions, or combinations not represented on the data sheet. Users considering application outside the listed conditions are advised to contact their FUJITSU representatives beforehand.



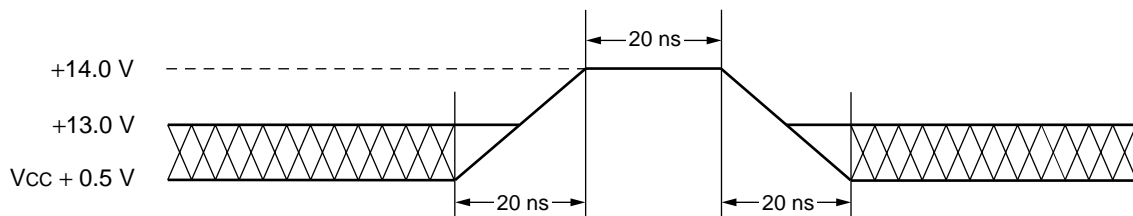
## ■ MAXIMUM OVERSHOOT/MAXIMUM UNDERSHOOT



Maximum Undershoot Waveform



Maximum Overshoot Waveform 1



Note : This waveform is applied for  $A_9$ ,  $\overline{OE}$ , and  $\overline{RESET}$ .

Maximum Overshoot Waveform 2

# MBM29DL32TF/BF-70

## DC CHARACTERISTICS

Parameter	Symbol	Conditions	Value			Unit	
			Min	Typ	Max		
Input Leakage Current	$I_{LI}$	$V_{IN} = V_{SS}$ to $V_{CC}$ , $V_{CC} = V_{CC}$ Max	-1.0	—	+1.0	$\mu A$	
Output Leakage Current	$I_{LO}$	$V_{OUT} = V_{SS}$ to $V_{CC}$ , $V_{CC} = V_{CC}$ Max	-1.0	—	+1.0	$\mu A$	
$A_9$ , $\overline{OE}$ , $\overline{RESET}$ Inputs Leakage Current	$I_{LIT}$	$V_{CC} = V_{CC}$ Max, $A_9$ , $\overline{OE}$ , $\overline{RESET} = 12.5$ V	—	—	35	$\mu A$	
$\overline{WP}/ACC$ Accelerated Program Current	$I_{LIA}$	$V_{CC} = V_{CC}$ Max, $\overline{WP}/ACC = V_{ACC}$ Max	—	—	20	mA	
$V_{CC}$ Active Current *1	$I_{CC1}$	$\overline{CE} = V_{IL}$ , $\overline{OE} = V_{IH}$ , $f = 5$ MHz	Byte	—	—	16	mA
			Word	—	—	18	
		$\overline{CE} = V_{IL}$ , $\overline{OE} = V_{IH}$ , $f = 1$ MHz	Byte	—	—	4	mA
			Word	—	—	4	
$V_{CC}$ Active Current *2	$I_{CC2}$	$\overline{CE} = V_{IL}$ , $\overline{OE} = V_{IH}$	—	—	30	mA	
$V_{CC}$ Current (Standby)	$I_{CC3}$	$V_{CC} = V_{CC}$ Max, $\overline{CE} = V_{CC} \pm 0.3$ V, $\overline{RESET} = V_{CC} \pm 0.3$ V, $\overline{WP}/ACC = V_{CC} \pm 0.3$ V	—	1	5	$\mu A$	
$V_{CC}$ Current (Standby, Reset)	$I_{CC4}$	$V_{CC} = V_{CC}$ Max, $\overline{RESET} = V_{SS} \pm 0.3$ V	—	1	5	$\mu A$	
$V_{CC}$ Current (Automatic Sleep Mode) *5	$I_{CC5}$	$V_{CC} = V_{CC}$ Max, $\overline{CE} = V_{SS} \pm 0.3$ V, $\overline{RESET} = V_{CC} \pm 0.3$ V, $V_{IN} = V_{CC} \pm 0.3$ V or $V_{SS} \pm 0.3$ V	—	1	5	$\mu A$	
$V_{CC}$ Active Current *6 (Read-While-Program)	$I_{CC6}$	$\overline{CE} = V_{IL}$ , $\overline{OE} = V_{IH}$	Byte	—	—	46	mA
			Word	—	—	48	
$V_{CC}$ Active Current *6 (Read-While-Erase)	$I_{CC7}$	$\overline{CE} = V_{IL}$ , $\overline{OE} = V_{IH}$	Byte	—	—	46	mA
			Word	—	—	48	
$V_{CC}$ Active Current (Erase-Suspend-Program)	$I_{CC8}$	$\overline{CE} = V_{IL}$ , $\overline{OE} = V_{IH}$	—	—	35	mA	
Input Low Voltage	$V_{IL}$	—	-0.5	—	+0.6	V	
Input High Voltage	$V_{IH}$	—	2.0	—	$V_{CC} + 0.3$	V	
Voltage for Autoselect and Sector Protection ( $A_9$ , $\overline{OE}$ , $\overline{RESET}$ ) *3, *4	$V_{ID}$	—	11.5	12	12.5	V	
Voltage for $\overline{WP}/ACC$ Sector Protection/Unprotection and Program Acceleration	$V_{ACC}$	—	8.5	9.0	9.5	V	
Output Low Voltage	$V_{OL}$	$I_{OL} = 4.0$ mA, $V_{CC} = V_{CC}$ Min	—	—	0.45	V	
Output High Voltage	$V_{OH1}$	$I_{OH} = -2.0$ mA, $V_{CC} = V_{CC}$ Min	2.4	—	—	V	
	$V_{OH2}$	$I_{OH} = -100$ $\mu A$	$V_{CC} - 0.4$	—	—	V	
Low $V_{CC}$ Lock-Out Voltage	$V_{LKO}$	—	2.3	2.4	2.5	V	

\*1 : The  $I_{CC}$  current listed includes both the DC operating current and the frequency dependent component.

\*2 :  $I_{CC}$  active while Embedded Algorithm (program or erase) is in progress.

\*3 : This timing is only for Sector Group Protection operation and Autoselect mode.

\*4 : Applicable for only  $V_{CC}$ .

\*5 : Automatic sleep mode enables the low power mode when address remains stable for 150 ns.

\*6 : Embedded Algorithm (program or erase) is in progress (@5 MHz) .

## ■ AC CHARACTERISTICS

### • Read Only Operations Characteristics

Parameter	Symbol		Test setup	Value *		Unit
	JEDEC	Standard		Min	Max	
Read Cycle Time	$t_{AVAV}$	$t_{RC}$	—	70	—	ns
Address to Output Delay	$t_{AVQV}$	$t_{ACC}$	$\overline{CE} = V_{IL}$ $\overline{OE} = V_{IL}$	—	70	ns
Chip Enable to Output Delay	$t_{ELQV}$	$t_{CE}$	$\overline{OE} = V_{IL}$	—	70	ns
Output Enable to Output Delay	$t_{GLQV}$	$t_{OE}$	—	—	30	ns
Chip Enable to Output High-Z	$t_{EHQZ}$	$t_{DF}$	—	—	25	ns
Output Enable to Output High-Z	$t_{GHQZ}$	$t_{DF}$	—	—	25	ns
Output Hold Time from Addresses, $\overline{CE}$ or $\overline{OE}$ , Whichever Occurs First	$t_{AXQX}$	$t_{OH}$	—	0	—	ns
$\overline{RESET}$ Pin Low to Read Mode	—	$t_{READY}$	—	—	20	$\mu s$
$\overline{CE}$ to $\overline{BYTE}$ Switching Low or High	—	$t_{ELFL}$ , $t_{ELFH}$	—	—	5	ns

\* : Test Conditions :

Output Load : 30 pF (MBM29DL32TF/BF-70)

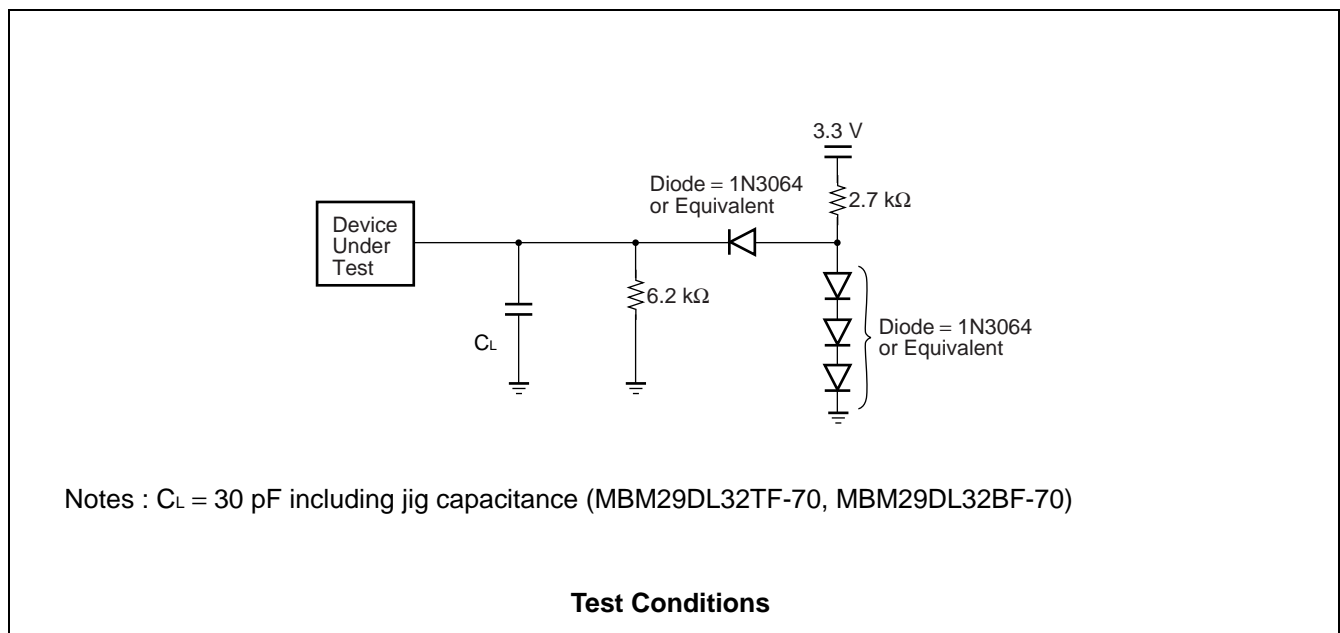
Input rise and fall times : 5 ns

Input pulse levels : 0.0 V or  $V_{CC}$

Timing measurement reference level

Input :  $0.5 \times V_{CC}$

Output :  $0.5 \times V_{CC}$



# MBM29DL32TF/BF-70

## • Write/Erase/Program Operations

Parameter		Symbol		Value			Unit
		JEDEC	Standard	Min	Typ	Max	
Write Cycle Time		t <sub>AVAV</sub>	t <sub>WC</sub>	70	—	—	ns
Address Setup Time		t <sub>AVWL</sub>	t <sub>AS</sub>	0	—	—	ns
Address Setup Time to $\overline{OE}$ Low During Toggle Bit Polling		—	t <sub>ASO</sub>	12	—	—	ns
Address Hold Time		t <sub>WLAX</sub>	t <sub>AH</sub>	45	—	—	ns
Address Hold Time from $\overline{CE}$ or $\overline{OE}$ High During Toggle Bit Polling		—	t <sub>AHT</sub>	0	—	—	ns
Data Setup Time		t <sub>DVWH</sub>	t <sub>DS</sub>	30	—	—	ns
Data Hold Time		t <sub>WHDX</sub>	t <sub>DH</sub>	0	—	—	ns
Output Enable Hold Time	Read	—	t <sub>OEH</sub>	0	—	—	ns
	Toggle and Data Polling			10	—	—	ns
$\overline{CE}$ High During Toggle Bit Polling		—	t <sub>CEPH</sub>	20	—	—	ns
$\overline{OE}$ High During Toggle Bit Polling		—	t <sub>OEPH</sub>	20	—	—	ns
Read Recover Time Before Write		t <sub>GHWL</sub>	t <sub>GHWL</sub>	0	—	—	ns
Read Recover Time Before Write		t <sub>GHEL</sub>	t <sub>GHEL</sub>	0	—	—	ns
$\overline{CE}$ Setup Time		t <sub>ELWL</sub>	t <sub>CS</sub>	0	—	—	ns
$\overline{WE}$ Setup Time		t <sub>WLEL</sub>	t <sub>WS</sub>	0	—	—	ns
$\overline{CE}$ Hold Time		t <sub>WHEH</sub>	t <sub>CH</sub>	0	—	—	ns
$\overline{WE}$ Hold Time		t <sub>EHWH</sub>	t <sub>WH</sub>	0	—	—	ns
Write Pulse Width		t <sub>WLWH</sub>	t <sub>WP</sub>	35	—	—	ns
$\overline{CE}$ Pulse Width		t <sub>LELH</sub>	t <sub>CP</sub>	35	—	—	ns
Write Pulse Width High		t <sub>WHWL</sub>	t <sub>WPH</sub>	25	—	—	ns
$\overline{CE}$ Pulse Width High		t <sub>EHEL</sub>	t <sub>CPH</sub>	25	—	—	ns
Programming Operation	Byte	t <sub>WHWH1</sub>	t <sub>WHWH1</sub>	—	4	—	μs
	Word			—	6	—	μs
Sector Erase Operation *1		t <sub>WHWH2</sub>	t <sub>WHWH2</sub>	—	0.5	—	s
V <sub>CC</sub> Setup Time		—	t <sub>VCS</sub>	50	—	—	μs
Rise Time to V <sub>ID</sub> *2		—	t <sub>VIDR</sub>	500	—	—	ns
Rise Time to V <sub>ACC</sub> *3		—	t <sub>VACCR</sub>	500	—	—	ns
Voltage Transition Time *2		—	t <sub>VLHT</sub>	4	—	—	μs
Write Pulse Width *2		—	t <sub>WPP</sub>	100	—	—	μs
$\overline{OE}$ Setup Time to $\overline{WE}$ Active *2		—	t <sub>OESP</sub>	4	—	—	μs

(Continued)

(Continued)

Parameter	Symbol		Value			Unit
	JEDEC	Standard	Min	Typ	Max	
$\overline{CE}$ Setup Time to $\overline{WE}$ Active *2	—	t <sub>CSP</sub>	4	—	—	μs
Recover Time from RY/ $\overline{BY}$	—	t <sub>RB</sub>	0	—	—	ns
$\overline{RESET}$ Pulse Width	—	t <sub>RP</sub>	500	—	—	ns
$\overline{RESET}$ High Level Period before Read	—	t <sub>RH</sub>	200	—	—	ns
$\overline{BYTE}$ Switching Low to Output High-Z	—	t <sub>FLQZ</sub>	—	—	25	ns
$\overline{BYTE}$ Switching High to Output Active	—	t <sub>FHQV</sub>	—	—	70	ns
Program/Erase Valid to RY/ $\overline{BY}$ Delay	—	t <sub>BUSY</sub>	—	—	90	ns
Delay Time from Embedded Output Enable	—	t <sub>EOE</sub>	—	—	70	ns
Erase Time-Out Time	—	t <sub>TOW</sub>	50	—	—	μs
Erase Suspend Transition Time	—	t <sub>SPD</sub>	—	—	20	μs

\*1: Does not include the preprogramming time.

\*2: For Sector Group Protection operation.

\*3: This timing is limited for Accelerated Program operation only.

# MBM29DL32TF/BF-70

## ■ ERASE AND PROGRAMMING PERFORMANCE

Parameter	Limits			Unit	Comments
	Min	Typ	Max		
Sector Erase Time	—	0.5	2.0	s	Excludes programming time prior to erasure
Word Programming Time	—	6.0	100	μs	Excludes system-level overhead
Byte Programming Time	—	4.0	80	μs	
Chip Programming Time	—	12.6	50	s	Excludes system-level overhead
Program/Erase Cycle	100,000	—	—	cycle	—

- Notes :
- Typical Erase conditions  $T_A = +25\text{ }^\circ\text{C}$ ,  $V_{CC} = 2.9\text{ V}$
  - Typical Program conditions  $T_A = +25\text{ }^\circ\text{C}$ ,  $V_{CC} = 2.9\text{ V}$ , Data = checker

## ■ TSOP (1) PIN CAPACITANCE

Parameter	Symbol	Condition	Value		Unit
			Typ	Max	
Input Capacitance	$C_{IN}$	$V_{IN} = 0$	6.0	10.0	pF
Output Capacitance	$C_{OUT}$	$V_{OUT} = 0$	8.5	12.0	pF
Control Pin Capacitance	$C_{IN2}$	$V_{IN} = 0$	8.0	11.0	pF
WP/ACC Pin Capacitance	$C_{IN3}$	$V_{IN} = 0$	9.0	12.0	pF

- Notes :
- Test conditions  $T_A = +25\text{ }^\circ\text{C}$ ,  $f = 1.0\text{ MHz}$
  - DQ<sub>15</sub>/A-1 pin capacitance is stipulated by output capacitance.

## ■ FBGA PIN CAPACITANCE

Parameter	Symbol	Condition	Value		Unit
			Typ	Max	
Input Capacitance	$C_{IN}$	$V_{IN} = 0$	6.0	10.0	pF
Output Capacitance	$C_{OUT}$	$V_{OUT} = 0$	8.5	12.0	pF
Control Pin Capacitance	$C_{IN2}$	$V_{IN} = 0$	8.0	11.0	pF
WP/ACC Pin Capacitance	$C_{IN3}$	$V_{IN} = 0$	9.0	12.0	pF

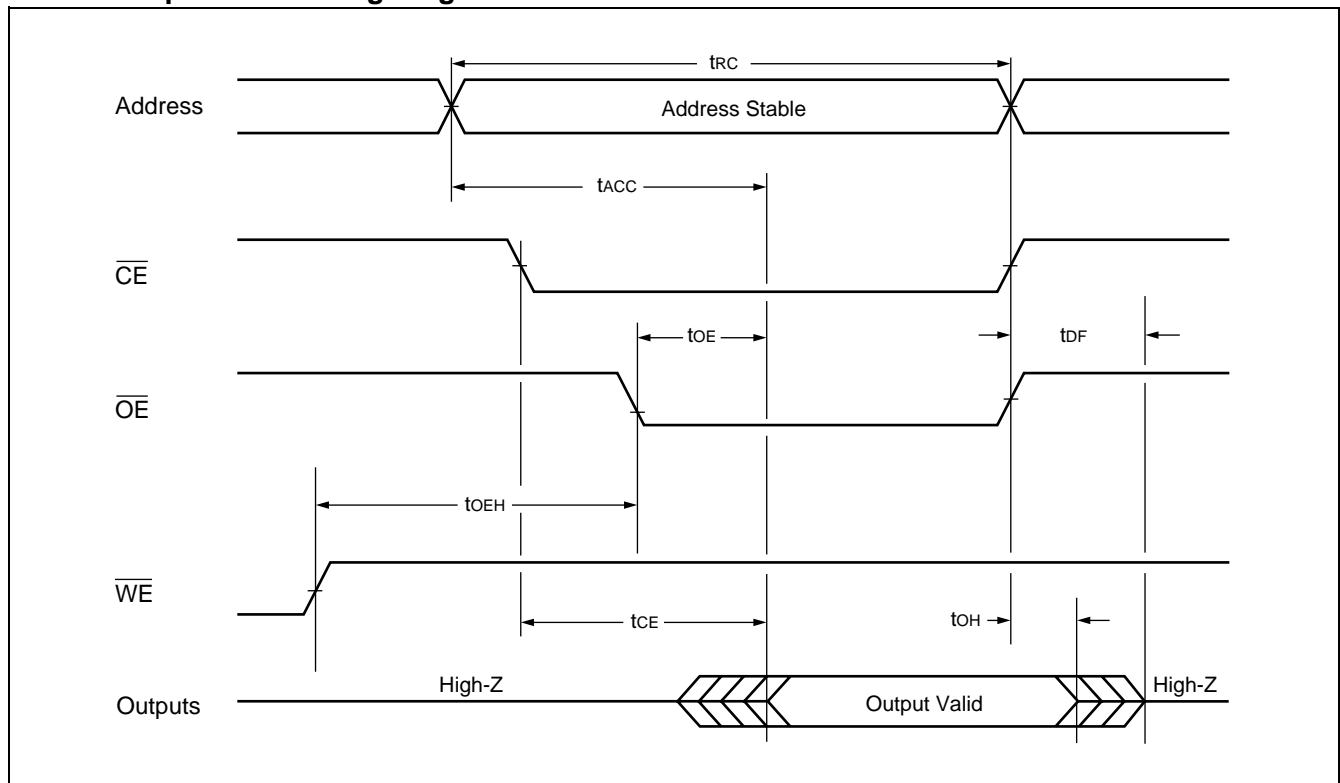
- Notes :
- Test conditions  $T_A = +25\text{ }^\circ\text{C}$ ,  $f = 1.0\text{ MHz}$
  - DQ<sub>15</sub>/A-1 pin capacitance is stipulated by output capacitance.

## TIMING DIAGRAM

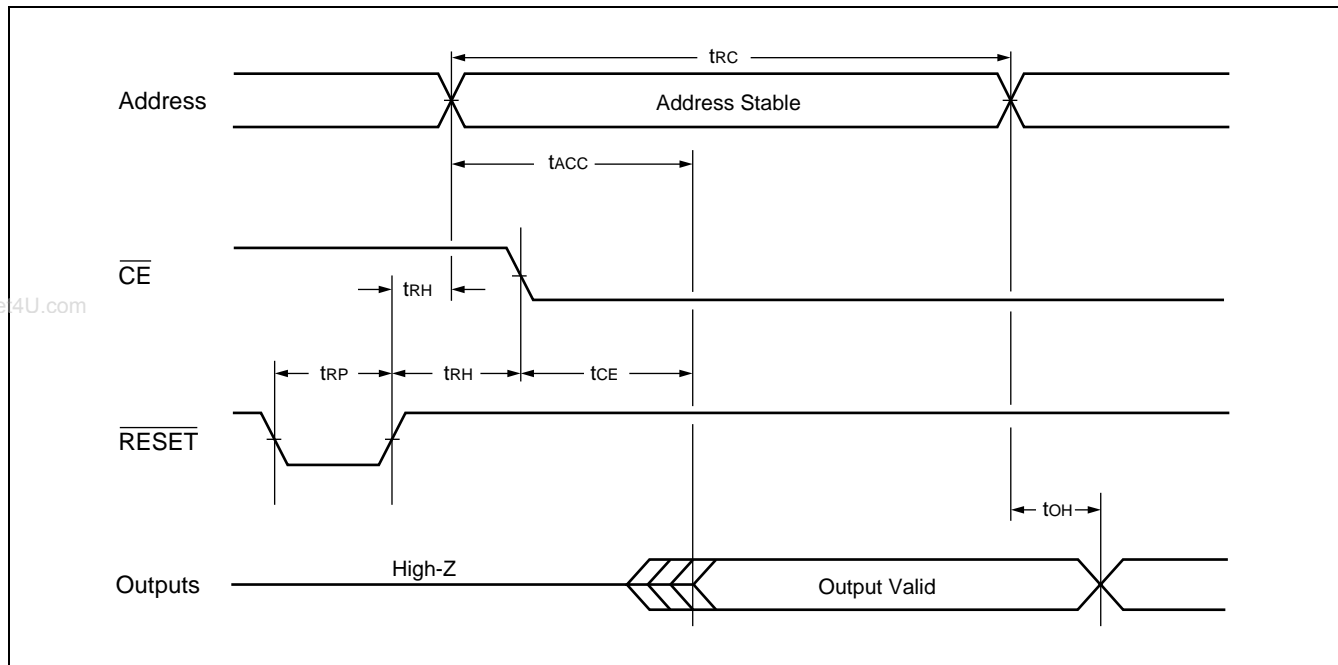
### Key to Switching Waveforms

WAVEFORM	INPUTS	OUTPUTS
	Must Be Steady	Will Be Steady
	May Change from H to L	Will Change from H to L
	May Change from L to H	Will Change from L to H
	"H" or "L" Any Change Permitted	Changing State Unknown
	Does Not Apply	Center Line is High-Impedance "Off" State

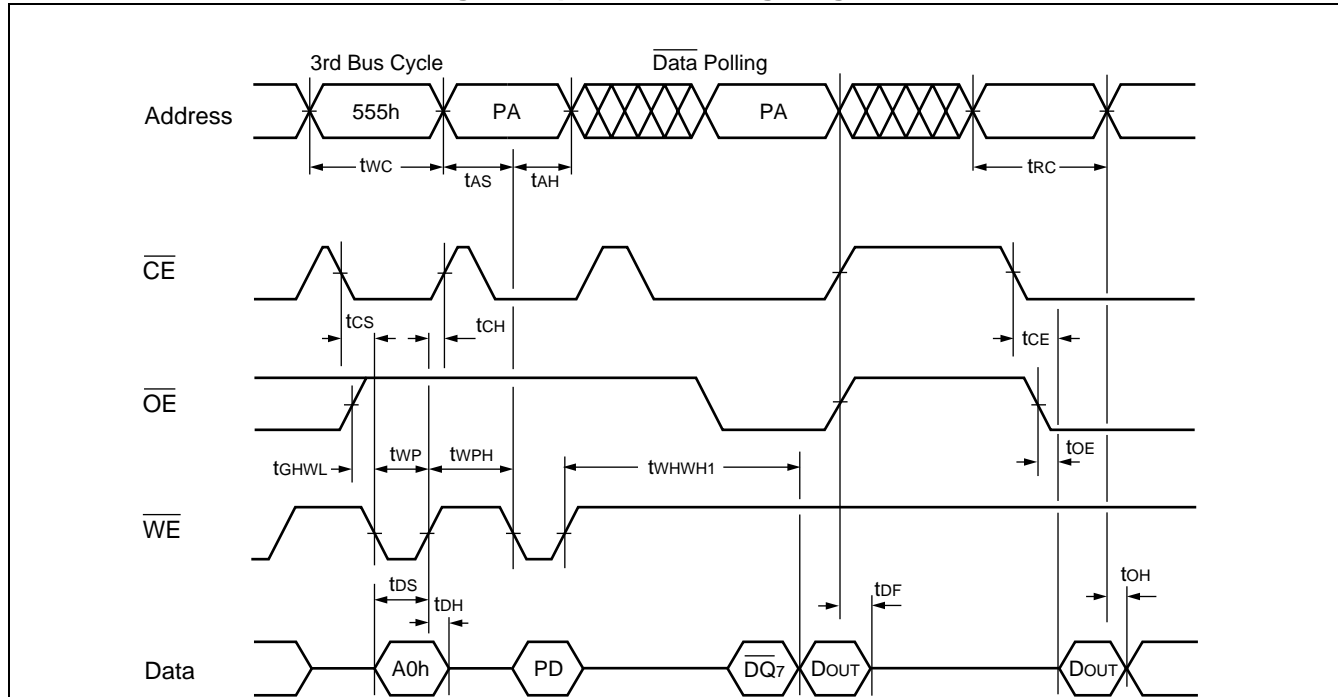
### 1. Read Operation Timing Diagram



## 2. Hardware Reset/Read Operation Timing Diagram



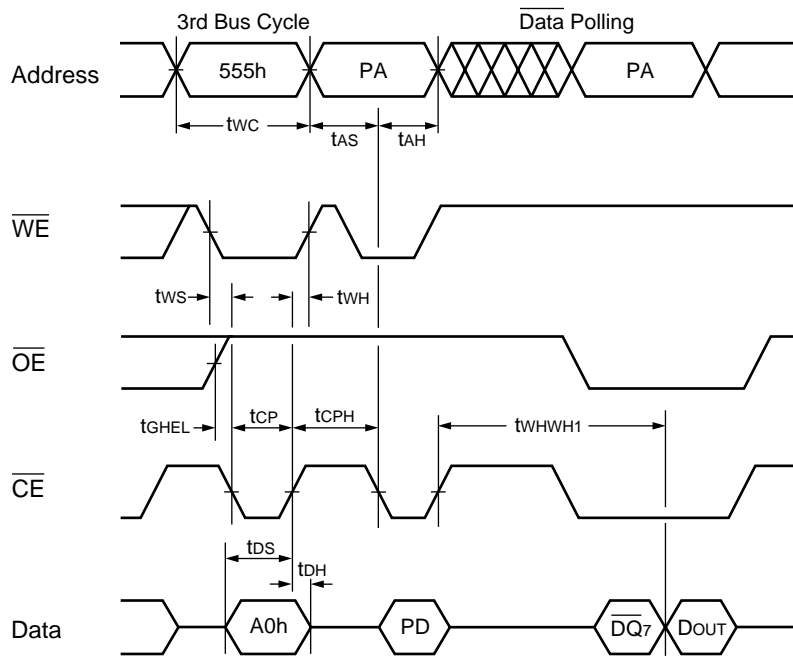
## 3. Alternate $\overline{WE}$ Controlled Program Operation Timing Diagram



- Notes :
- PA is address of the memory location to be programmed.
  - PD is data to be programmed at byte address.
  - $\overline{DQ}_7$  is the output of the complement of the data written to the device.
  - DOUT is the output of the data written to the device.
  - Figure indicates the last two bus cycles out of four bus cycle sequence.
  - These waveforms are for the  $\times 16$  mode. The addresses differ from  $\times 8$  mode.

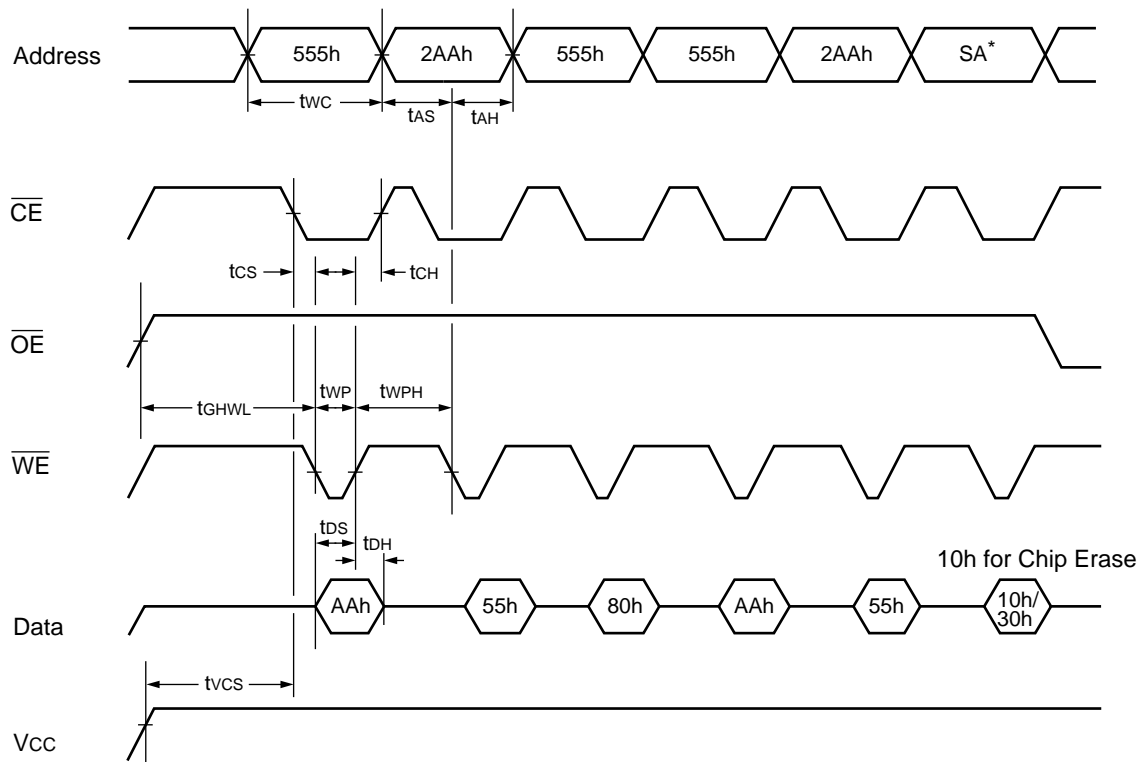


## 4. Alternate $\overline{CE}$ Controlled Program Operation Timing Diagram



- Notes :
- PA is address of the memory location to be programmed.
  - PD is data to be programmed at byte address.
  - $\overline{DQ}_7$  is the output of the complement of the data written to the device.
  - $D_{OUT}$  is the output of the data written to the device.
  - Figure indicates the last two bus cycles out of four bus cycle sequence.
  - These waveforms are for the  $\times 16$  mode. The addresses differ from  $\times 8$  mode.

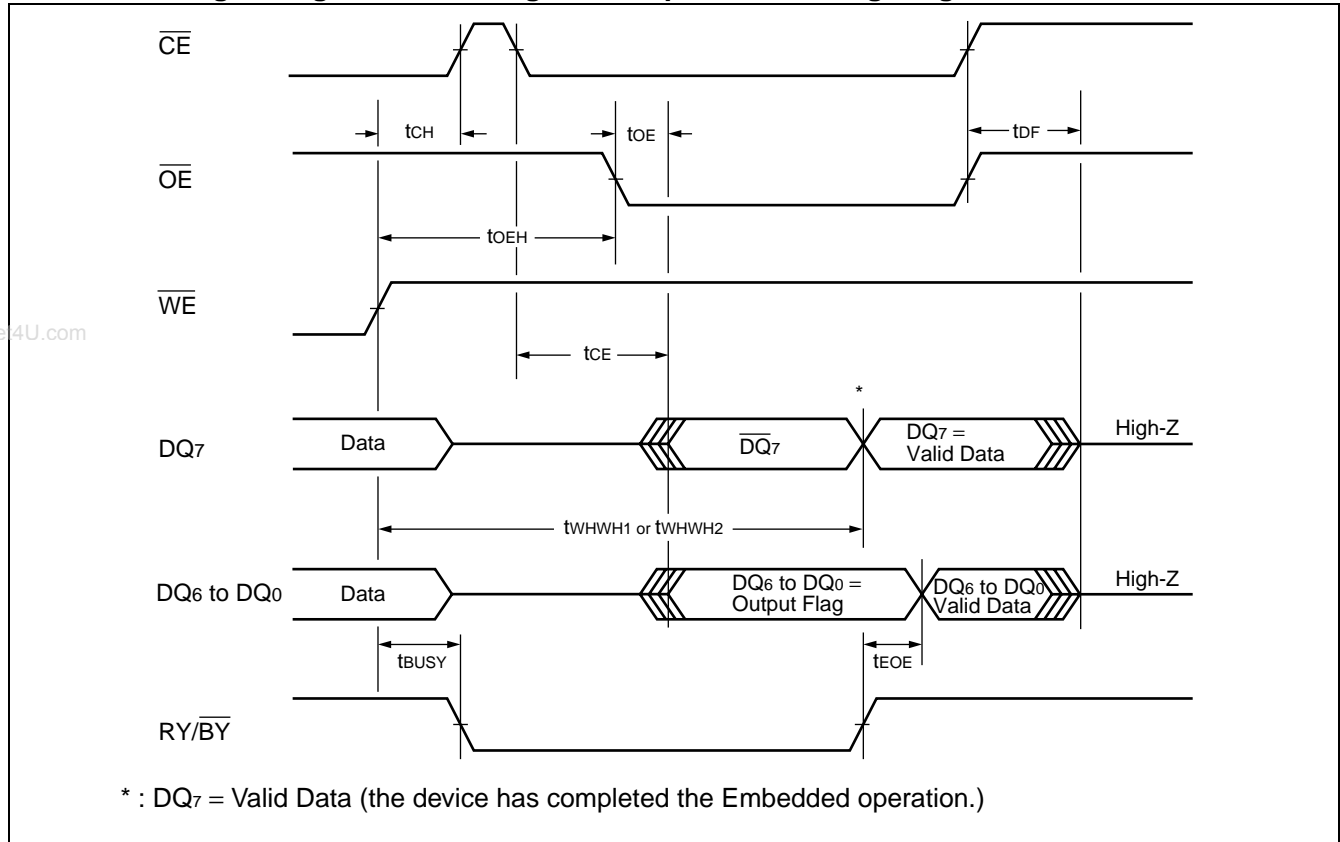
## 5. Chip/Sector Erase Operation Timing Diagram



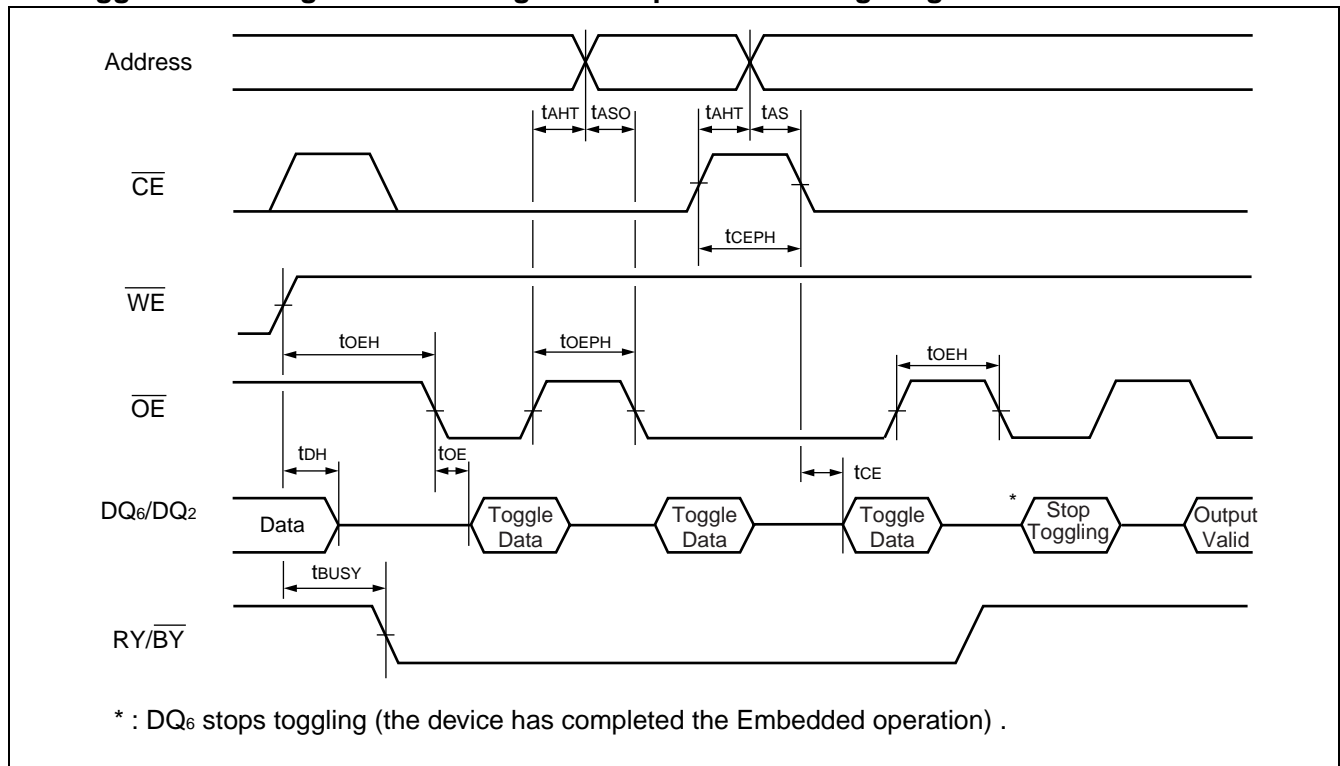
\* : SA is the sector address for Sector Erase. Addresses = 555h (Word) for Chip Erase.

Note : These waveforms are for the  $\times 16$  mode. The addresses differ from  $\times 8$  mode.

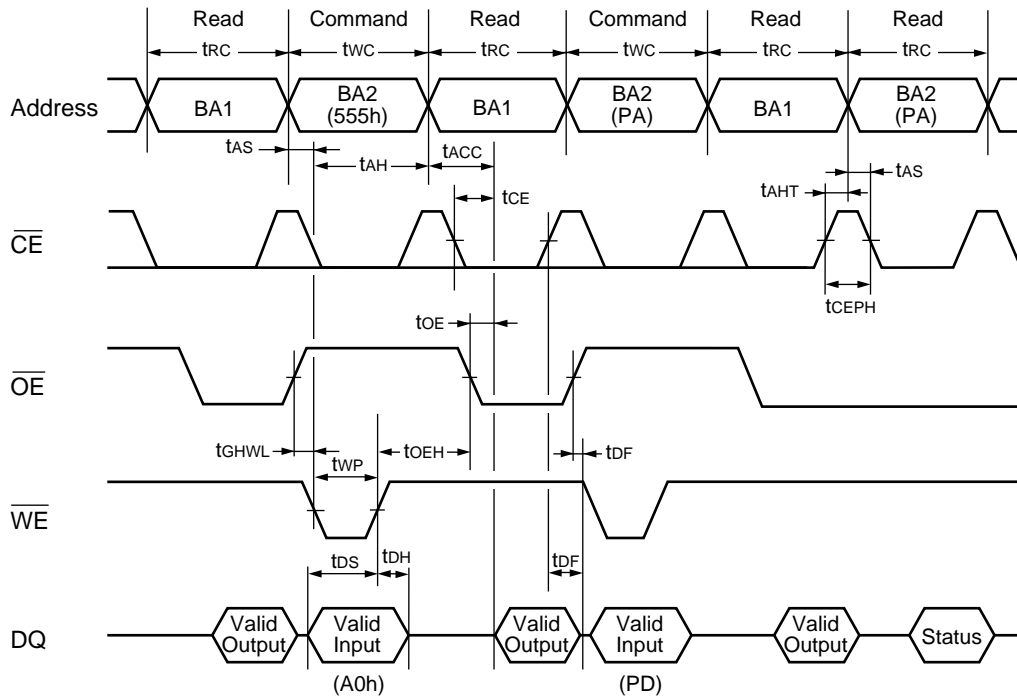
## 6. Data Polling during Embedded Algorithm Operation Timing Diagram



## 7. Toggle Bit I during Embedded Algorithm Operation Timing Diagram

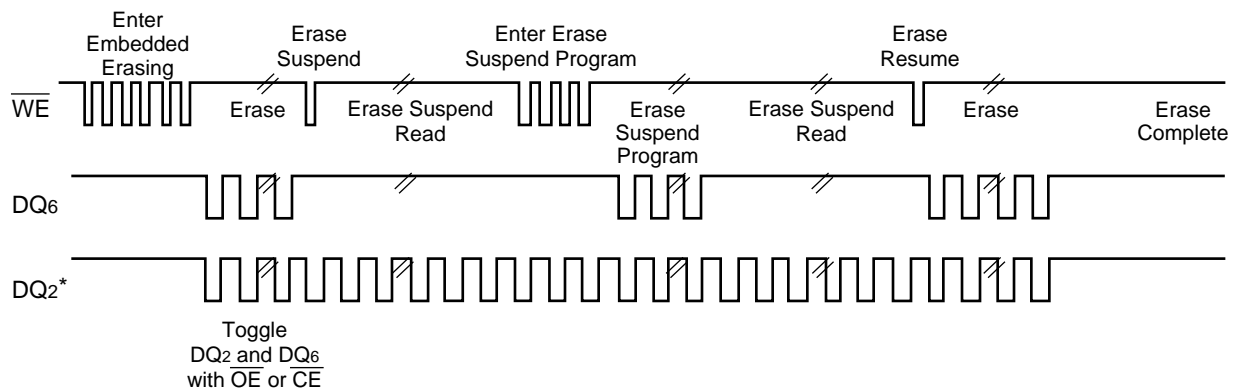


## 8. Bank-to-Bank Read/Write Timing Diagram



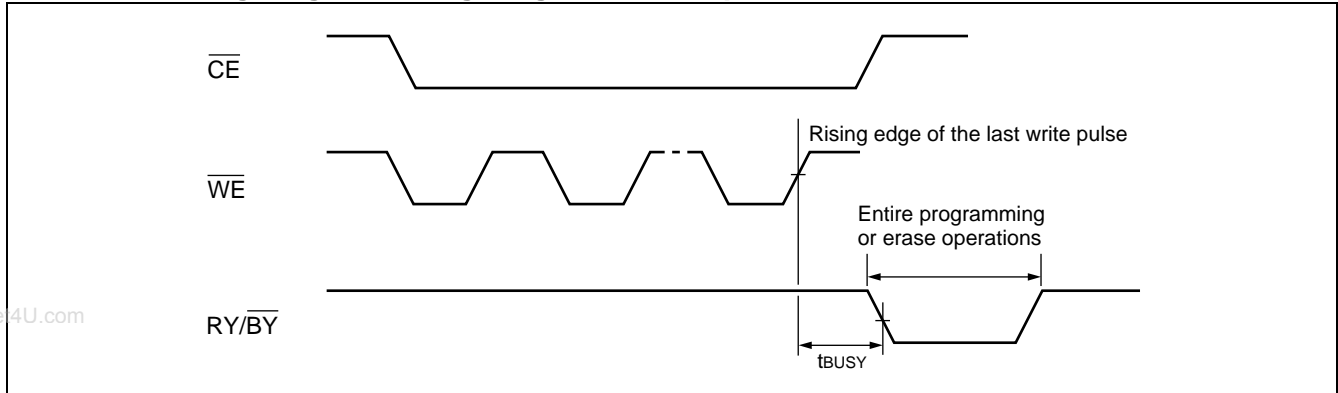
Note : This is example of Read for Bank 1 and Embedded Algorithm (program) for Bank 2.  
 BA1 : Address corresponding to Bank 1  
 BA2 : Address corresponding to Bank 2

## 9. DQ<sub>2</sub> vs. DQ<sub>6</sub>

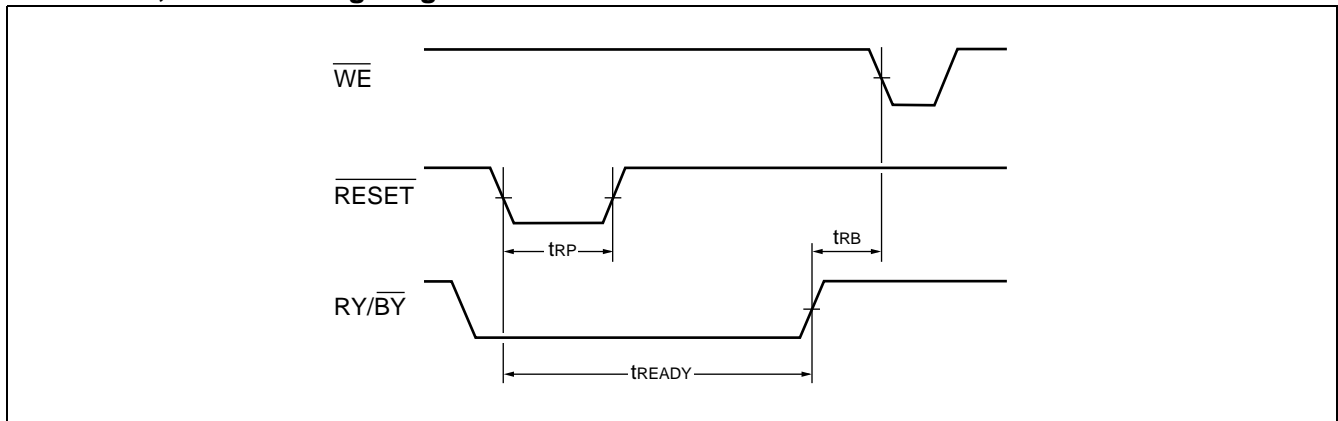


\* :  $DQ_2$  is read from the erase-suspended sector.

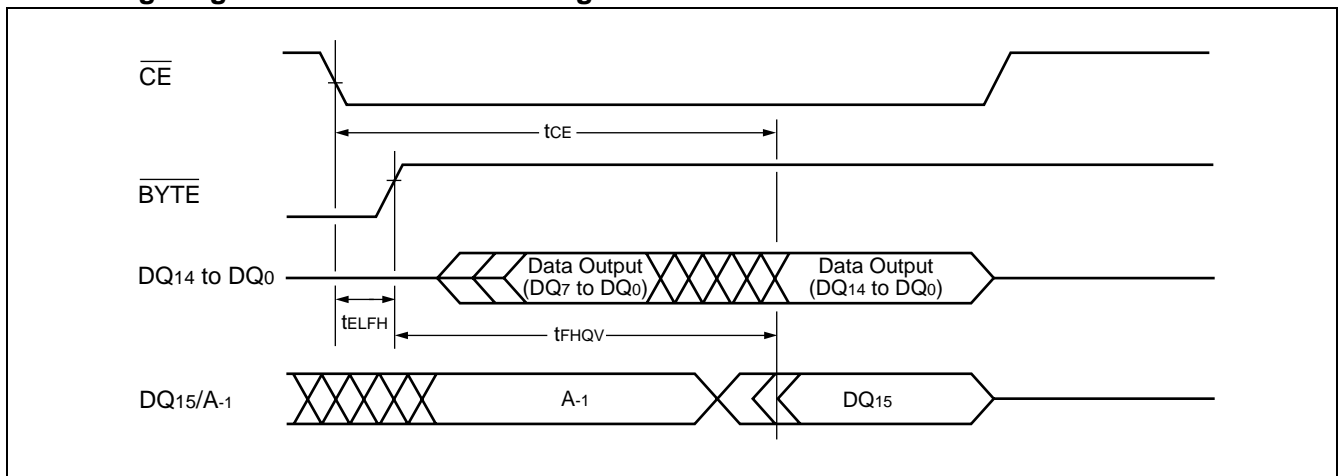
## 10. RY/BY Timing Diagram during Program/Erase Operations



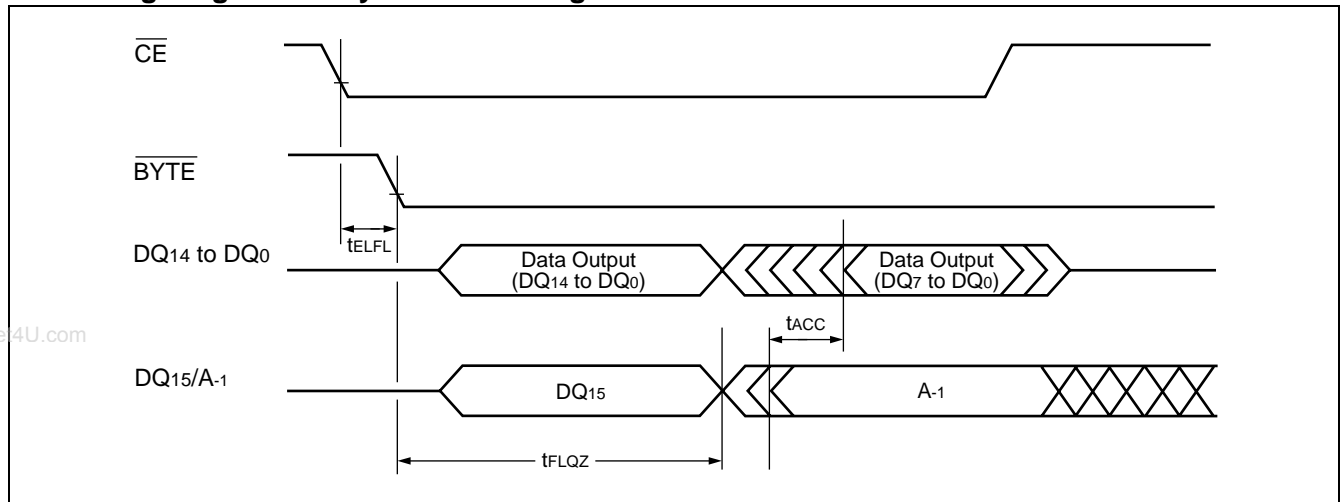
## 11. $\overline{RESET}$ , $\overline{RY/BY}$ Timing Diagram



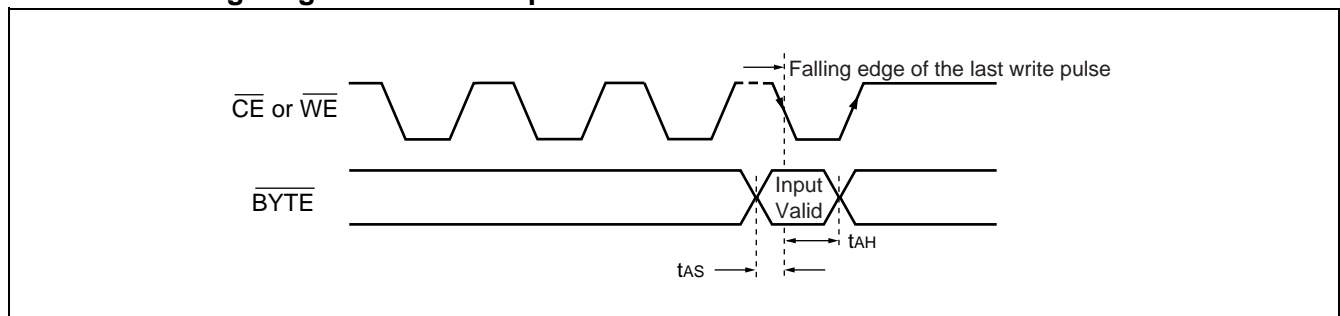
## 12. Timing Diagram for Word Mode Configuration



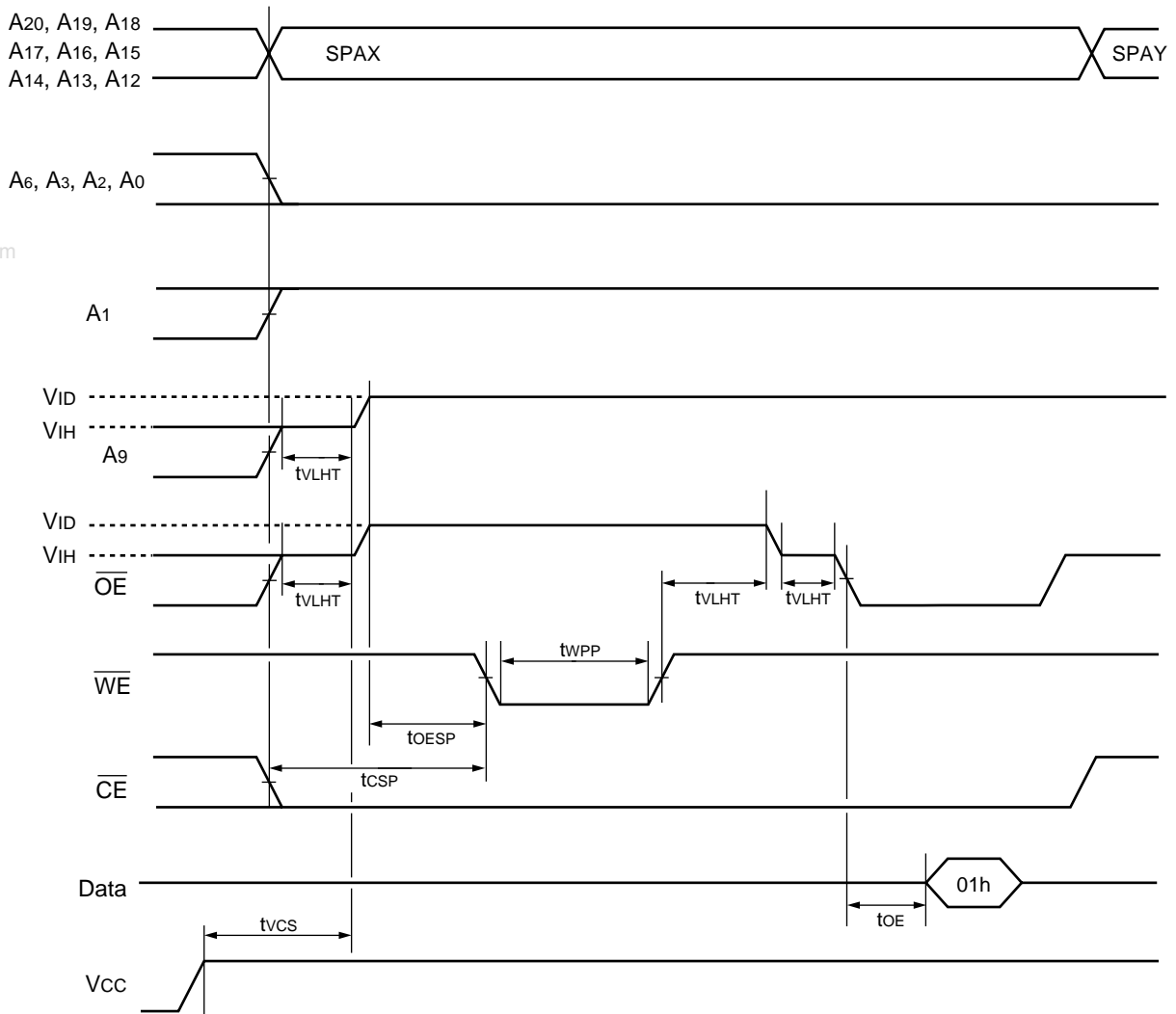
## 13. Timing Diagram for Byte Mode Configuration



## 14. BYTE Timing Diagram for Write Operations



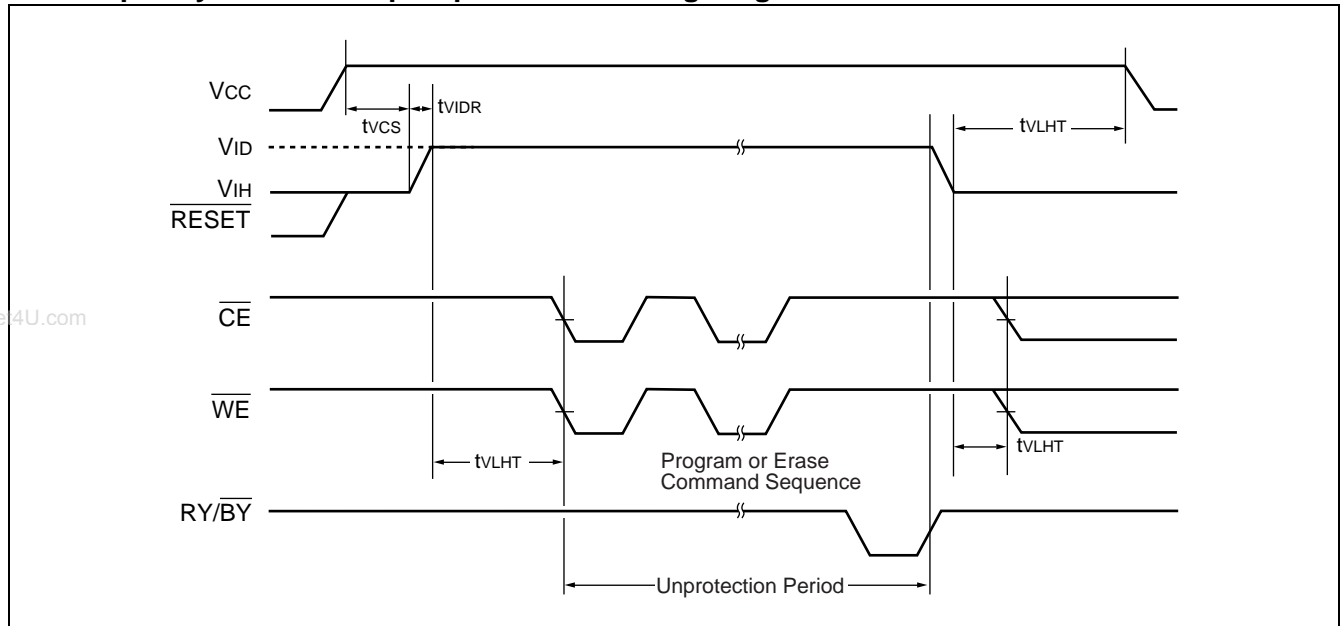
## 15. Sector Group Protection Timing Diagram



SPAX : Sector Group Address to be protected  
 SPAY : Next Sector Address to be protected

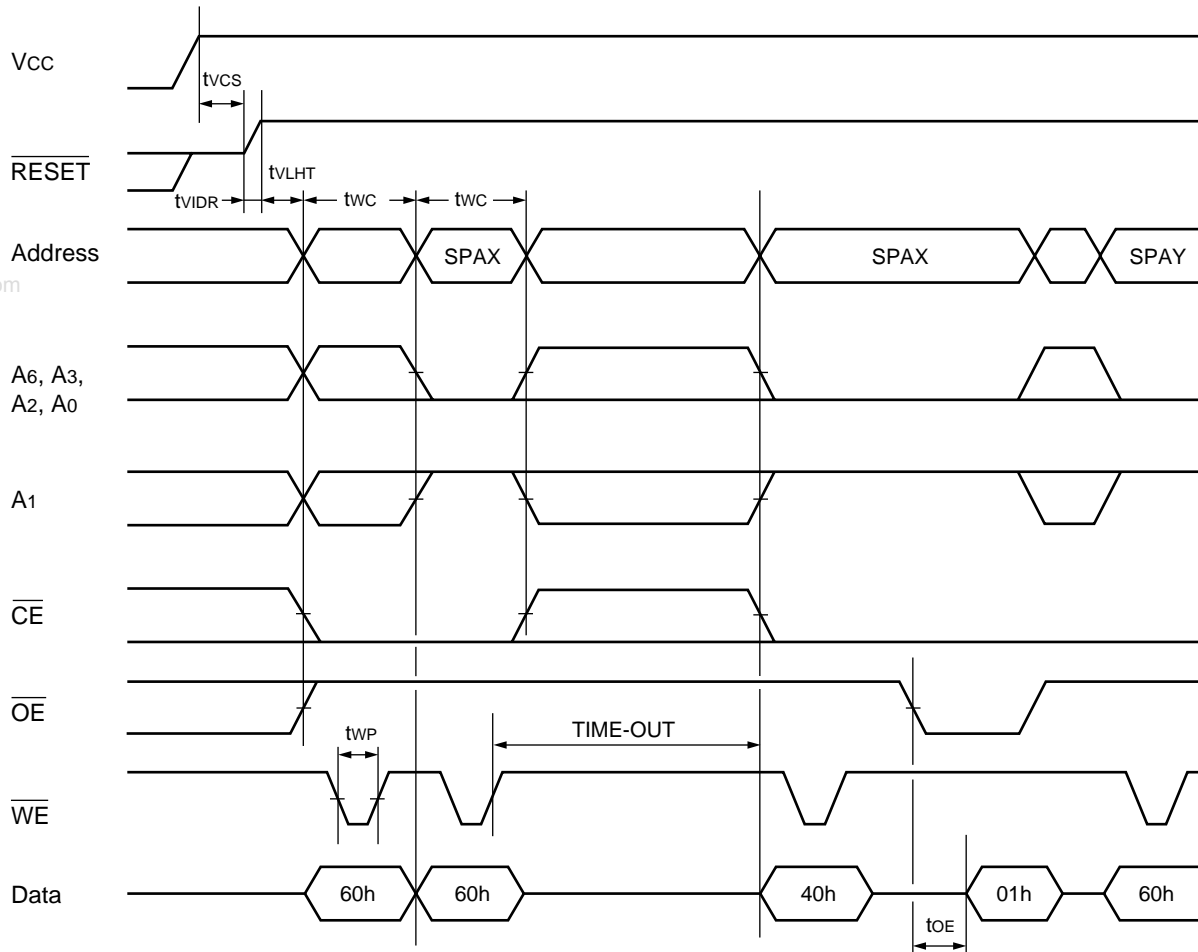
Note : A-1 is  $V_{IL}$  on byte mode.

## 16. Temporary Sector Group Unprotection Timing Diagram





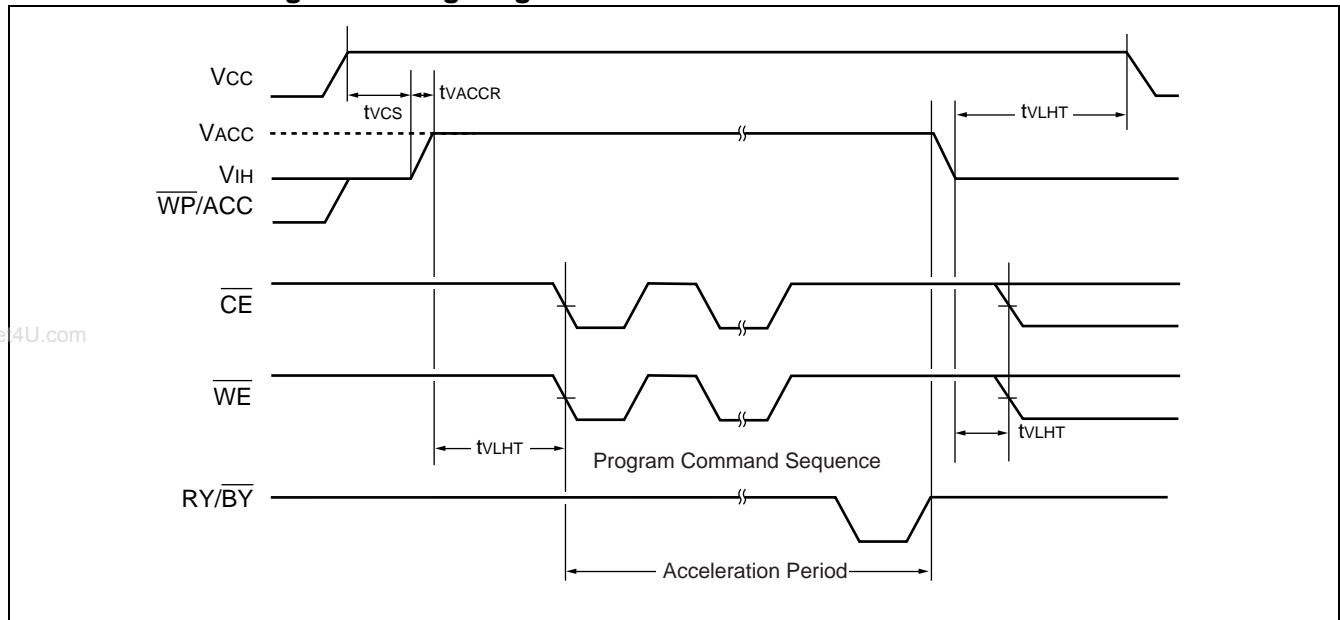
## 17. Extended Sector Group Protection Timing Diagram



SPAX : Sector Group Address to be protected  
 SPAY : Next Sector Group Address to be protected  
 TIME-OUT : Time-Out window = 250 μs (Min)

Note : A-1 is V<sub>IL</sub> on byte mode.

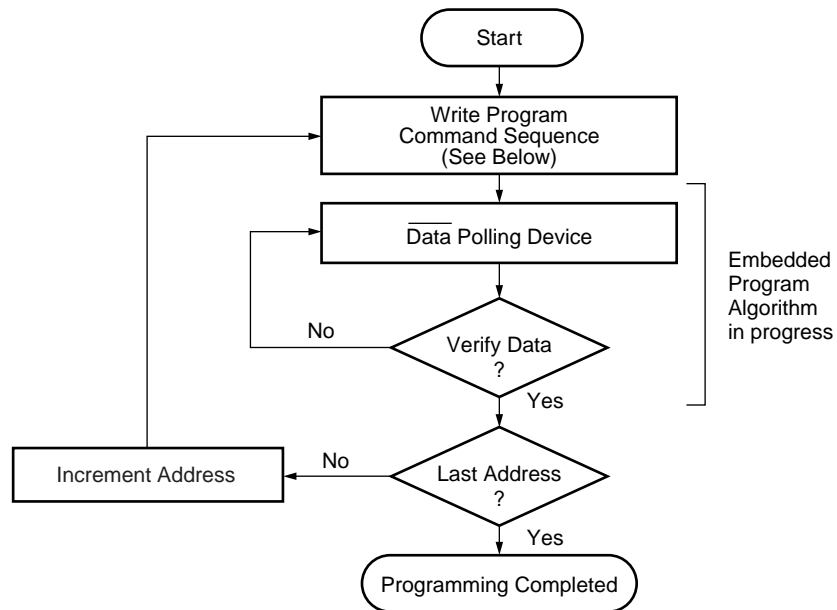
## 18. Accelerated Program Timing Diagram



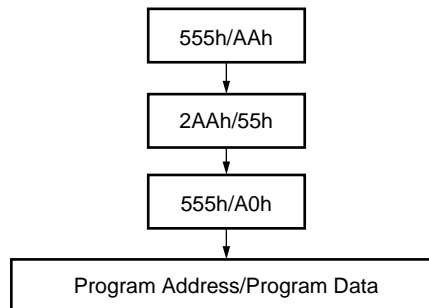
## ■ FLOW CHART

### 1. Embedded Program™ Algorithm

#### EMBEDDED ALGORITHMS



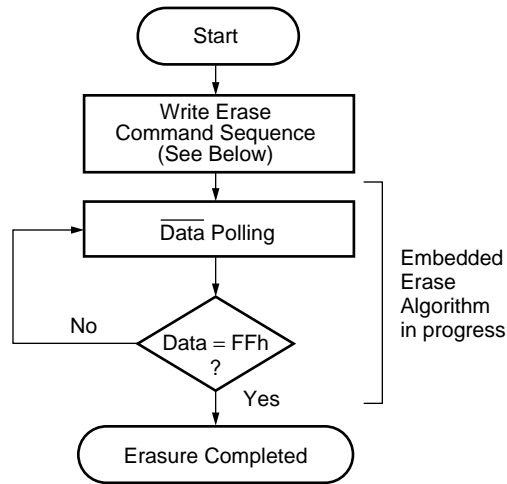
Program Command Sequence (Address/Command) :



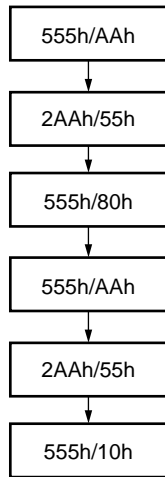
- Notes :
- The sequence is applied for  $\times 16$  mode.
  - The addresses differ from  $\times 8$  mode.

## 2. Embedded Erase™ Algorithm

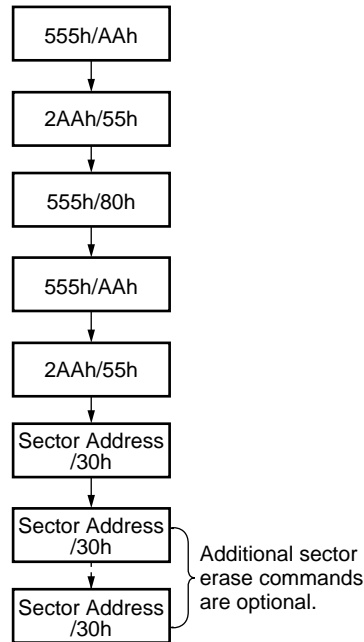
### EMBEDDED ALGORITHMS



Chip Erase Command Sequence  
(Address/Command) :

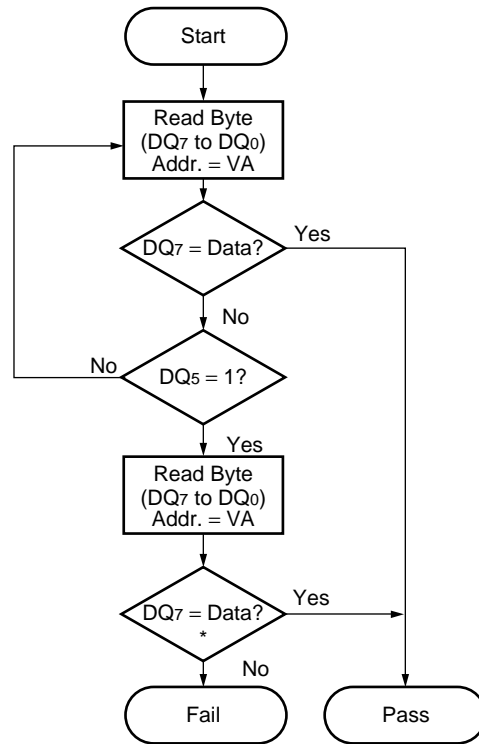


Individual Sector/Multiple Sector  
Erase Command Sequence  
(Address/Command) :



- Notes :
- The sequence is applied for × 16 mode.
  - The addresses differ from × 8 mode.

## 3. Data Polling Algorithm



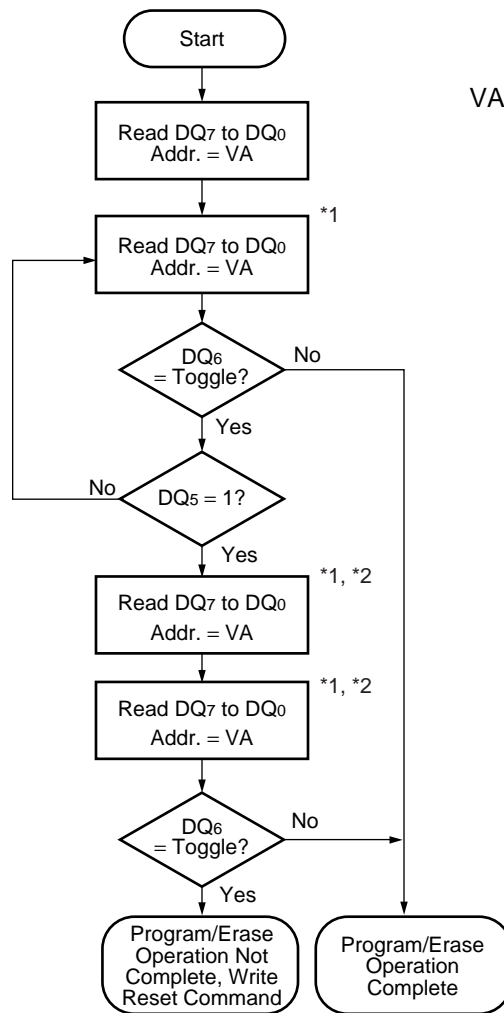
VA = Address for programming

= Any of the sector addresses within the sector being erased during sector erase or multiple sector erases operation.

= Any of the sector addresses within the sector not being protected during chip erase operation.

\* : DQ<sub>7</sub> is rechecked even if DQ<sub>5</sub> = "1" because DQ<sub>7</sub> may change simultaneously with DQ<sub>5</sub>.

## 4. Toggle Bit Algorithm

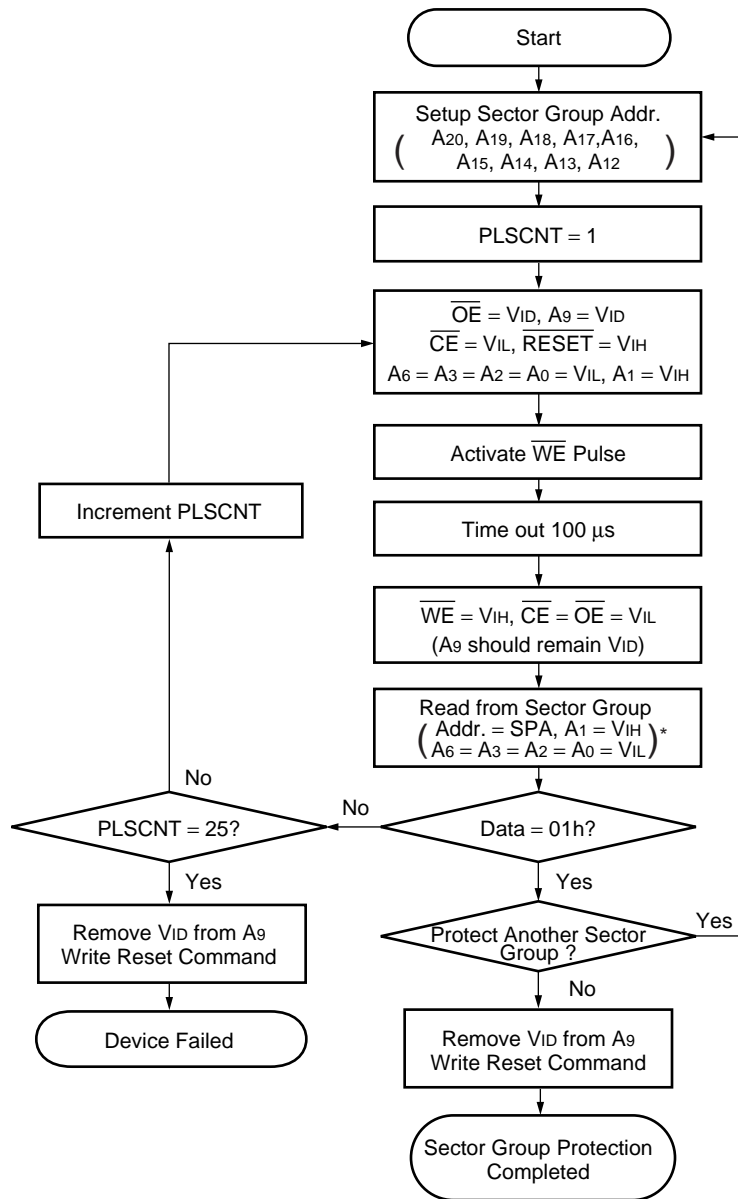


VA = Bank address being executed Embedded Algorithm.

\*1 : Read toggle bit twice to determine whether it is toggling.

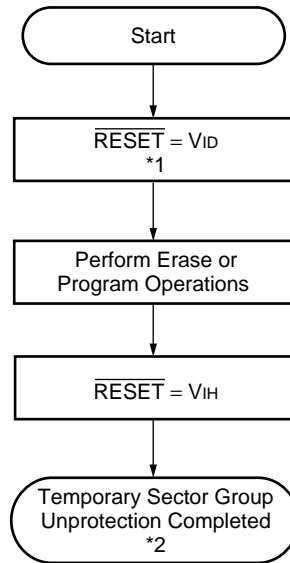
\*2 : Recheck toggle bit because it may stop toggling as DQ<sub>5</sub> changes to "1".

## 5. Sector Group Protection Algorithm



\* : A-1 is V<sub>IL</sub> in byte mode.

## 6. Temporary Sector Group Unprotection Algorithm

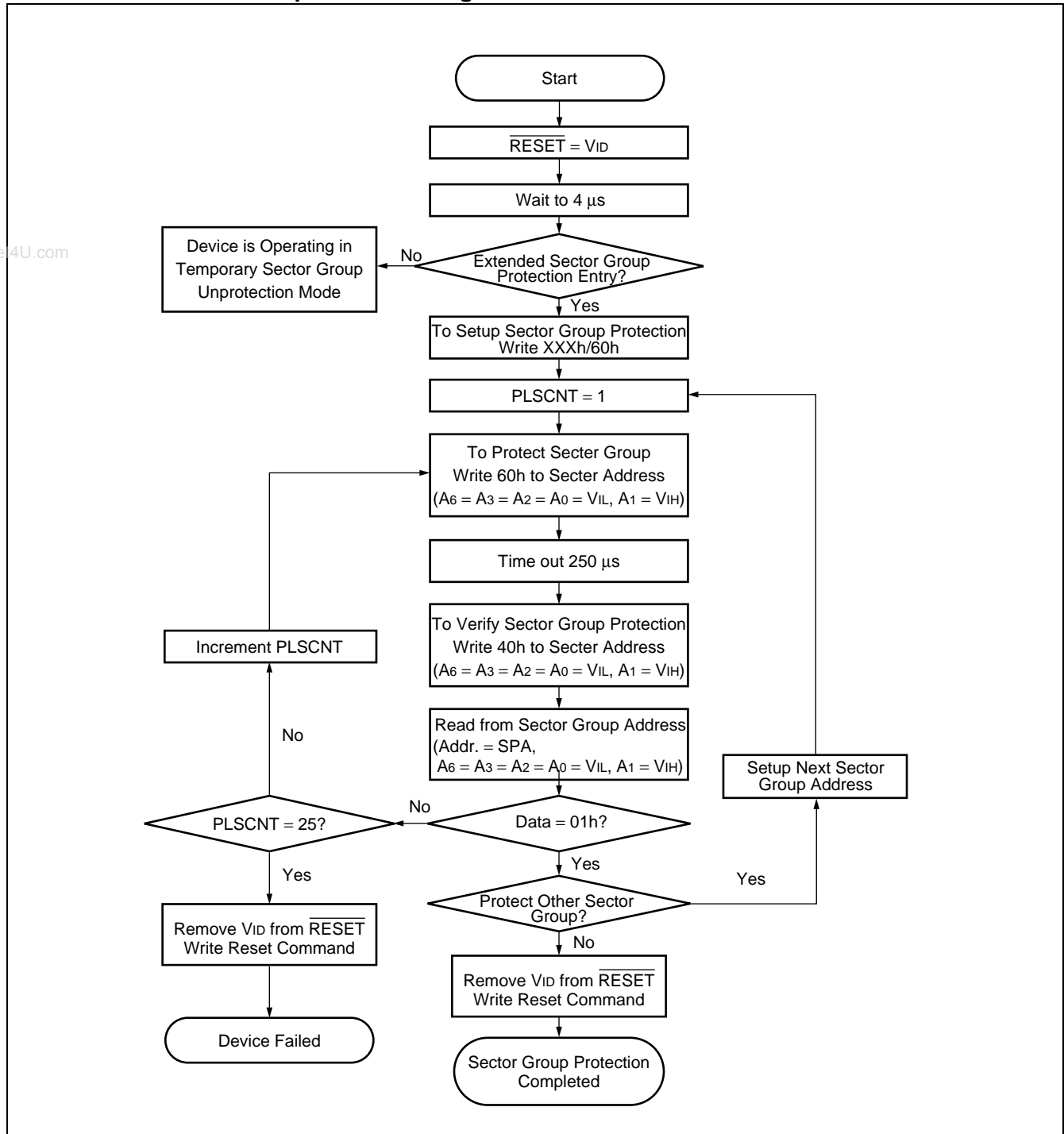


\*1 : All protected sector groups are unprotected.

\*2 : All previously protected sector groups are reprotected.

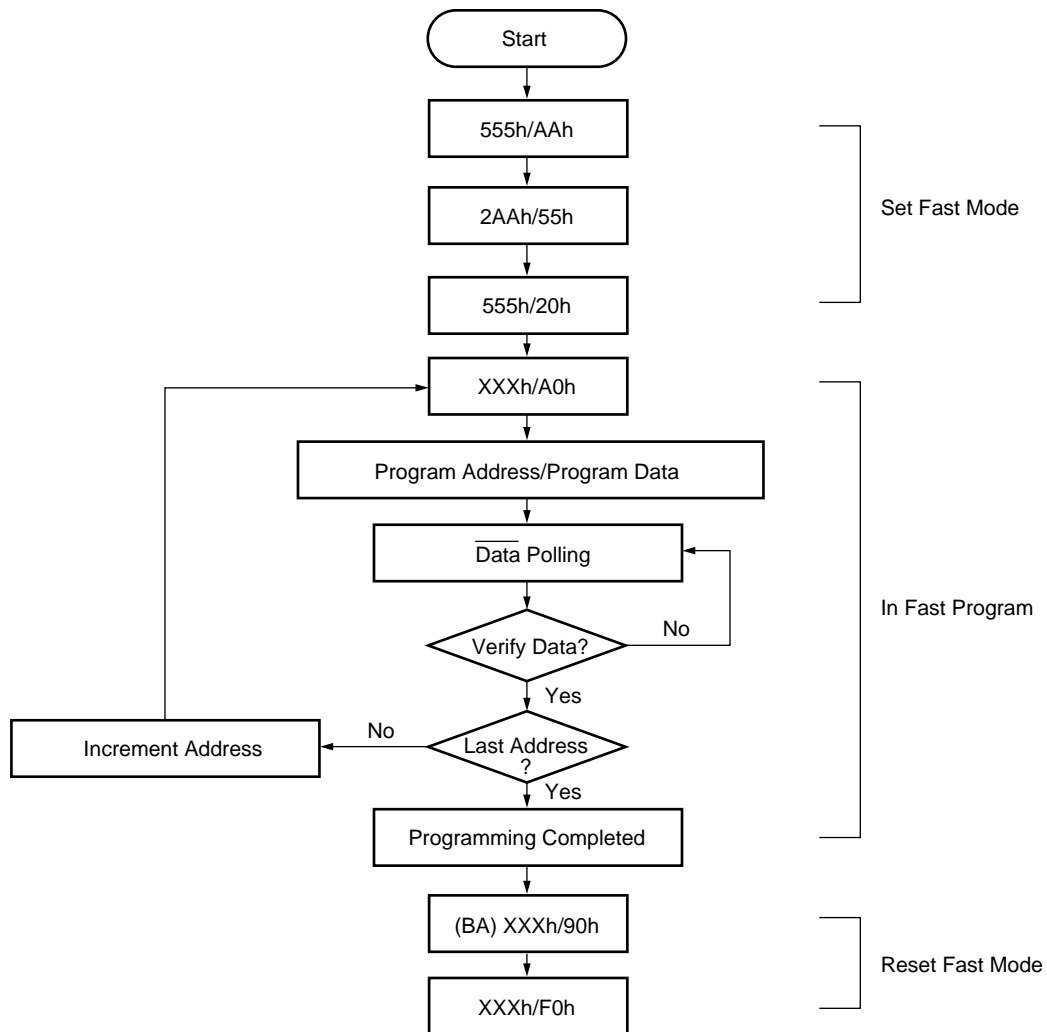


## 7. Extended Sector Group Protection Algorithm



## 8. Embedded Program™ Algorithm for Fast Mode

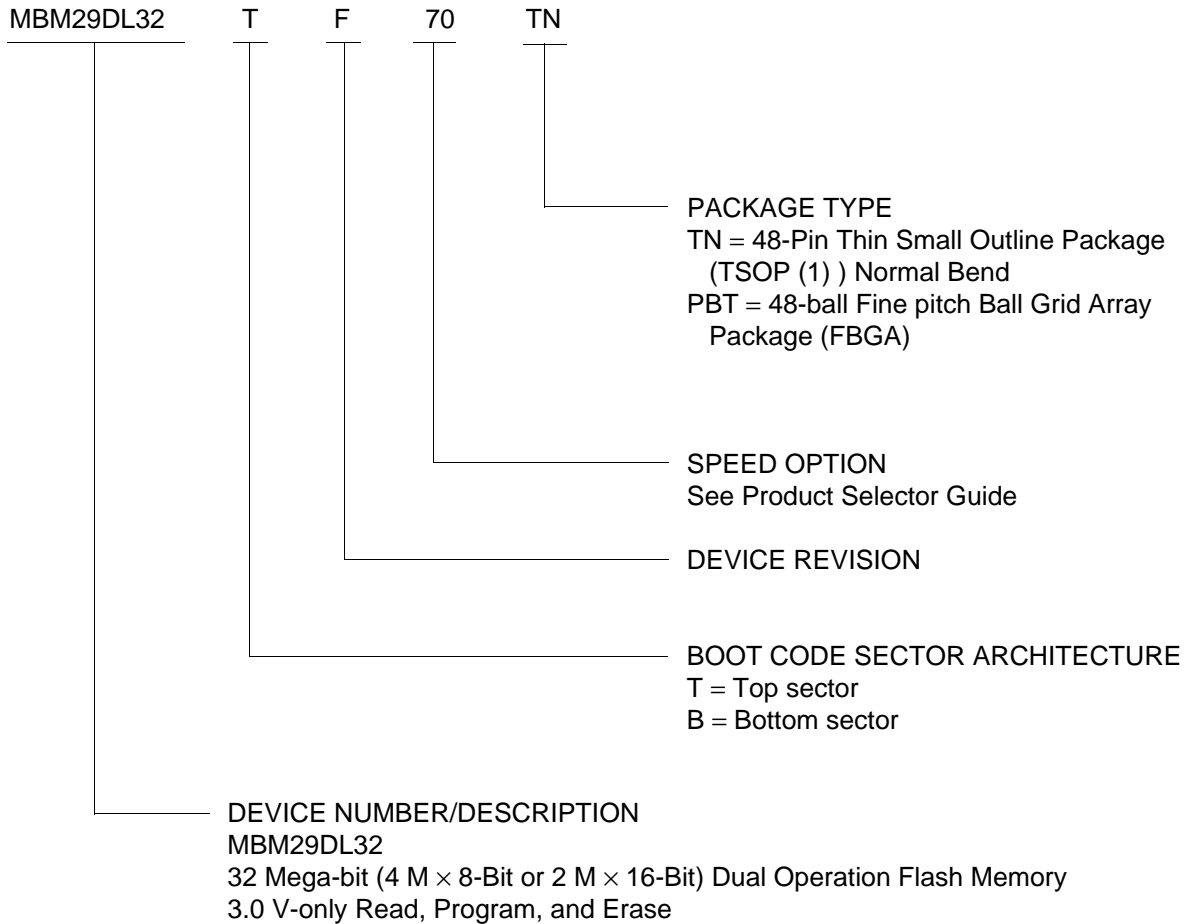
### FAST MODE ALGORITHM



- Notes :
- The sequence is applied for  $\times 16$  mode.
  - The addresses differ from  $\times 8$  mode.

## ■ ORDERING INFORMATION

Part No.	Package	Access Time (ns)	Sector Architecture
MBM29DL32TF70TN	48-pin plastic TSOP (1) (FPT-48P-M19) (Normal Bend)	70	Top Sector
MBM29DL32TF70PBT	48-pin plastic FBGA (BGA-48P-M12)	70	
MBM29DL32BF70TN	48-pin plastic TSOP (1) (FPT-48P-M19) (Normal Bend)	70	Bottom Sector
MBM29DL32BF70PBT	48-pin plastic FBGA (BGA-48P-M12)	70	



# MBM29DL32TF/BF-70

## PACKAGE DIMENSIONS

48-pin plastic TSOP (1)  
(FPT-48P-M19)

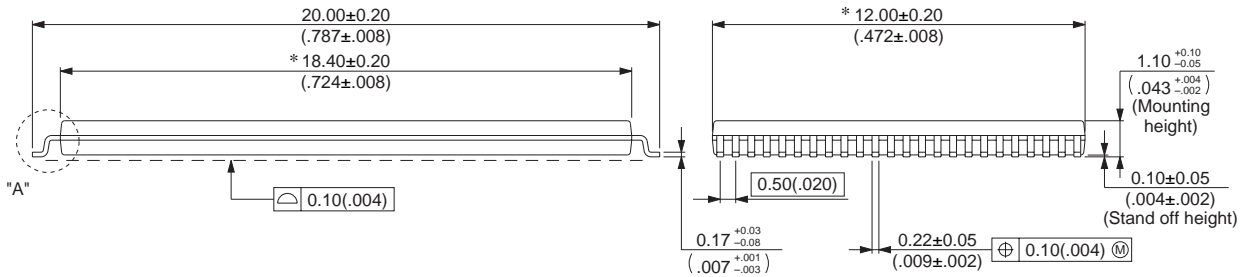
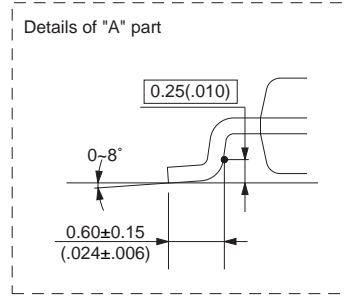
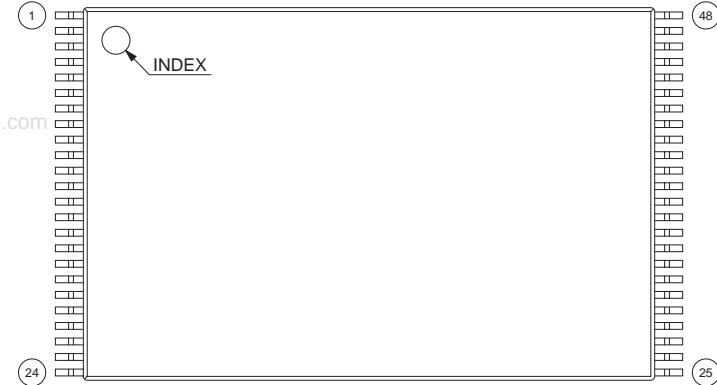
Note 1) \* : Values do not include resin protrusion.

Resin protrusion and gate protrusion are +0.15 (.006) Max (each side) .

Note 2) Pins width and pins thickness include plating thickness.

Note 3) Pins width do not include tie bar cutting remainder.

LEAD No.



© 2003 FUJITSU LIMITED F48029S-c-6-7

Dimensions in mm (inches)

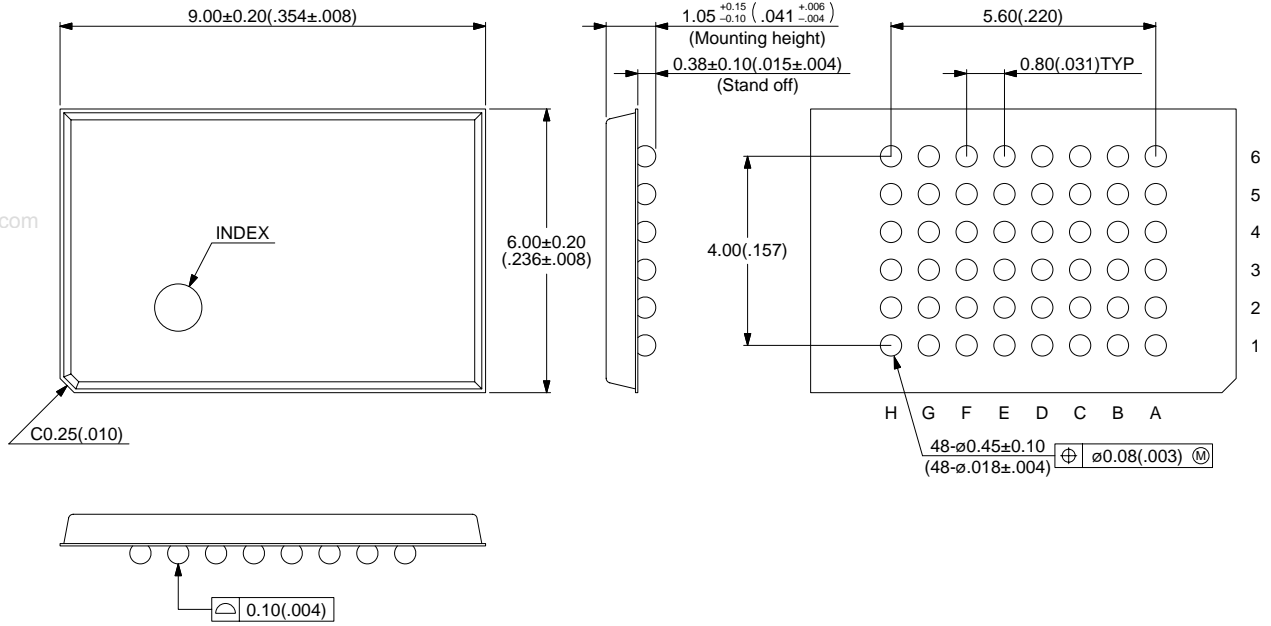
Note : The values in parentheses are reference values.

(Continued)

# MBM29DL32TF/BF-70

(Continued)

48-pin plastic FBGA  
(BGA-48P-M12)



© 2001 FUJITSU LIMITED B48012S-c-3-3

Dimensions in mm (inches)

Note : The values in parentheses are reference values.

## FUJITSU LIMITED

All Rights Reserved.

The contents of this document are subject to change without notice. Customers are advised to consult with FUJITSU sales representatives before ordering.

The information, such as descriptions of function and application circuit examples, in this document are presented solely for the purpose of reference to show examples of operations and uses of Fujitsu semiconductor device; Fujitsu does not warrant proper operation of the device with respect to use based on such information. When you develop equipment incorporating the device based on such information, you must assume any responsibility arising out of such use of the information. Fujitsu assumes no liability for any damages whatsoever arising out of the use of the information.

Any information in this document, including descriptions of function and schematic diagrams, shall not be construed as license of the use or exercise of any intellectual property right, such as patent right or copyright, or any other right of Fujitsu or any third party or does Fujitsu warrant non-infringement of any third-party's intellectual property right or other right by using such information. Fujitsu assumes no liability for any infringement of the intellectual property rights or other rights of third parties which would result from the use of information contained herein.

The products described in this document are designed, developed and manufactured as contemplated for general use, including without limitation, ordinary industrial use, general office use, personal use, and household use, but are not designed, developed and manufactured as contemplated (1) for use accompanying fatal risks or dangers that, unless extremely high safety is secured, could have a serious effect to the public, and could lead directly to death, personal injury, severe physical damage or other loss (i.e., nuclear reaction control in nuclear facility, aircraft flight control, air traffic control, mass transport control, medical life support system, missile launch control in weapon system), or (2) for use requiring extremely high reliability (i.e., submersible repeater and artificial satellite).

Please note that Fujitsu will not be liable against you and/or any third party for any claims or damages arising in connection with above-mentioned uses of the products.

Any semiconductor devices have an inherent chance of failure. You must protect against injury, damage or loss from such failures by incorporating safety design measures into your facility and equipment such as redundancy, fire protection, and prevention of over-current levels and other abnormal operating conditions.

If any products described in this document represent goods or technologies subject to certain restrictions on export under the Foreign Exchange and Foreign Trade Law of Japan, the prior authorization by Japanese government will be required for export of those products from Japan.

F0311

© FUJITSU LIMITED Printed in Japan