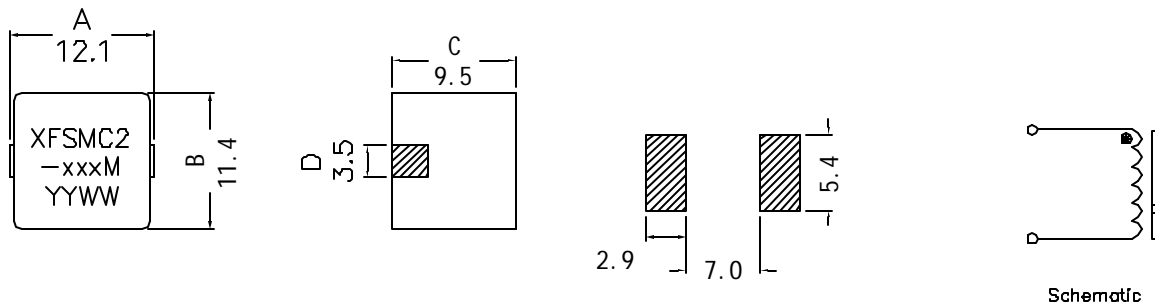


XFSMC2-xxx Series INDUCTOR

Mechanical Dimensions:



Typical Pad Layout (Min)

TOLERANCE:
 .xx ±0.25
 Dimensions in MM

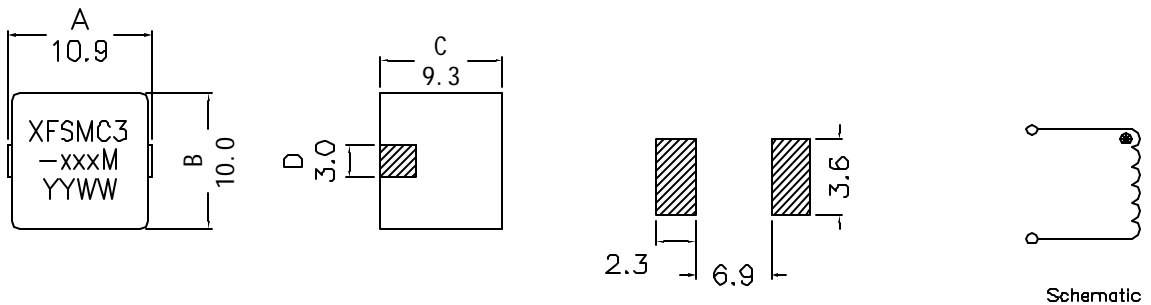
Part Number	Inductance ($\mu\text{H} \pm 15\%$)	DCR ($\pm 10\%$) (mOhms)	Isat (A)	Irms (A)	SRF (MHz) Typ
XFSMC2-R22M	0.22	0.53	60.0	27.0	280
XFSMC2-R33M	0.33	0.53	55.0	27.0	214
XFSMC2-R47M	0.47	0.72	48.0	26.0	138
XFSMC2-R68M	0.68	0.72	38.0	26.0	108
XFSMC2-R82M	0.82	1.17	36.0	24.0	99
XFSMC2-1R0M	1.00	1.17	32.0	24.0	96
XFSMC2-1R5M	1.50	2.10	27.0	19.5	92
XFSMC2-2R2M	2.20	3.05	23.0	18.0	64
XFSMC2-3R3M	3.30	4.40	17.0	17.0	44
XFSMC2-4R7M	4.70	6.35	17.0	15.5	43
XFSMC2-6R8M	6.80	8.98	13.0	13.0	42
XFSMC2-8R2M	8.20	9.90	12.0	13.0	34
XFSMC2-100M	10.0	14.4	10.0	9.0	29

Notes:

1. Measurement frequency of Inductance value: at 100KHz;(10mA)
2. Measurement ambient temperature of L,DCR and IDC: at 25°C
3. Isat: DC current at which the inductance drops 30% from its value without current
4. I rms: Average current for 40°C temperature rise form 25°C ambient(typ)
5. Solderability: Leads shall meet MIL-STD-202G, Method 208H for solderability.
6. Flammability: UL94V-0
7. ASTM oxygen index: > 28%
8. Insulation System: Class F 155°C. UL file E151556
9. Operating Temperature Range: All listed parameters are to be within tolerance from -40°C to +125°C
10. Storage Temperature Range: -55°C to +125°C
11. Aqueous wash compatible
12. SMD Lead Coplanarity: $\pm 0.004^*(0.102\text{mm})$
13. Electrical and mechanical specifications 100% tested
14. RoHS Compliant Component

XFSMC3-xxx Series INDUCTOR

Mechanical Dimensions:



Typical Pad Layout (Min)

TOLERANCE:

.xx ±0.25

Dimensions in MM

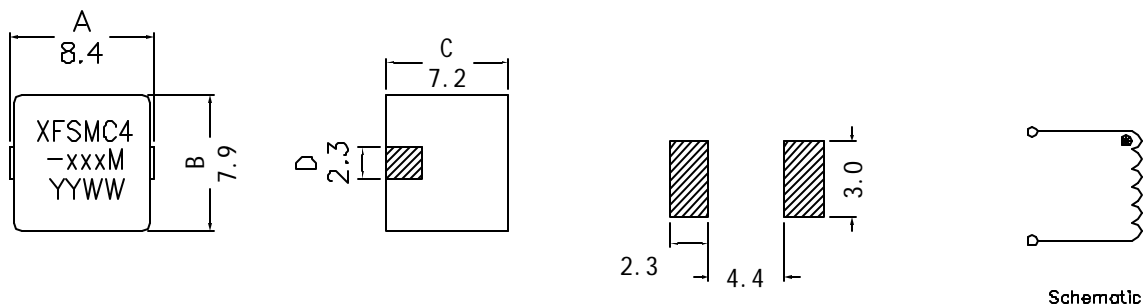
Part Number	Inductance ($\mu\text{H} \pm 15\%$)	DCR ($\pm 10\%$) (mOhms)	Isat (A)	Irms (A)	SRF (MHz) Typ
XFSMC3-R22M	0.22	0.60	60.0	21.5	300
XFSMC3-R33M	0.33	0.60	55.0	21.5	250
XFSMC3-R47M	0.47	0.80	47.0	20.5	160
XFSMC3-R68M	0.68	1.35	38.0	20.5	140
XFSMC3-R82M	0.82	1.35	36.0	20.0	120
XFSMC3-1R0M	1.00	1.35	27.5	20.0	100
XFSMC3-1R5M	1.50	2.50	27.0	18.0	78
XFSMC3-2R2M	2.20	3.7	22.0	16.5	80
XFSMC3-3R3M	3.30	5.4	15.5	14.0	51
XFSMC3-4R7M	4.70	8.2	15.0	13.0	49
XFSMC3-6R8M	6.80	13.2	11.0	11.5	40
XFSMC3-8R2M	8.20	13.2	8.0	11.5	36
XFSMC3-100M	10.0	20.7	8.0	9.0	35

Notes:

1. Measurement frequency of Inductance value: at 100KHz;(10mA)
2. Measurement ambient temperature of L,DCR and IDC: at 25°C
3. Isat: DC current at which the inductance drops 30% from its value without current
4. Irms: Average current for 40°C temperature rise from 25°C ambient(typ)
5. Solderability: Leads shall meet MIL-STD-202G,
Method 208H for solderability.
6. Flammability: UL94V-0
7. ASTM oxygen index: > 28%
8. Insulation System: Class F 155°C. UL file E151556
9. Operating Temperature Range: All listed parameters
are to be within tolerance from -40°C to +125°C
10. Storage Temperature Range: -55°C to +125°C
11. Aqueous wash compatible
12. SMD Lead Coplanarity: $\pm 0.004''$ (0.102mm)
13. Electrical and mechanical specifications 100% tested
14. RoHS Compliant Component

XFSMC4-xxx Series INDUCTOR

Mechanical Dimensions:



Typical Pad Layout (Min)

TOLERANCE:

.xx ±0.25

Dimensions in MM

Part Number	Inductance ($\mu\text{H} \pm 15\%$)	DCR($\pm 10\%$) (mOhms)	Isat (A)	Irms (A)	SRF (MHz) Typ
XFSMC4-R30M	0.30	1.40	36.0	20.5	272
XFSMC4-R47M	0.47	1.72	32.0	19.0	232
XFSMC4-R68M	0.68	1.72	23.5	19.0	181
XFSMC4-1R0M	1.00	2.95	24.0	17.0	147
XFSMC4-1R5M	1.50	4.40	18.5	16.5	120
XFSMC4-2R2M	2.20	4.40	12.5	16.5	97
XFSMC4-3R3M	3.30	6.65	8.5	14.0	81

Notes:

1. Measurement frequency of Inductance value: at 100KHz;(10mA)
2. Measurement ambient temperature of L,DCR and IDC: at 25°C
3. Isat: DC current at which the inductance drops 30% from its value without current
4. Irms: Average current for 40°C temperature rise form 25°C ambient(typ)
5. Solderability: Leads shall meet MIL-STD-202G,
Method 208H for solderability.
6. Flammability: UL94V-0
7. ASTM oxygen index: > 28%
8. Insulation System: Class F 155°C. UL file E151556
9. Operating Temperature Range: All listed parameters
are to be within tolerance from -40°C to +125°C
10. Storage Temperature Range: -55°C to +125°C
11. Aqueous wash compatible
12. SMD Lead Coplanarity: $\pm 0.004^*$ (0.102mm)
13. Electrical and mechanical specifications 100% tested
14. RoHS Compliant Component