

# DATA SHEET



## **SAA7371**

Digital servo processor and  
Compact Disc decoder (CD7)

Product specification  
File under Integrated Circuits, IC01

1998 Jul 06

# Digital servo processor and Compact Disc decoder (CD7)

## SAA7371

### CONTENTS

1	FEATURES		
2	GENERAL DESCRIPTION		
3	QUICK REFERENCE DATA		
4	ORDERING INFORMATION		
5	BLOCK DIAGRAM		
6	PINNING		
7	FUNCTIONAL DESCRIPTION		
7.1	Decoder part	7.14	Servo part
7.1.1	Principle operational modes of the decoder	7.14.1	Diode signal processing
7.1.2	Decoding speed and crystal frequency	7.14.2	Signal conditioning
7.1.3	Lock-to-disc mode	7.14.3	Focus servo system
7.1.4	Standby modes	7.14.4	Radial servo system
7.2	Crystal oscillator	7.14.5	Off-track counting
7.3	Data slicer and clock regenerator	7.14.6	Defect detection
7.4	Demodulator	7.14.7	Off-track detection
7.4.1	Frame sync protection	7.14.8	High level features
7.4.2	EFM demodulation	7.14.9	Driver interface
7.5	Subcode data processing	7.15	Microcontroller interface
7.5.1	Q-channel processing	7.15.1	Microprocessor interface (4-wire bus mode)
7.5.2	EIAJ 3 and 4-wire subcode (CD graphics) interface	7.15.2	Microcontroller interface (I <sup>2</sup> C-bus mode)
7.5.3	V4 subcode interface	7.15.3	Summary of functions controlled by registers 0 to F
7.6	FIFO error corrector	7.15.4	Summary of servo commands
7.6.1	Flags output (CFLG)	7.15.5	Summary of servo command parameters
7.6.2	C2FAIL	8	LIMITING VALUES
7.7	Audio functions	9	CHARACTERISTICS
7.7.1	De-emphasis and phase linearity	10	OPERATING CHARACTERISTICS (SUBCODE INTERFACE TIMING)
7.7.2	Digital oversampling filter	11	OPERATING CHARACTERISTICS (I <sup>2</sup> S-BUS TIMING)
7.7.3	Concealment	12	OPERATING CHARACTERISTICS (MICROCONTROLLER INTERFACE TIMING)
7.7.4	Mute, full-speed, attenuation and fade	13	APPLICATION INFORMATION
7.7.5	Peak detector	14	PACKAGE OUTLINE
7.8	DAC interface	15	SOLDERING
7.9	EBU interface	15.1	Introduction
7.9.1	Format	15.2	Reflow soldering
7.10	KILL circuit	15.3	Wave soldering
7.11	Audio features off	15.4	Repairing soldered joints
7.12	The VIA interface	16	DEFINITIONS
7.13	Spindle motor control	17	LIFE SUPPORT APPLICATIONS
7.13.1	Motor output modes	18	PURCHASE OF PHILIPS I <sup>2</sup> C COMPONENTS
7.13.3	Loop characteristics		
7.13.4	FIFO overflow		

# Digital servo processor and Compact Disc decoder (CD7)

SAA7371

## 1 FEATURES

- CD ROM mode
- Up to 4 times-speed mode
- Lock-to-disc mode
- Full error correction strategy,  $t = 2$  and  $e = 4$
- Full CD graphics interface
- All standard decoder functions implemented digitally on chip
- FIFO overflow concealment for rotational shock resistance
- Digital audio interface (EBU), audio and data
- 2 and 4 times oversampling integrated digital filter, including  $f_s$  mode
- Audio data peak level detection
- Kill interface for DAC deactivation during digital silence
- All TDA1301 (DSIC2) digital servo functions, plus extra high-level functions
- Low focus noise
- Improved playability on ABEX TCD-721R, TCD-725 and TCD-714 discs
- Automatic closed loop gain control available for focus and radial loops
- Pulsed sledge support
- Up to 80 kHz jump performance
- Electronic damping of fast radial actuator during long jump



- Microcontroller loading LOW
- High-level servo control option
- High-level mechanism monitor
- Communication may be via TDA1301/SAA7345 compatible bus or I<sup>2</sup>C-bus
- On-chip clock multiplier allows the use of 8.4672 MHz crystal.

## 2 GENERAL DESCRIPTION

The SAA7371 (CD7) is a single chip combining the functions of a CD decoder IC and digital servo IC. The decoder part is based on the SAA7345 (CD6) with an improved error correction strategy. The servo part is based on the TDA1301T (DSIC2) with improvements incorporated, extra features have also been added.

Supply of this Compact Disc IC does not convey an implied license under any patent right to use this IC in any Compact Disc application.

## 3 QUICK REFERENCE DATA

SYMBOL	PARAMETER	CONDITIONS	MIN.	TYP.	MAX.	UNIT
$V_{DD}$	supply voltage		4.75	5.0	5.25	V
$I_{DD}$	supply current	n = 1 mode	–	49	–	mA
$f_{xtal}$	crystal frequency		8	8.4672	35	MHz
$T_{amb}$	operating ambient temperature		–40	–	+85	°C
$T_{stg}$	storage temperature		–55	–	+125	°C

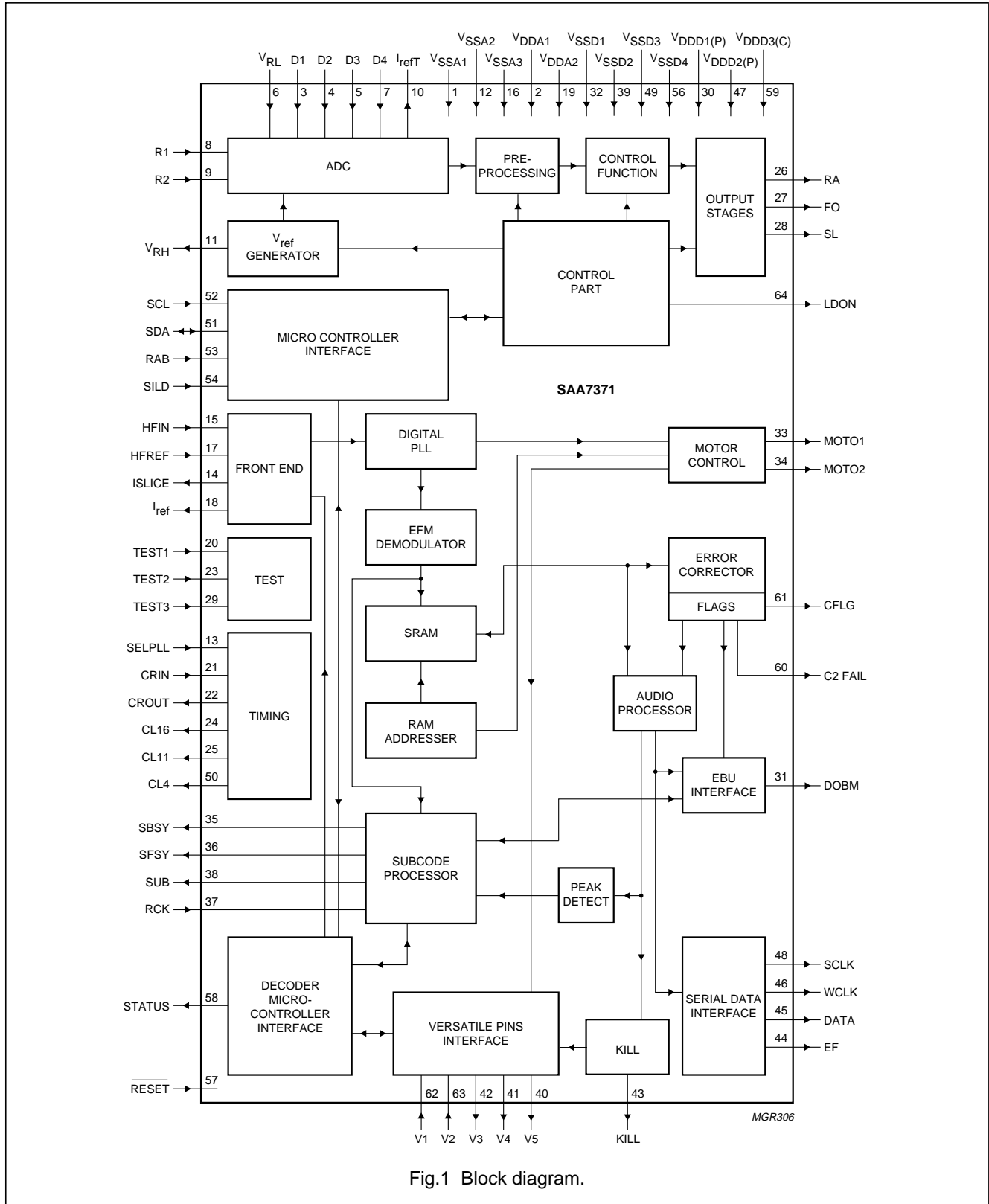
## 4 ORDERING INFORMATION

TYPE NUMBER	PACKAGE		
	NAME	DESCRIPTION	VERSION
SAA7371GP	QFP64	plastic quad flat package; 64 leads (lead length 1.6 mm); body 14 × 14 × 2.7 mm	SOT393-1

# Digital servo processor and Compact Disc decoder (CD7)

## SAA7371

### 5 BLOCK DIAGRAM



# Digital servo processor and Compact Disc decoder (CD7)

SAA7371

## 6 PINNING

SYMBOL	PIN	DESCRIPTION
V <sub>SSA1</sub>	1 <sup>(1)</sup>	analog ground 1
V <sub>DDA1</sub>	2 <sup>(1)</sup>	analog supply voltage 1
D1	3	unipolar current input (central diode signal input)
D2	4	unipolar current input (central diode signal input)
D3	5	unipolar current input (central diode signal input)
V <sub>RL</sub>	6	reference voltage input for ADC
D4	7	unipolar current input (central diode signal input)
R1	8	unipolar current input (satellite diode signal input)
R2	9	unipolar current input (satellite diode signal input)
I <sub>refT</sub>	10	current reference output for ADC calibration
V <sub>RH</sub>	11	reference voltage output from ADC
V <sub>SSA2</sub>	12 <sup>(1)</sup>	analog ground 2
SELPLL	13	selects whether internal clock multiplier PLL is used
ISLICE	14	current feedback output from data slicer
HFIN	15	comparator signal input
V <sub>SSA3</sub>	16 <sup>(1)</sup>	analog ground 3
HFREF	17	comparator common mode input
I <sub>ref</sub>	18	reference current output pin (nominally 0.5V <sub>DD</sub> )
V <sub>DDA2</sub>	19 <sup>(1)</sup>	analog supply voltage 2
TEST1	20	test control input 1; this pin should be tied LOW
CRIN	21	crystal/resonator input
CROUT	22	crystal/resonator output
TEST2	23	test control input 2; this pin should be tied LOW
CL16	24	16.9344 MHz system clock output
CL11	25	11.2896 or 5.6448 MHz clock output (3-state)
RA	26	radial actuator output
FO	27	focus actuator output
SL	28	sledge control output
TEST3	29	test control input 3; this pin should be tied LOW
V <sub>DD1(P)</sub>	30 <sup>(1)</sup>	digital supply voltage 1 for periphery
DOBM	31	bi-phase mark output (externally buffered; 3-state)
V <sub>SSD1</sub>	32 <sup>(1)</sup>	digital ground 1
MOTO1	33	motor output 1; versatile (3-state)
MOTO2	34	motor output 2; versatile (3-state)
SBSY	35	subcode block sync output (3-state)
SFSY	36	subcode frame sync output (3-state)
RCK	37	subcode clock input
SUB	38	P-to-W subcode bits output (3-state)
V <sub>SSD2</sub>	39 <sup>(1)</sup>	digital ground 2
V5	40	versatile output pin 5

# Digital servo processor and Compact Disc decoder (CD7)

SAA7371

SYMBOL	PIN	DESCRIPTION
V4	41	versatile output pin 4
V3	42	versatile output pin 3 (open-drain)
KILL	43	kill output (programmable; open-drain)
EF	44	C2 error flag; output only defined in CD ROM modes (3-state)
DATA	45	serial data output (3-state)
WCLK	46	word clock output (3-state)
V <sub>DD2(P)</sub>	47 <sup>(1)</sup>	digital supply voltage 2 for periphery
SCLK	48	serial bit clock output (3-state)
V <sub>SS3</sub>	49 <sup>(1)</sup>	digital ground 3
CL4	50	4.2336 MHz microcontroller clock output
SDA	51	microcontroller interface data I/O line (open-drain output)
SCL	52	microcontroller interface clock line input
RAB	53	microcontroller interface R/ $\bar{W}$ and load control line input (4-wire bus mode)
SILD	54	microcontroller interface $\bar{R}/W$ and load control line input (4-wire-bus mode)
n.c.	55	not connected
V <sub>SS4</sub>	56 <sup>(1)</sup>	digital ground 4
$\overline{\text{RESET}}$	57	power-on reset input (active LOW)
STATUS	58	servo interrupt request line/decoder status register output (open-drain)
V <sub>DD3(C)</sub>	59 <sup>(1)</sup>	digital supply voltage 3 for core
C2FAIL	60	indication of correction failure output (open-drain)
CFLG	61	correction flag output (open-drain)
V1	62	versatile input pin 1
V2	63	versatile input pin 2
LDON	64	laser drive on output (open-drain)

**Note**

1. All supply pins must be connected to the same external power supply voltage.

# Digital servo processor and Compact Disc decoder (CD7)

SAA7371

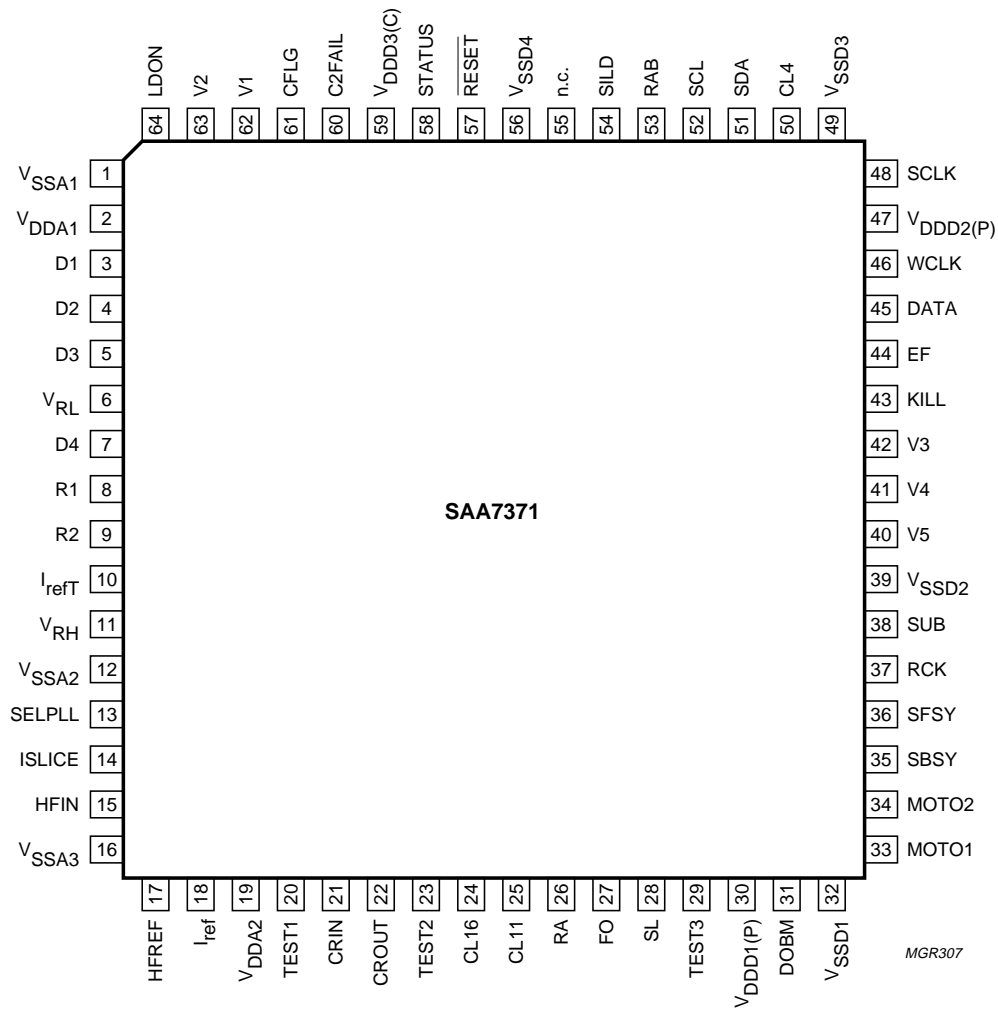


Fig.2 Pin configuration.

# Digital servo processor and Compact Disc decoder (CD7)

SAA7371

## 7 FUNCTIONAL DESCRIPTION

### 7.1 Decoder part

#### 7.1.1 PRINCIPLE OPERATIONAL MODES OF THE DECODER

The decoding part can operate at different disc speeds, from single-speed ( $n = 1$ ) up to 4 times speed ( $n = 4$ ). The factor 'n' is called the overspeed factor. A simplified data flow through the decoder part is illustrated in Fig.6.

#### 7.1.2 DECODING SPEED AND CRYSTAL FREQUENCY

The SAA7371 is a multi-speed decoding device, with an internal phase-locked loop (PLL) clock multiplier. Depending on the crystal frequency used and the internal clock settings (selectable via registers B and E), the playback speeds shown in Table 1 are possible, where 'n' is the overspeed factor. An internal clock multiplier is present, controlled by SELPLL, and should only be used if an 8.4672 MHz crystal, ceramic resonator or external clock is present.

#### 7.1.3 LOCK-TO-DISC MODE

For high speed CD ROM applications, the SAA7371 has a special mode, the lock-to-disc mode. This allows Constant Angular Velocity (CAV) disc playback with varying input data rates from the inside-to-outside of the disc. In the lock-to-disc mode, the FIFO is blocked and the decoder will adjust its output data rate to the disc speed. Hence, the frequency of the I<sup>2</sup>S-bus (WCLK and SCLK) clocks are dependent on the disc speed. In the lock-to-disc mode there is a limit on the maximum variation in disc speed that

the SAA7371 will follow. Disc speeds must always be within 25% to 100% range of their nominal value. The lock-to-disc mode is enabled/disabled by register E.

#### 7.1.4 STANDBY MODES

The SAA7371 may be placed in two standby modes selected by register B (it should be noted that the device core is still active):

Standby 1: 'CD-STOP' mode. Most I/O functions are switched off.

Standby 2: 'CD-PAUSE' mode. Audio output features are switched off, but the motor loop, the motor output and the subcode interfaces remain active. This is also called a 'Hot Pause'.

In the standby modes the various pins will have the following values:

MOTO1 and MOTO2: put in high-impedance, PWM mode (standby 1 and reset, operating in standby 2). Put in high-impedance, PDM mode (standby 1 and reset, operating in standby 2).

SCL, SDA, SILD and RAB: no interaction. Normal operation continues.

SCLK, WCLK, DATA, EF, CL11 and DOBM: 3-state in both standby modes. Normal operation continues after reset.

CRIN, CROUT, CL16 and CL4: no interaction. Normal operation continues.

V1, V2, V3, V4, V5, CFLG and C2FAIL: no interaction. Normal operation continues.

**Table 1** Playback speeds

REGISTER B	REGISTER E	SELPLL	CRYSTAL FREQUENCY (MHz)			CL11 FREQUENCY (MHz) <sup>(1)</sup>
			33.8688	16.9344	8.4672	
00xx	0xxx	0	n = 1	–	–	11.2896
00xx	0xxx	1	–	–	n = 1	11.2896
01xx	0xxx	0	–	n = 1	–	5.6448
10xx	0xxx	0	n = 2	–	–	11.2896
10xx	0xxx	1	–	–	n = 2	11.2896
11xx	0xxx	0	–	n = 2 <sup>(2)</sup>	–	5.6448
00xx	1xxx	0	n = 4 <sup>(2)</sup>	–	–	11.2896
00xx	1xxx	1	–	–	n = 4	11.2896
01xx	1xxx	0	–	n = 4 <sup>(2)</sup>	–	5.6448

#### Note

1. The CL11 output is always a 5.6448 MHz clock if a 16.9344 MHz external clock is used and SELPLL = 0.



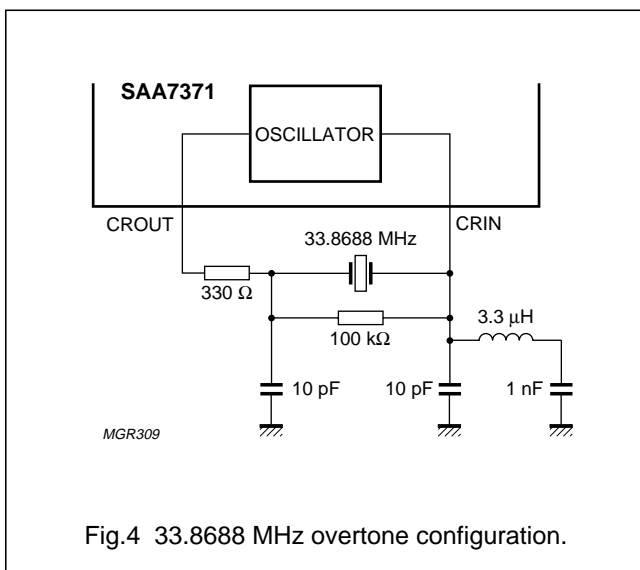
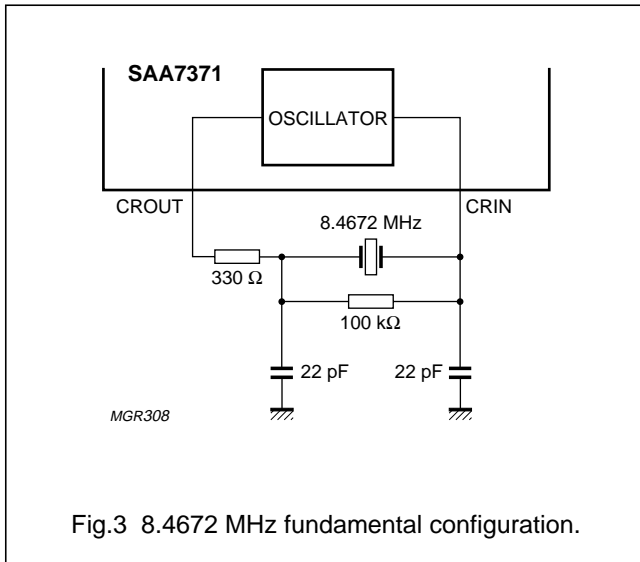
# Digital servo processor and Compact Disc decoder (CD7)

## SAA7371

2. Data capture performance is not optimized for these options.

### 7.2 Crystal oscillator

The crystal oscillator is a conventional 2 pin design operating between 8 MHz and 35 MHz. This oscillator is capable of operating with ceramic resonators and with both fundamental and third overtone crystals. External components should be used to suppress the fundamental output of the third overtone crystals as shown in Figs 3 and 4. Typical oscillation frequencies required are 8.4672, 16.9344 or 33.8688 MHz depending on the internal clock settings used and whether or not the clock multiplier is enabled.



### 7.3 Data slicer and clock regenerator

The SAA7371 has an integrated slice level comparator which can be clocked by the crystal frequency clock, or 8 times the crystal frequency clock (if SELPLL is set HIGH while using an 8.4672 MHz crystal, and register 4 is set to 0xxx). The slice level is controlled by an internal current source applied to an external capacitor under the control of the Digital Phase-Locked Loop (DPLL).

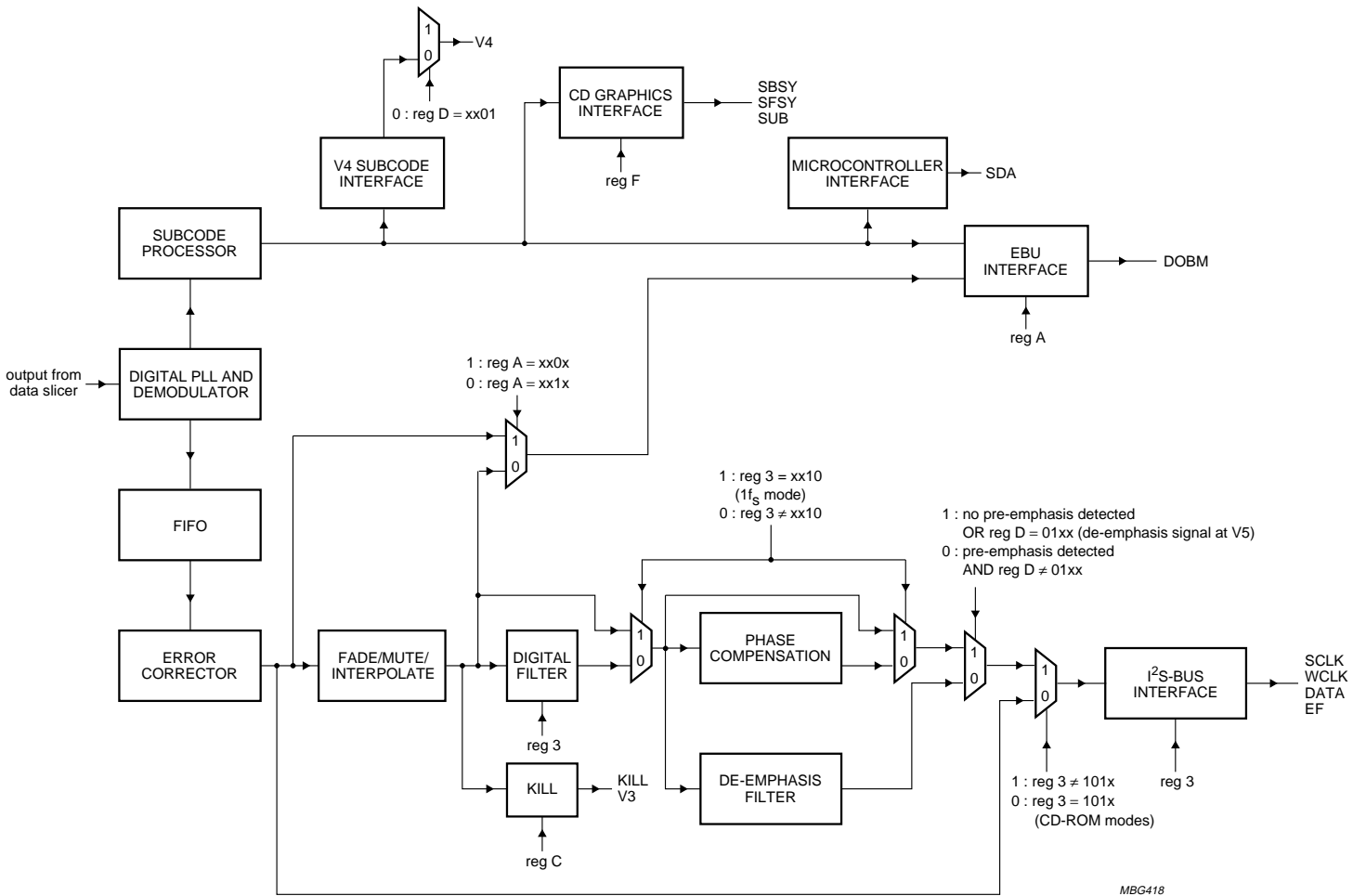
Regeneration of the bit clock is achieved with an internal fully digital PLL. No external components are required and the bit clock is not output. The PLL has two registers (8 and 9) for selecting bandwidth and equalization.

For certain applications an off-track input is necessary. This is internally connected from the servo part (its polarity can be changed by the foc\_parm1 parameter), but may be input via the V1 pin if selected by register C. If this flag is HIGH, the SAA7371 will assume that its servo part is following on the wrong track, and will flag all incoming HF data as incorrect.



# Digital servo processor and Compact Disc decoder (CD7)

SAA7371



MBG418

Fig.6 Simplified data flow of decoder functions.

# Digital servo processor and Compact Disc decoder (CD7)

## SAA7371

### 7.5 Subcode data processing

#### 7.5.1 Q-CHANNEL PROCESSING

The 96-bit Q-channel word is accumulated in an internal buffer. The last 16 bits are used internally to perform a Cyclic Redundancy Check (CRC). If the data is good, the SUBQREADY-I signal will go LOW. SUBQREADY-I can be read via the SDA or STATUS pins, selected via register 2. Good Q-channel data may be read from SDA.

#### 7.5.2 EIAJ 3 AND 4-WIRE SUBCODE (CD GRAPHICS) INTERFACES

Data from all the subcode channels (P-to- W) may be read via the subcode interface, which conforms to EIAJ CP-2401. The interface is enabled and configured as either a 3-wire or 4-wire interface via register F. The subcode interface output formats are illustrated in Fig.7, where the RCK signal is supplied by another device such as a CD graphics decoder.

#### 7.5.3 V4 SUBCODE INTERFACE

Data of subcode channels, Q-to-W, may be read via pin V4 if selected via register D. The format is similar to RS232 and is illustrated in Fig.8. The subcode sync word is formed by a pause of  $(200/n)$   $\mu$ s minimum. Each subcode byte starts with a logic 1 followed by 7 bits (Q-to W). The gap between bytes is variable between  $(11.3/n)$   $\mu$ s and  $(90/n)$   $\mu$ s.

The subcode data is also available in the EBU output (DOBM) in a similar format.

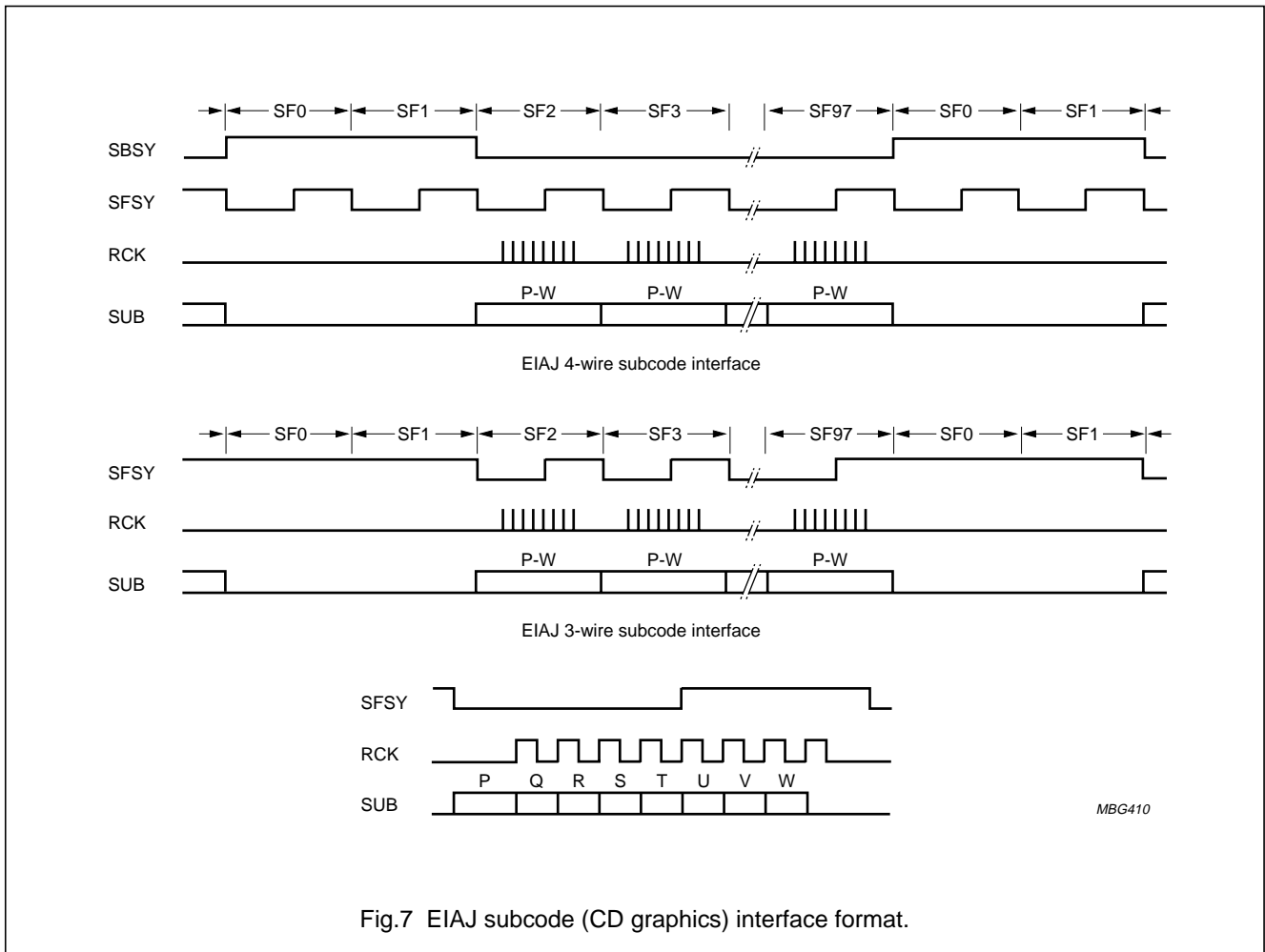
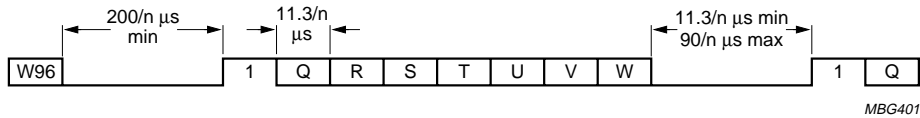


Fig.7 EIAJ subcode (CD graphics) interface format.

Digital servo processor and Compact Disc decoder (CD7)

SAA7371



n = disc speed.

Fig.8 Subcode format and timing on pin V4.

7.6 FIFO and error corrector

The SAA7371 has a ±8 frame FIFO. The error corrector is a t = 2, e = 4 type, with error corrections on both C1 (32 symbol) and C2 (28 symbol) frames. Four symbols are used from each frame as parity symbols. This error corrector can correct up to two errors on the C1 level and up to four errors on the C2 level.

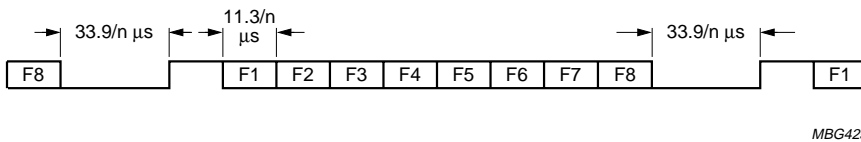
The error corrector also contains a flag processor. Flags are assigned to symbols when the error corrector cannot ascertain if the symbols are definitely good. C1 generates output flags which are read after (de-interleaving) by C2, to help in the generation of C2 output flags.

The C2 output flags are used by the interpolator for concealment of uncorrectable errors. They are also output via the EBU signal (DOBM) and the EF output with I<sup>2</sup>S-bus for CD ROM applications.

7.6.1 FLAGS OUTPUT (CFLG)

The flags output pin CFLG (open-drain) shows the status of the error corrector and interpolator and is updated every frame (7.35 × n kHz). In the SAA7371 chip a 1-bit flag is present on the CFLG pin as illustrated in Fig.9. This signal shows the status of the error corrector and interpolator.

The first flag bit, F1, is the absolute time sync signal, the FIFO-passed subcode sync and relates the position of the subcode sync to the audio data (DAC output). This flag may also be used in a super FIFO or in the synchronisation of different players. The output flags can be made available at bit 4 of the EBU data format (LSB of the 24-bit data word), if selected by register A.



n = disc speed.

Fig.9 Flag output timing diagram.

# Digital servo processor and Compact Disc decoder (CD7)

SAA7371

**Table 2** Output flags

F1	F2	F3	F4	F5	F6	F7	F8	DESCRIPTION
0	x	x	x	x	x	x	x	no absolute time sync
1	x	x	x	x	x	x	x	absolute time sync
x	0	0	x	x	x	x	x	C1 frame contained no errors
x	0	1	x	x	x	x	x	C1 frame contained 1 error
x	1	0	x	x	x	x	x	C1 frame contained 2 errors
x	1	1	x	x	x	x	x	C1 frame uncorrectable
x	x	x	0	0	x	x	0	C2 frame contained no errors
x	x	x	0	0	x	x	1	C2 frame contained 1 error
x	x	x	0	1	x	x	0	C2 frame contained 2 errors
x	x	x	0	1	x	x	1	C2 frame contained 3 errors
x	x	x	1	0	x	x	0	C2 frame contained 4 errors
x	x	x	1	1	x	x	1	C2 frame uncorrectable
x	x	x	x	x	0	0	x	no interpolations
x	x	x	x	x	0	1	x	at least one 1-sample interpolation
x	x	x	x	x	1	0	x	at least one hold and no interpolations
x	x	x	x	x	1	1	x	at least one hold and one 1 sample interpolation

## 7.6.2 C2FAIL

The C2FAIL pin indicates that invalid data has occurred on the I<sup>2</sup>S-bus interface. However, due to the structure of the corrector it is impossible to determine which byte has failed. C2FAIL will go LOW for (140/n)  $\mu$ s when invalid data is detected, this data may then occur (15/n)  $\mu$ s before or after the pin is activated.

## 7.7 Audio functions

### 7.7.1 DE-EMPHASIS AND PHASE LINEARITY

When pre-emphasis is detected in the Q-channel subcode, the digital filter automatically includes a de-emphasis filter section. When de-emphasis is not required, a phase compensation filter section controls the phase of the digital oversampling filter to  $\leq \pm 1^\circ$  within the band 0 to 16 kHz. With de-emphasis the filter is not phase linear.

If the de-emphasis signal is set to be available at V5, selected via register D, then the de-emphasis filter is bypassed.

### 7.7.2 DIGITAL OVERSAMPLING FILTER

The SAA7371 contains a 2 to 4 times oversampling IIR filter. The filter specification of the 4 times oversampling filter is given in Table 3.

These attenuations do not include the sample-and-hold at the external DAC output or the DAC post filter. When using the oversampling filter, the output level is scaled  $-0.5$  dB down, to avoid overflow on full scale sine wave inputs (0 to 20 kHz).

**Table 3** Filter specification

PASS BAND	STOP BAND	ATTENUATION
0 to 9 kHz	–	$\leq 0.001$ dB
19 to 20 kHz	–	$\leq 0.03$ dB
–	24 kHz	$\geq 25$ dB
–	24 to 27 kHz	$\geq 38$ dB
–	27 to 35 kHz	$\geq 40$ dB
–	35 to 64 kHz	$\geq 50$ dB
–	64 to 68 kHz	$\geq 31$ dB
–	68 kHz	$\geq 35$ dB
–	69 to 88 kHz	$\geq 40$ dB

## Digital servo processor and Compact Disc decoder (CD7)

SAA7371

### 7.7.3 CONCEALMENT

A 1 sample linear interpolator becomes active if a single sample is flagged as erroneous but cannot be corrected. The erroneous sample is replaced by a level midway between the preceding and following samples. Left and right channels have independent interpolators. If more than one consecutive non-correctable sample is found, the last good sample is held. A 1-sample linear interpolation is then performed before the next good sample (see Fig.10).

In CD ROM modes (i.e. the DAC interface is selected to be in a CD ROM format) concealment is not executed.

### 7.7.4 MUTE, FULL-SPEED, ATTENUATION AND FADE

A digital level controller is present on the SAA7371 which performs the functions of soft mute, full scale, attenuation and fade; these are selected via register 0:

Mute: signal reduced to 0 in a maximum of 128 steps; (3/n)  $\mu$ s.

Attenuate: signal scaled by -12 dB.

Full scale: ramp signal back to 0 dB level. From mute takes (3/n)  $\mu$ s.

Fade: activates a 128 stage counter which allows the signal to be scaled up/down by 0.07 dB steps

128 = full scale.

120 = -0.5 dB (i.e. full scale if oversampling filter used).

32 = -12 dB.

0 = mute.

### 7.7.5 PEAK DETECTOR

The peak detector measures the highest audio level (absolute value) on positive peaks for left and right channels. The 8 most significant bits are output in the Q-channel data in place of the CRC bits. Bits 81 to 88 contain the left peak value (bit 88 = MSB) and bits 89 to 96 contain the right peak value (bit 96 = MSB). The values are reset after reading Q-channel data via SDA.

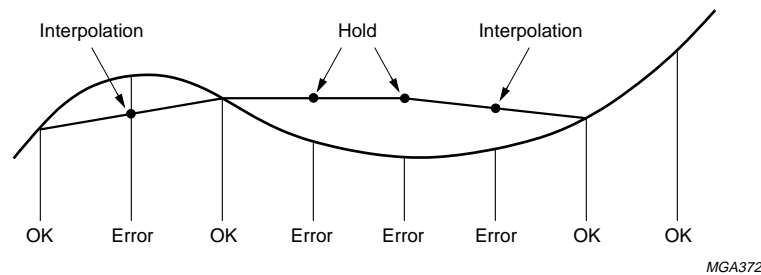


Fig.10 Concealment mechanism.

## Digital servo processor and Compact Disc decoder (CD7)

SAA7371

### 7.8 DAC interface

The SAA7371 is compatible with a wide range of digital-to-analog converters (DACs). Eleven formats are supported and are given in Table 4. Figures 11 and 12 show the Philips I<sup>2</sup>S-bus and the EIAJ data formats respectively. When the decoder is operated in lock-to-disc mode, the SCLK frequency is dependent on the disc speed factor 'd'. All formats are MSB first and  $f_s$  is  $(44.1 \times n)$  kHz. The polarity of the WCLK and the data can be inverted; selectable by register 7. It should be noted that EF is only a defined output in CD ROM modes.

**Table 4** DAC interface formats

REGISTER 3	SAMPLE FREQUENCY	NUMBER OF BITS	SCLK (MHz)	FORMAT	INTERPOLATION
1010	$f_s$	16	$2.1168 \times n$	CD ROM (I <sup>2</sup> S-bus)	no
1011	$f_s$	16	$2.1168 \times n$	CD ROM (EIAJ)	no
1110	$f_s$	16/18 <sup>(1)</sup>	$2.1168 \times n$	Philips I <sup>2</sup> S-bus 16/18 bits <sup>(1)</sup>	yes
0010	$f_s$	16	$2.1168 \times n$	EIAJ 16 bits	yes
0110	$f_s$	18	$2.1168 \times n$	EIAJ 18 bits	yes
0000	$4f_s$	16	$8.4672 \times n$	EIAJ 16 bits	yes
0100	$4f_s$	18	$8.4672 \times n$	EIAJ 18 bits	yes
1100	$4f_s$	18	$8.4672 \times n$	Philips I <sup>2</sup> S-bus 18 bits	yes
0011	$2f_s$	16	$4.2336 \times n$	EIAJ 16 bits	yes
0111	$2f_s$	18	$4.2336 \times n$	EIAJ 18 bits	yes
1111	$2f_s$	18	$4.2336 \times n$	Philips I <sup>2</sup> S-bus 18 bits	yes

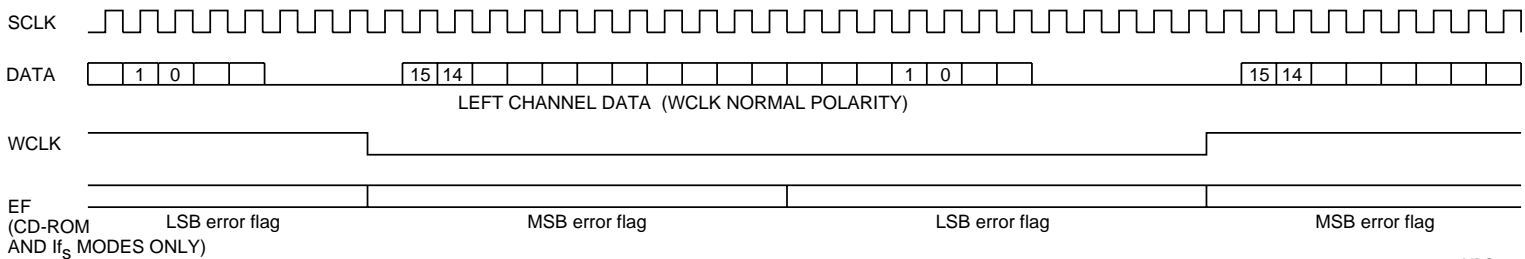
#### Note

1. in this mode the first 16 bits contain data, but if any of the fade, attenuate or de-emphasis filter functions are activated then the first 18 bits contain data.



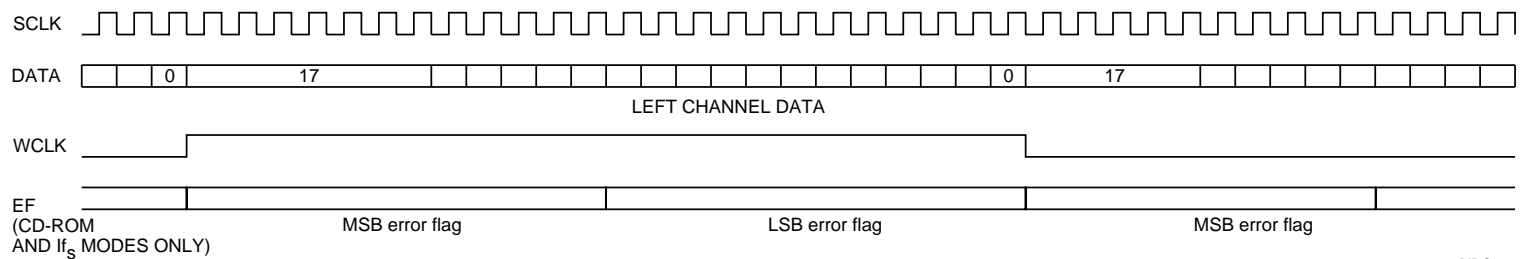
Digital servo processor and  
Compact Disc decoder (CD7)

SAA7371



MBG424

Fig.11 Philips I<sup>2</sup>S-bus data format (16-bit word length shown).



MBG423

Fig.12 EIAJ data format (18-bit word length shown).

## Digital servo processor and Compact Disc decoder (CD7)

SAA7371

### 7.9 EBU interface

The bi-phase mark digital output signal at pin DOBM is in accordance with the format defined by the IEC958 specification. Three different modes can be selected via register A;

- DOBM pin held LOW.
- Data taken before concealment, mute and fade (must always be used for CD ROM modes).
- Data taken after concealment, mute and fade.

### 7.9.1 FORMAT

The digital audio output consists of 32-bit words ('subframes') transmitted in bi-phase mark code (two transitions for a logic 1 and one transition for a logic 0). Words are transmitted in blocks of 384. Table 5 gives the formats.

**Table 5** Format

FUNCTION	BITS	DESCRIPTION
Sync	0 to 3	
Auxiliary	4 to 7	not used; normally zero
Error flags	4	CFLG error and interpolation flags when selected by register A
Audio sample	8 to 27	first 4 bits not used (always zero). 2's complement. LSB = bit 12, MSB = bit 27
Validity flag	28	valid = logic 0
User data	29	used for subcode data (Q-to-W)
Channel status	30	control bits and category code
Parity bit	31	even parity for bits 4 to 30

**Table 6** Description of Table 5

FUNCTION	DESCRIPTION
Sync	The sync word is formed by violation of the bi-phase rule and therefore does not contain any data. Its length is equivalent to 4 data bits. The 3 different sync patterns indicate the following situations: sync B: start of a block (384 words), word contains left sample; sync M: word contains left sample (no block start) and sync W: word contains right sample.
Audio sample	Left and right samples are transmitted alternately.
Validity flag	Audio samples are flagged (bit 28 = 1) if an error has been detected but was uncorrectable. This flag remains the same even if data is taken after concealment.
User data	Subcode bits Q-to-W from the subcode section are transmitted via the user data bit. This data is asynchronous with the block rate.
Channel status	The channel status bit is the same for left and right words. Therefore a block of 384 words contains 192 channel status bits. The category code is always CD. The bit assignment is given in Table 7.

## Digital servo processor and Compact Disc decoder (CD7)

SAA7371

**Table 7** Bit assignment

FUNCTION	BITS	DESCRIPTION
Control	0 to 3	copy of CRC checked Q-channel control bits 0 to 3; bit 2 is logic 1 when copy permitted; bit 3 is logic 1 when recording has pre-emphasis
Reserved mode	4 to 7	always zero
Category code	8 to 15	CD: bit 8 = logic, 1 all other bits = logic 0
Clock accuracy	28 to 29	set by register A; 10 = level I; 00 = level II; 01 = level III
Remaining	16 to 27 and 30 to 191	always zero

### 7.10 KILL circuit

The KILL circuit detects digital silence by testing for an all-zero or all-ones data word in the left or right channel before the digital filter. The output is switched active LOW when silence has been detected for at least 250 ms, or if mute is active, or in CD ROM modes. Two modes are available which can be selected by register C;

1 pin kill: KILL active LOW indicates silence detected on both left and right channels.

2 pin kill: KILL active LOW indicates silence detected on left channel. V3 active LOW indicates silence detected on right channel.

It should be noted that when mute is active or in CD ROM modes the output(s) are switched LOW.

### 7.11 Audio features off

The audio features can be turned off (selected by register E) which affects the following functions;

- Digital filter, fade, peak detector, KILL circuit (but outputs KILL, V3 still active) are disabled.
- V5 (if selected to be the de-emphasis flag output) and the EBU outputs become undefined.

It should be noted that the EBU output should be set LOW prior to switching the audio features off and after switching audio features back on a full-scale command should be given.

## Digital servo processor and Compact Disc decoder (CD7)

SAA7371

### 7.12 The VIA interface

The SAA7371 has five pins that can be reconfigured for different applications (see Table 8).

**Table 8** Pin applications

PIN NAME	PIN NUMBER	TYPE	CONTROL REGISTER ADDRESS	CONTROL REGISTER DATA	FUNCTION
V1	62	input	1100	xxx1	external off-track signal input
			–	xxx0	internal off-track signal used, input may be read via decoder status bit; selected via register 2
V2	63	input	–	–	input may be read via decoder status bit; selected via register 2
V3	42	output	1100	xx0x	KILL output for right channel
			–	x01x	output = 0
			–	x11x	output = 1
V4	41	output	1101	0000	4-line motor drive (using V4 and V5)
			–	xx01	Q-to-W subcode output
			–	xx10	output = 0
			–	xx11	output = 1
V5	40	output	1101	01xx	de-emphasis output (active HIGH)
			–	10xx	output = 0
			–	11xx	output = 1

### 7.13 Spindle motor control

#### 7.13.1 MOTOR OUTPUT MODES

The spindle motor speed is controlled by a fully integrated digital servo. Address information from the internal  $\pm 8$  frame FIFO and disc speed information are used to calculate the motor control output signals. Several output modes, selected by register 6, are supported:

- Pulse density, 2-line (true complement output),  $(1 \times n)$  MHz sample frequency
- PWM output, 2-line,  $(22.05 \times n)$  kHz modulation frequency
- PWM output, 4-line,  $(22.05 \times n)$  kHz modulation frequency
- CDV motor mode.

#### 7.13.1.1 Pulse density output mode

In the pulse density mode the motor output pin (MOTO1) is the pulse density modulated motor output signal. A 50% duty factor corresponds with the motor not actuated, higher duty factors mean acceleration, lower mean braking. In this mode, the MOTO2 signal is the inverse of the MOTO1 signal. Both signals change state only on the edges of a  $(1 \times n)$  MHz internal clock signal. Possible application diagrams are illustrated in Fig.13.

#### 7.13.1.2 PWM output mode (2-line)

In the PWM mode the motor acceleration signal is put in pulse-width modulation form on the MOTO1 output. The motor braking signal is pulse-width modulated on the MOTO2 output. The timing is illustrated in Fig.14. A typical application diagram is illustrated in Fig.15.

Digital servo processor and Compact Disc decoder (CD7)

SAA7371

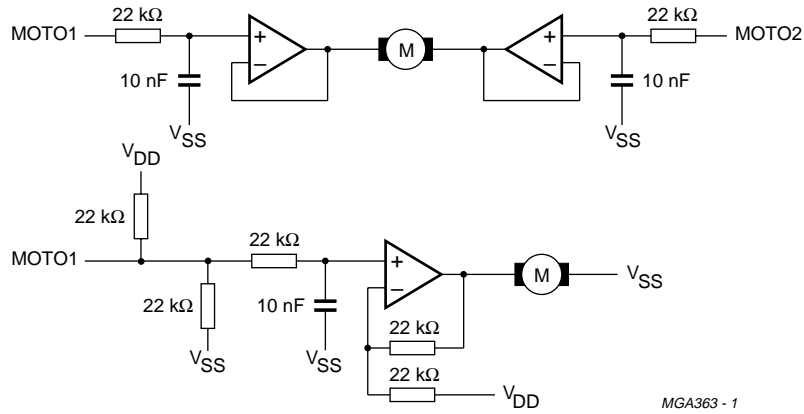


Fig.13 Motor pulse density application diagrams.

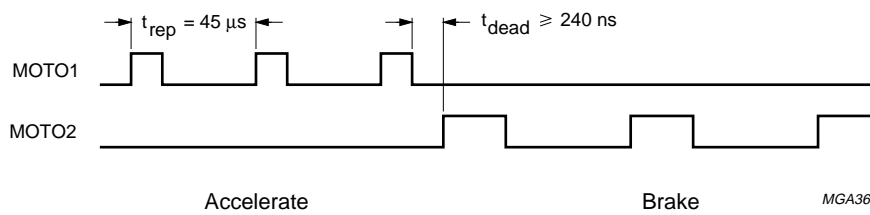


Fig.14 2-line PWM mode timing.

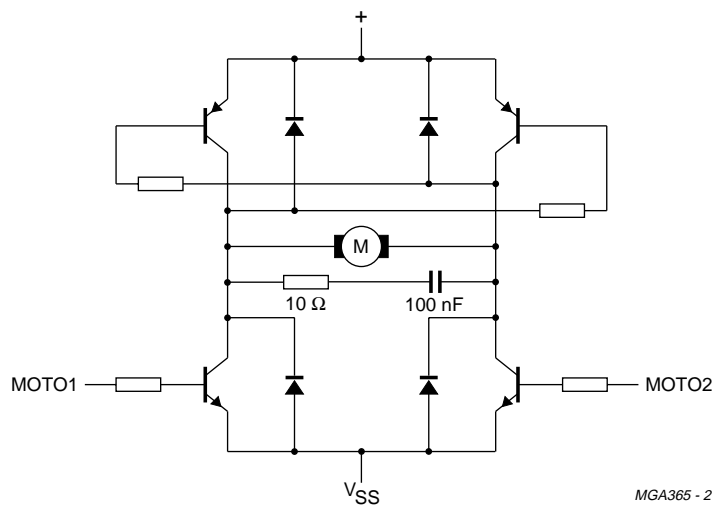


Fig.15 Motor 2-line PWM mode application diagram.

# Digital servo processor and Compact Disc decoder (CD7)

## SAA7371

### 7.13.1.3 PWM output mode (4-line)

Using two extra outputs from the versatile pins Interface, it is possible to use the SAA7371 with a 4-input motor bridge. The timing is illustrated in Fig.16. A typical application diagram is illustrated in Fig.17.

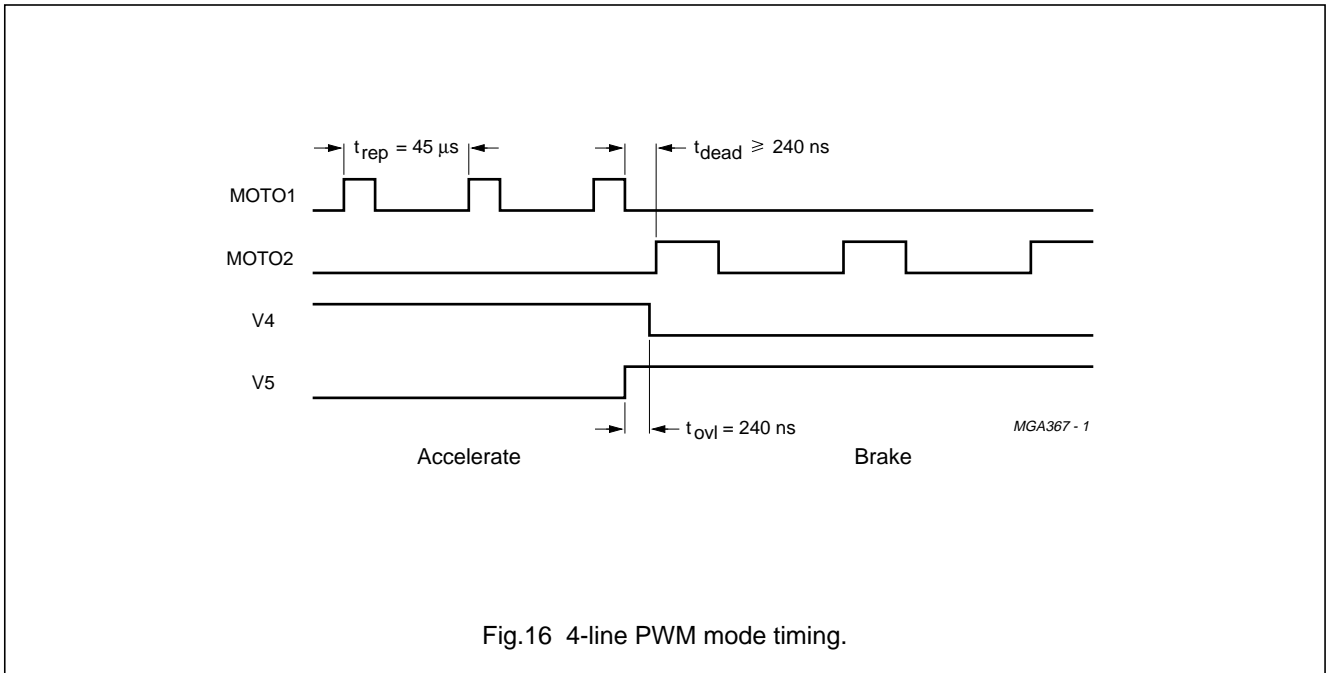


Fig.16 4-line PWM mode timing.

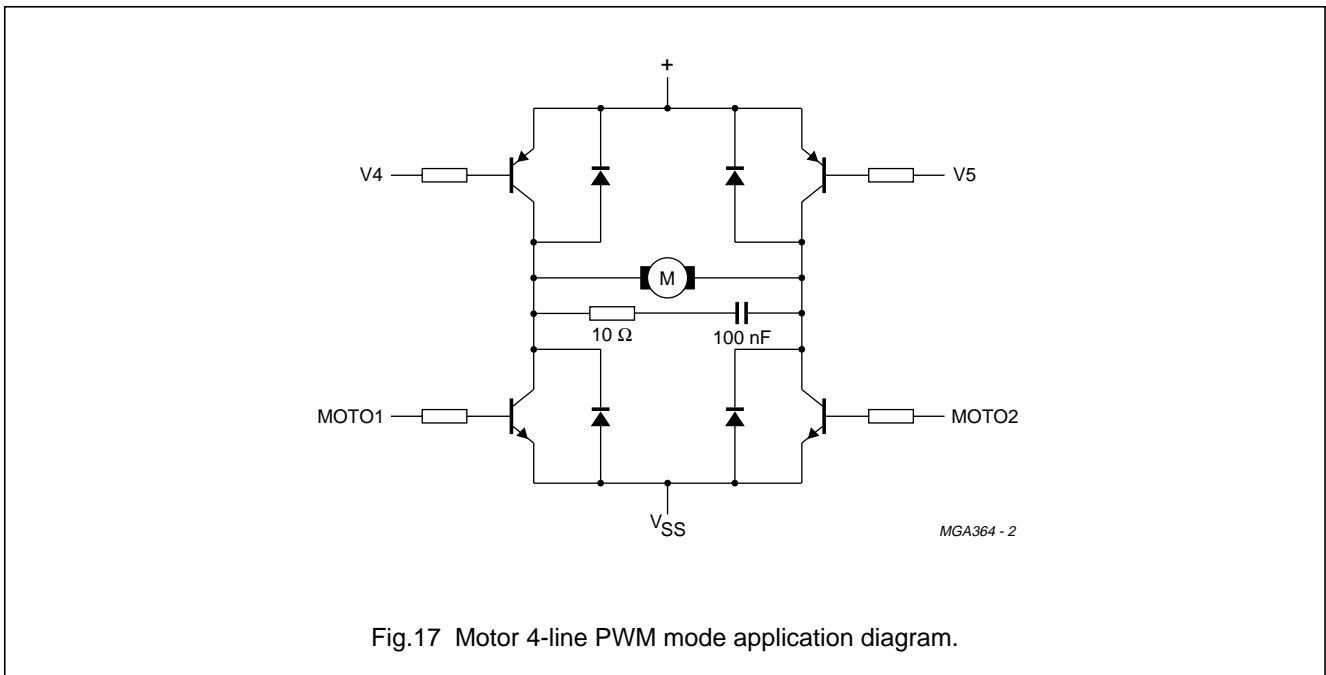


Fig.17 Motor 4-line PWM mode application diagram.

## Digital servo processor and Compact Disc decoder (CD7)

SAA7371

### 7.13.1.4 CDV/CAV output mode

In the CDV motor mode, the FIFO position will be put in pulse-width modulated form on the MOTO1 pin [carrier frequency ( $300 \times d$ ) Hz], where 'd' is the disc speed factor. The PLL frequency signal will be put in pulse-density modulated form (carrier frequency  $4.23 \times n$  MHz) on the MOTO2 pin. The integrated motor servo is disabled in this mode.

The PWM signal on MOTO1 corresponds to a total memory space of 20 frames, therefore the nominal FIFO position (half full) will result in a PWM output of 60%.

In the lock to-disc (CAV) mode the CDV motor mode is the only mode that can be used to control the motor.

### 7.13.2 SPINDLE MOTOR OPERATING MODES

The operation modes of the motor servo is controlled by register 1 (see Table 9).

In the SAA7371 decoder there is an anti-windup mode for the motor servo, selected via register 1. When the anti-wind-up mode is activated the motor servo integrator will hold if the motor output saturates.

**Table 9** Operating modes

MODE	DESCRIPTION
Start mode 1	The disc is accelerated by applying a positive voltage to the spindle motor. No decisions are involved and the PLL is reset. No disc speed information is available for the microcontroller.
Start mode 2	The disc is accelerated as in start mode 1, however the PLL will monitor the disc speed. When the disc reaches 75% of its nominal speed, the controller will switch to jump mode. The motor status signals selectable via register 2 are valid.
Jump mode	Motor servo enabled but FIFO kept reset at 50%, integrator is held. The audio is muted but it is possible to read the subcode. It should be noted that in the CD ROM modes the data, on EBU and the I <sup>2</sup> S-bus is not muted.
Jump mode 1	Similar to jump mode but motor integrator is kept at zero. Used for long jumps where there is a large change in disc speed.
Play mode	FIFO released after resetting to 50%. Audio mute released.
Stop mode 1	Disc is braked by applying a negative voltage to the motor. No decisions are involved.
Stop mode 2	The disc is braked as in stop mode 1 but the PLL will monitor the disc speed. As soon as the disc reaches 12% (or 6%, depending on the programmed brake percentage, via register E) of its nominal speed, the MOTSTOP status signal will go HIGH and switch the motor servo to Off mode.
Off mode	Motor not steered.

### 7.13.2.1 Power limit

In start mode 1, start mode 2, stop mode 1 and stop mode 2, a fixed positive or negative voltage is applied to the motor. This voltage can be programmed as a percentage of the maximum possible voltage, via register 6, to limit current drain during start and stop. The following power limits are possible;

100% (no power limit), 75%, 50%, or 37% of maximum.

### 7.13.3 LOOP CHARACTERISTICS

The gain and crossover frequencies of the motor control loop can be programmed via registers 4 and 5. The following parameter values are possible;

Gains: 3.2, 4.0, 6.4, 8.0, 12.8, 16, 25.6 and 32

Crossover frequency  $f_4$ :  $0.5 \times n$  Hz,  $0.7 \times n$  Hz,  $1.4 \times n$  Hz,  $2.8 \times n$  Hz

Crossover frequency  $f_3$ :  $0.85 \times n$  Hz,  $1.71 \times n$  Hz,  $3.42 \times n$  Hz

It should be noted that the crossover frequencies  $f_3$  and  $f_4$  are scaled with the overspeed factor 'n' whereas the gains are not.

### 7.13.4 FIFO OVERFLOW

If FIFO overflow occurs during Play mode (e.g.: as a result of motor rotational shock), the FIFO will be automatically reset to 50% and the audio interpolator tries to conceal as much as possible to minimise the effect of data loss.

Digital servo processor and Compact Disc decoder (CD7)

SAA7371

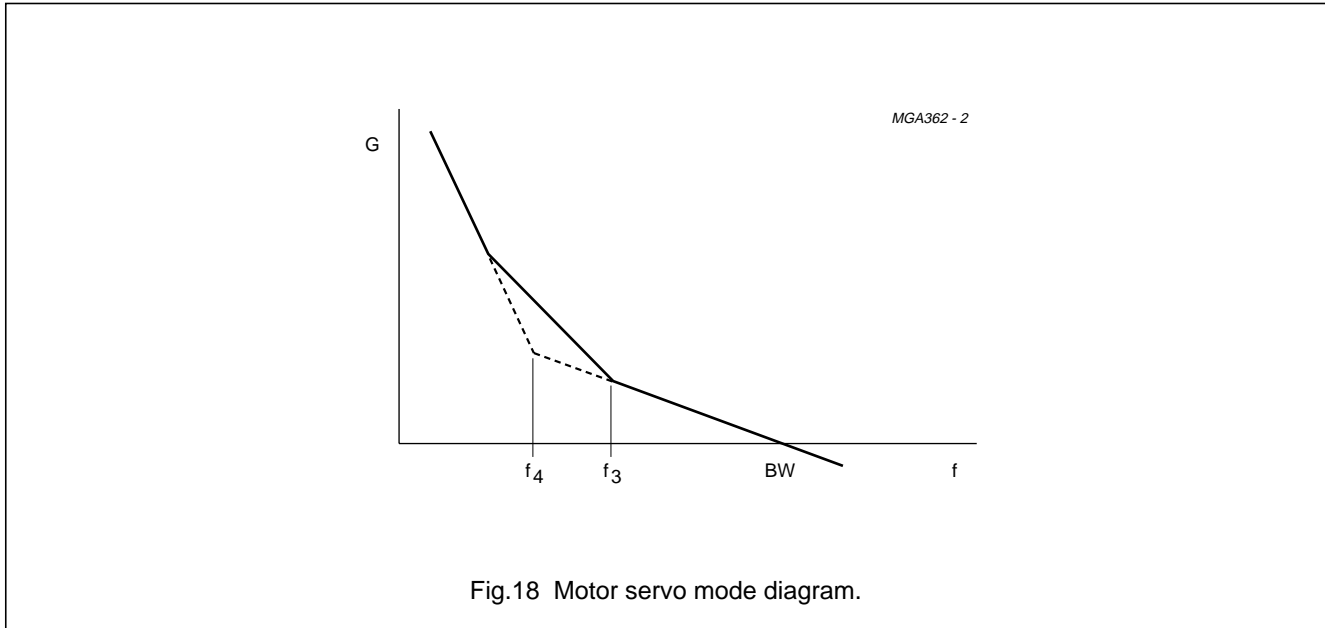


Fig.18 Motor servo mode diagram.

7.14 Servo part

7.14.1 DIODE SIGNAL PROCESSING

The photo detector in conventional two-stage three-beam compact disc systems normally contains six discrete diodes. Four of these diodes (three for single focault systems) carry the central aperture signal (CA) while the other two diodes (satellite diodes) carry the radial tracking information. The CA signal is processed into an HF signal (for the decoder function) and LF signal (information for the focus servo loop) before it is supplied to the SAA7371.

The analog signals from the central and satellite diodes are converted into a digital representation using analog-to-digital converters (ADCs). The ADCs are designed to convert unipolar currents into a digital code. The dynamic range of the input currents is adjustable within a given range, which is dependent on the value of external resistor connected to pin I<sub>refT</sub>. The maximum current for the central diodes and satellite diodes is given in the following formulae;

$$I_{in(max, central)} = \left( \frac{2.4 \times 10^{-6}}{R_{IrefT}} \right) \mu A$$

$$I_{in(max, satellite)} = \left( \frac{1.2 \times 10^{-6}}{R_{IrefT}} \right) \mu A$$

The V<sub>RH</sub> voltage is internally generated by control circuitry which ensures that the V<sub>RH</sub> voltage is adjusted depending on the spread of internal capacitors, using the reference

current generated by the external resistor on I<sub>refT</sub>. In the application V<sub>RL</sub> is connected to V<sub>SSA1</sub>. The maximum input currents for a range of resistors is given Table 10.

Table 10 Maximum current input

R <sub>IrefT</sub> (kΩ)	DIODE INPUT CURRENT RANGE	
	D1 to D4 (μA)	R1 and R2 (μA)
220	10.909	5.455
240	10.000	5.000
270	8.889	4.444
300	8.000	4.000
330	7.273	3.636
360	6.667	3.333
390	6.154	3.077
430	5.581	2.791
470	5.106	2.553
510	4.706	2.353
560	4.286	2.143
620	3.871	1.935

This mode of V<sub>RH</sub> automatic adjustment can be selected by the preset latch command.

Alternatively, the dynamic range of the input currents can be made dependent on the ADC reference voltages V<sub>RL</sub> and V<sub>RH</sub>. The maximum current for the central diodes and satellite diodes is given in the following formulae;



# Digital servo processor and Compact Disc decoder (CD7)

SAA7371

$$I_{in(max,central)} = f_{sys} \times (V_{RH} - V_{RL}) \times 1.0 \times 10^{-6} \mu A$$

$$I_{in(max,satellite)} = f_{sys} \times (V_{RH} - V_{RL}) \times 0.5 \times 10^{-6} \mu A$$

where  $f_{sys} = 4.2336$  MHz.

$V_{RH}$  is generated internally, and there are 32 levels which can be selected under software control via the preset latch command. With this command the  $V_{RH}$  voltage can be set to 2.5 V then modified, decremented one level or incremented, by resending the command the required number of times. In the application  $V_{RL}$  is connected to  $V_{SSA1}$ .

### 7.14.2 SIGNAL CONDITIONING

The digital codes retrieved from the ADCs are applied to logic circuitry to obtain the various control signals. The signals from the central aperture diodes are processed to obtain a normalised focus error signal.

$$FE_n = \frac{D1 - D2}{D1 + D2} - \frac{D3 - D4}{D3 + D4}$$

where the detector set-up is assumed as shown in Fig.19.

In the event of single Foucault focusing method, the signal conditioning can be switched under software control such that the signal processing is as follows:

$$FE_n = 2 \times \frac{D1 - D2}{D1 + D2}$$

The error signal,  $FE_n$ , is further processed by a proportional integral and differential (PID) filter section.

A Focus OK (FOK) flag is generated by means of the central aperture signal and an adjustable reference level. This signal is used to provide extra protection for the track-loss (TL) generation, the focus start-up procedure and the drop out detection.

The radial or tracking error signal is generated by the satellite detector signals R1 and R2. The radial error signal can be formulated as follows:

$$RE_s = (R1 - R2) \times re\_gain + (R1 - R2) \times re\_offset$$

where the index 's' indicates the automatic scaling operation which is performed on the radial error signal. This scaling is necessary to avoid non-optimal dynamic range usage in the digital representation and reduces the radial bandwidth spread. Furthermore, the radial error signal will be made free from offset during start up of the disc.

The four signals from the central aperture detectors, together with the satellite detector signals generate a track position signal (TPI) which can be formulated as follows:

$$TPI = sign [(D1 + D2 + D3 + D4) - (R1 + R2) \times sum\_gain]$$

where the weighting factor  $sum\_gain$  is generated internally by the SAA7371 during initialization.

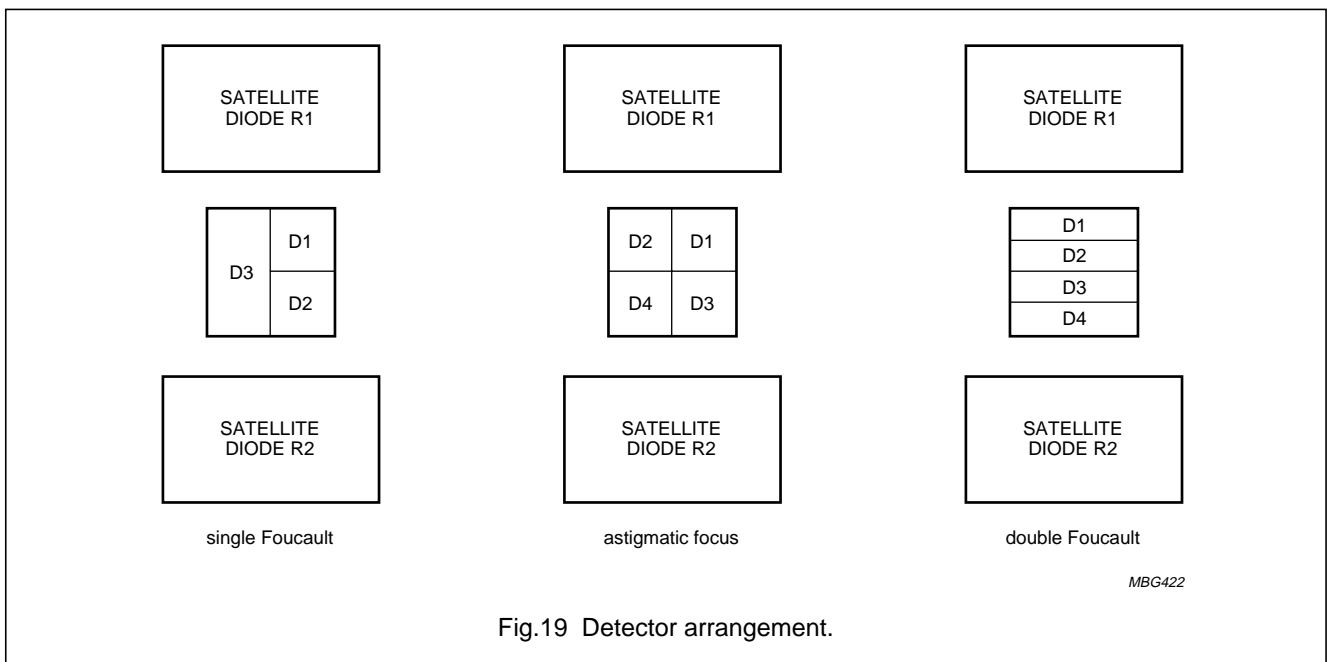


Fig.19 Detector arrangement.

## Digital servo processor and Compact Disc decoder (CD7)

SAA7371

### 7.14.3 FOCUS SERVO SYSTEM

#### 7.14.3.1 Focus start-up

Five initially loaded coefficients influence the start-up behaviour of the focus controller. The automatically generated triangle voltage can be influenced by 3 parameters; for height (ramp\_height) and DC offset (ramp\_offset) of the triangle and its steepness (ramp\_incr).

For protection against false focus point detections two parameters are available which are an absolute level on the CA-signal (CA\_start) and a level on the FE<sub>n</sub> signal (FE\_start). When this CA level is reached the FOK signal becomes true.

If the FOK signal is true and the level on the FE<sub>n</sub> signal is reached, the focus PID is enabled to switch on when the next zero crossing is detected in the FE<sub>n</sub> signal.

#### 7.14.3.2 Focus position control loop

The focus control loop contains a digital PID controller which has 5 parameters which are available to the user. These coefficients influence the integrating (foc\_int), proportional (foc\_lead\_length, part of foc\_parm3) and differentiating (foc\_pole\_lead, part of foc\_parm1) action of the PID and a digital low-pass filter (foc\_pole\_noise, part of foc\_parm2) following the PID. The fifth coefficient foc\_gain influences the loop gain.

#### 7.14.3.3 Drop-out detection

This detector can be influenced by one parameter (CA\_drop). The FOK signal will become false and the integrator of the PID will hold if the CA signal drops below this programmable absolute CA level. When the FOK signal becomes false it is assumed, initially, to be caused by a black dot.

#### 7.14.3.4 Focus loss detection and fast restart

Whenever FOK is false for longer than approximately 3 ms, it is assumed that the focus point is lost. A fast restart procedure is initiated which is capable of restarting the focus loop within 200 to 300 ms depending on the programmed coefficients of the microcontroller.

#### 7.14.3.5 Focus loop gain switching

The gain of the focus control loop (foc\_gain) can be multiplied by a factor of 2 or divided by a factor of 2 during normal operation. The integrator value of the PID is corrected accordingly. The differentiating (foc\_pole\_lead)

action of the PID can be switched at the same time as the gain switching is performed.

#### 7.14.3.6 Focus automatic gain control loop

The loop gain of the focus control loop can be corrected automatically to eliminate tolerances in the focus loop. This gain control injects a signal into the loop which is used to correct the loop gain. Since this decreases the optimum performance, the gain control should only be activated for a short time (for example, when starting a new disc).

### 7.14.4 RADIAL SERVO SYSTEM

#### 7.14.4.1 Level initialization

During start-up an automatic adjustment procedure is activated to set the values of the radial error gain (re\_gain), offset (re\_offset) and satellite sum gain (sum\_gain) for TPI level generation. The initialization procedure runs in a radial open loop situation and is  $\leq 300$  ms. This start-up time period may coincide with the last part of the motor start-up time period.

Automatic gain adjustment: as a result of this initialization the amplitude of the RE signal is adjusted to within  $\pm 10\%$  around the nominal RE amplitude.

Offset adjustment: the additional offset in RE due to the limited accuracy of the start-up procedure is less than  $\pm 50$  nm.

TPI level generation: the accuracy of the initialization procedure is such that the duty factor range of TPI becomes  $0.4 < \text{duty factor} < 0.6$  (definition of duty factor = TPI HIGH/TPI period).

#### 7.14.4.2 Sledge control

The microcontroller can move the sledge in both directions via the steer sledge command.

#### 7.14.4.3 Tracking control

The actuator is controlled using a PID loop filter with user defined coefficients and gain. For stable operation between the tracks, the S-curve is extended over  $\pm 0.75$  of the track. On request from the microcontroller, S-curve extension over  $\pm 2.25$  tracks is used, automatically changing to access control when exceeding those 2.25 tracks.

Both modes of S-curve extension make use of a track-count mechanism. In this mode, track counting results in an 'automatic return-to-zero track', to avoid major music rhythm disturbances in the audio output for improved shock resistance.

# Digital servo processor and Compact Disc decoder (CD7)

SAA7371

The sledge is continuously controlled, or provided with step pulses to reduce power consumption using the filtered value of the radial PID output. Alternatively, the microcontroller can read the average voltage on the radial actuator and provide the sledge with step pulses to reduce power consumption. Filter coefficients of the continuous sledge control can be preset by the user.

### 7.14.4.4 Access

The access procedure is divided into two different modes (see Table 11), depending on the requested jump size.

**Table 11** Access modes

ACCESS TYPE	JUMP SIZE <sup>(1)</sup>	ACCESS SPEED
Actuator jump	1 - brake_distance	decreasing velocity
Sledge jump	brake_distance - 32768	maximum power to sledge <sup>(1)</sup>

**Note**

1. Microcontroller presettable.

The access procedure makes use of a track counting mechanism, a velocity signal based on a fixed number of tracks passed within a fixed time interval, a velocity setpoint calculated from the number of tracks to go and a user programmable parameter indicating the maximum sledge performance.

If the number of tracks remaining is greater than the brake\_distance then the sledge jump mode should be activated or, the actuator jump should be performed. The requested jump size together with the required sledge breaking distance at maximum access speed defines the brake\_distance value.

During the actuator jump mode, velocity control with a PI controller is used for the actuator. The sledge is then continuously controlled using the filtered value of the radial PID output. All filter parameters (for actuator and sledge) are user programmable.

In the sledge jump mode maximum power (user programmable) is applied to the sledge in the correct direction while the actuator becomes idle (the contents of the actuator integrator leaks to zero just after the sledge jump mode is initiated). The actuator can be electronically damped during sledge jump. The gain of the damping loop is controlled via the hold\_mult parameter.

Fast track jumping circuitry can be enabled/disabled via the xtra\_preset parameter.

### 7.14.4.5 Radial automatic gain control loop

The loop gain of the radial control loop can be corrected automatically to eliminate tolerances in the radial loop. This gain control injects a signal into the loop which is used to correct the loop gain. Since this decreases the optimum performance, the gain control should only be activated for a short time (for example, when starting a new disc).

This gain control differs from the level initialization. The level initialization should be performed first. The disadvantage of using the level initialization without the gain control is that only tolerances from the front-end are reduced.

### 7.14.5 OFF-TRACK COUNTING

The track position signal (TPI) is a flag which is used to indicate whether the radial spot is positioned on the track, with a margin of  $\pm 1/4$  of the track-pitch. In combination with the radial polarity flag (RP) the relative spot position over the tracks can be determined. These signals are, however, afflicted with some uncertainties caused by;

- Disc defects such as scratches and fingerprints
- The HF information on the disc, which is considered as noise by the detector signals.

In order to determine the spot position with sufficient accuracy, extra conditions are necessary to generate a track loss signal (TL) as well as an off-track counter value. These extra conditions influence the maximum speed and this implies that, internally, one of the following three counting states is selected;

1. Protected state: used in normal play situations. A good protection against false detection caused by disc defects is important in this state.
2. Slow counting state: used in low velocity track jump situations. In this state a fast response is important rather than the protection against disc defects (if the phase relationship between TL and RP of  $1/2\pi$  radians is affected too much, the direction cannot be determined accurately any more).
3. Fast counting state: used in high velocity track jump situations. Highest obtainable velocity is the most important feature in this state.

## Digital servo processor and Compact Disc decoder (CD7)

SAA7371

### 7.14.6 DEFECT DETECTION

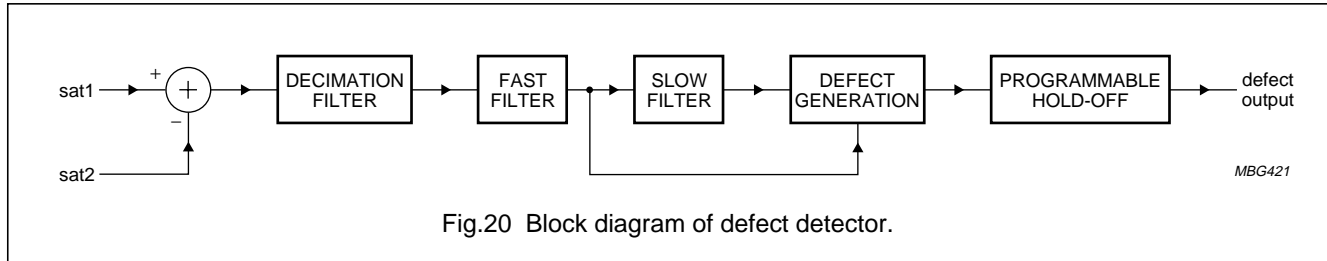


Fig.20 Block diagram of defect detector.

A defect detection circuit is incorporated into the SAA7371. If a defect is detected, the radial and focus error signals may be zeroed, resulting in better playability. The defect detector can be switched off, applied only to focus control or applied to both focus and radial controls under software control (part of `foc_parm1`).

The defect detector (see Fig.20) has programmable set points selectable by the parameter `defect_parm`.

### 7.14.7 OFF-TRACK DETECTION

During active radial tracking, off-track detection has been realised by continuously monitoring the off-track counter value. The off-track flag becomes valid whenever the off-track counter value is not equal to zero. Depending on the type of extended S-curve, the off-track counter is reset after 0.75 extend or at the original track in the 2.25 track extend mode.

### 7.14.8 HI-LEVEL FEATURES

#### 7.14.8.1 Interrupt mechanism and STATUS pin

The STATUS pin is an output which is active LOW, its output is selected by register 7 to be either the status bit (active LOW) selected by register 2 (only available in 4-wire bus mode) or the interrupt signal generated by the servo part.

8 signals from the interrupt status register are selectable from the servo part via the `interrupt_mask` parameter. The interrupt is reset by sending the read hi-level status command. The 8 signals are as follows;

1. Focus lost: drop out of longer than 3 ms.
2. Subcode ready.
3. Subcode absolute seconds changed.
4. Subcode discontinuity detected: new subcode time before previous subcode time, or more than 10 frames later than previous subcode time.
5. Radial error: during radial on-track, no new subcode frame occurs within time defined by `playwatchtime` parameter. During radial jump, less than 4 tracks have

been crossed during time defined by `jumpwatchtime` parameter.

6. Autosequencer state change.
7. Autosequencer error.
8. Subcode interface blocked: the internal decoder interface is being used.

It should be noted that if the STATUS pin output is selected via register 2 and either the microcontroller writes a different value to register 2 or the decoder interface is enabled then the STATUS output will change.

#### 7.14.8.2 Decoder interface

The decoder interface allows registers 0 to F to be programmed and subcode Q-channel data to be read via servo commands. The interface is enabled/disabled by the preset latch command (and the `xtra_preset` parameter).

#### 7.14.8.3 Automatic error handling

Three watchdogs are present:

1. Focus: detects focus drop out of longer than 3 ms, sets focus lost interrupt, switches off radial and sledge servos, disables drive to disc motor.
2. Radial play: started when radial servo is on-track mode and a first subcode frame is found. Detects when maximum time between two subcode frames exceeds time set by `playwatchtime` parameter; then sets radial error interrupt, switches radial and sledge servos off, puts disc motor in jump mode.
3. Radial jump: active when radial servo in long jump or short jump modes. Detects when the off-track counter value decreases by less than 4 tracks between two readings (time interval set by `jumpwatchtime` parameter); then sets radial jump error, switches radial and sledge servos off to cancel jump.

The focus watchdog is always active, the radial watchdogs are selectable via the `radcontrol` parameter.

## Digital servo processor and Compact Disc decoder (CD7)

SAA7371

### 7.14.8.4 Automatic sequencers and timer interrupts

Two automatic sequencers are implemented (and must be initialized after power-on);

1. Autostart sequencer: controls the start-up of focus, radial and motor.
2. Autostop sequencer: brakes the disc and shuts down servos.

When the automatic sequencers are not used it is possible to generate timer interrupts, defined by the `time_parameter` coefficient.

### 7.14.8.5 Hi-level status

The read hi-level status command can be used to obtain the interrupt, decoder, autosequencer status registers and the motor start time. Use of the read high-level status command clears the interrupt status register, and re-enables the subcode read via a servo command.

### 7.14.9 DRIVER INTERFACE

The control signals (pins RA, FO and SL) for the mechanism actuators are pulse density modulated. The modulating frequency can be set to either 1.0584 MHz (DSD mode) or 2.1168 MHz; controlled via the `xtra_preset` parameter. An analog representation of the output signals can be achieved by connecting a first-order low-pass filter to the outputs.

During reset (i.e. RESET pin is held LOW) the RA, FO and SL pins are high-impedance.

### 7.14.10 LASER INTERFACE

The LDON pin (open-drain output) is used to switch the laser off and on. When the laser is on the output is high-impedance. The action of the LDON pin is controlled by the `xtra_preset` parameter; the pin is automatically driven if the focus control loop is active.

### 7.14.11 RADIAL SHOCK DETECTOR

The shock detector (see Fig.21) can be switched on during normal track following, and detects within an adjustable frequency whether disturbances in the radial spot position relative to the track exceed an adjustable level (controlled by `shock_level`). Every time the radial tracking error (RE) exceeds this level the radial control bandwidth is switched to twice its original bandwidth and the loop gain is increased by a factor of 4.

The shock detection level is adjustable in 16 steps from 0 to 100% of the traverse radial amplitude which is sent to an amplitude detection unit via an adjustable band-pass filter (controlled by `sledge_parm1`); lower corner frequency can be set at either 0 or 20 Hz, and upper corner frequency at 750 or 1850 Hz. The shock detector is switched off automatically during jump mode.



Fig.21 Block diagram of radial shock detector.

## Digital servo processor and Compact Disc decoder (CD7)

SAA7371

### 7.15 Microcontroller interface

Communication on the microcontroller interface can be set-up in two different modes;

1. 4-wire bus mode: protocol compatible with SAA7345 (CD6) and TDA1301 (DSIC2) where;
  - a) SCL = serial bit clock.
  - b) SDA = serial data.
  - c) RAB = R/W control and data strobe (active HIGH) for writing to registers 0 to F, reading status bit selected via register 2 and reading Q-channel subcode.
  - d) SILD = R/W control and data strobe (active LOW) for servo commands.
2. I<sup>2</sup>C-bus mode: I<sup>2</sup>C-bus protocol where SAA7371 behaves as slave device, activated by setting RAB = HIGH and SILD = LOW where;
  - a) I<sup>2</sup>C-bus slave address (write mode) = 30H.
  - b) I<sup>2</sup>C-bus slave address (read mode) = 31H.
  - c) Maximum data transfer rate = 400 kbits/s.

It should be noted that only servo commands can be used therefore, writing to registers 0 to F, reading decoder status and reading Q-channel subcode data must be performed by servo commands.

#### 7.15.1 MICROCONTROLLER INTERFACE (4-WIRE BUS MODE)

##### 7.15.1.1 Writing data to registers 0 to F

The sixteen 4-bit programmable configuration registers, 0 to F (see Table 12), can be written to via the microcontroller interface using the protocol shown in Fig.22.

It should be noted that SILD must be held HIGH; A3 to A0 identifies the register number and D3 to D0 is the data; the data is latched into the register on the LOW-to-HIGH transition of RAB.

##### 7.15.1.2 Writing repeated data to registers 0 to F

The same data can be repeated several times (e.g. for a fade function) by applying extra RAB pulses as shown in Fig.23. It should be noted that SCL must stay HIGH between RAB pulses.

##### 7.15.1.3 Reading decoder status information on SDA

There are several internal status signals, selected via register 2, which can be made available on the SDA line:

SUBQREADY-I: LOW if new subcode word is ready in Q-channel register.

MOTSTART1: HIGH if motor is turning at 75% or more of nominal speed.

MOTSTART2: HIGH if motor is turning at 50% or more of nominal speed.

MOTSTOP: HIGH if motor is turning at 12% or less of nominal speed. Can be set to indicate 6% or less (instead of 12% or less) via register E.

PLL Lock: HIGH if sync coincidence signals are found.

V1: follows input on V1 pin.

V2: follows input on V2 pin.

MOTOR-OV: HIGH if the motor servo output stage saturates.

FIFO-OV: HIGH if FIFO overflows.

SHOCK:  $\overline{\text{MOTSTART2}} + \overline{\text{PLL Lock}} + \text{MOTOR-OV} + \text{FIFO-OV} + \text{servo interrupt signal} + \text{OTD}$  (HIGH if shock detected).

LA-SHOCK: latched SHOCK signal.

The status read protocol is shown in Fig.24. It should be noted that SILD must be held HIGH.

##### 7.15.1.4 Reading Q-channel subcode

To read the Q-channel subcode direct in the 4-wire bus mode, the SUBQREADY-I signal should be selected as status signal. The subcode read protocol is illustrated in Fig.25.

It should be noted that SILD must be held HIGH; after subcode read starts, the microcontroller may take as long as it wants to terminate the read operation; when enough subcode has been read (1 to 96 bits), terminate reading by pulling RAB LOW.

Alternatively, the Q-channel subcode can be read using a servo command as follows:

- Use the read hi-level status command to monitor the subcode ready signal.
- Send the read subcode command, and read the required number of bytes (up to 12).
- Send the read hi-level status command; to re-enable the decoder interface.

##### 7.15.1.5 Behaviour of the SUBQREADY-I signal

When the CRC of the Q-channel word is good, and no subcode is being read, the SUBQREADY-I status signal will react as shown in Fig.26. When the CRC is good and the subcode is being read, the timing in Fig.27 applies.

## Digital servo processor and Compact Disc decoder (CD7)

SAA7371

If  $t_1$  (SUBQREADY-I status low to end of subcode read) is below  $2.6/n$  ms, then  $t_2 = 13.1/n$  ms [i.e. the microcontroller can read all subcode frames if it completes the read operation within  $2.6/n$  ms after the subcode is ready]. If this criterion is not met, it is only possible to guarantee that  $t_3$  will be below  $26.2/n$  ms (approximately).

If subcode frames with failed CRCs are present, the  $t_2$  and  $t_3$  times will be increased by  $13.1/n$  ms for each defective subcode frame.

It should be noted that in the lock-to-disc mode 'n' is replaced by 'd', which is the disc speed factor.

### 7.15.1.6 Write servo commands

A write data command is used to transfer data (a number of bytes) from the microcontroller, using the protocol shown in Fig.28. The first of these bytes is the command byte and the following are data bytes; the number (between 1 and 7) depends on the command byte.

It should be noted that RAB must be held LOW; the command or data is interpreted by the SAA7371 after the HIGH-to-LOW transition of SILD; there must be a minimum time of 70  $\mu$ s between SILD pulses.

### 7.15.1.7 Writing repeated data in servo commands

The same data byte can be repeated by applying extra SILD pulses as illustrated in Fig.29. SCL must be HIGH between the SILD pulses.

### 7.15.1.8 Read servo commands

A read data command is used to transfer data (status information) to the microcontroller, using the protocol shown in Fig.30. The first byte written determines the type of command. After this byte a variable number of bytes can be read. It should be noted that RAB must be held LOW; after the end of the command byte (LOW-to-HIGH transition on SILD) there must be a delay of 70  $\mu$ s before reading data is started (i.e. the next HIGH-to-LOW transition on SILD). There must be a minimum time of 70  $\mu$ s between SILD pulses.

### 7.15.2 MICROCONTROLLER INTERFACE (I<sup>2</sup>C-BUS MODE)

Bytes are transferred over the interface in groups (i.e. servo commands) of which there are two types: write data commands and read data commands.

The sequence for a write data command (that requires 3 data bytes) is given below;

- Send START condition
- Send address 30H (write)
- Write command byte
- Write data byte 1
- Write data byte 2.
- Write data byte 3
- Send STOP condition.

It should be noted that more than one command can be sent in one write sequence.

The sequence for a read data command (that reads 2 data bytes) is given below;

- Send START condition
- Send address 30H (write)
- Write command byte
- Send STOP condition.
- Send START condition
- Send address 31H (read)
- Read data byte 1
- Read data byte 2
- Send STOP condition.

It should be noted that the timing constraints specified for the read and write servo commands must still be adhered to.

Digital servo processor and  
Compact Disc decoder (CD7)

SAA7371

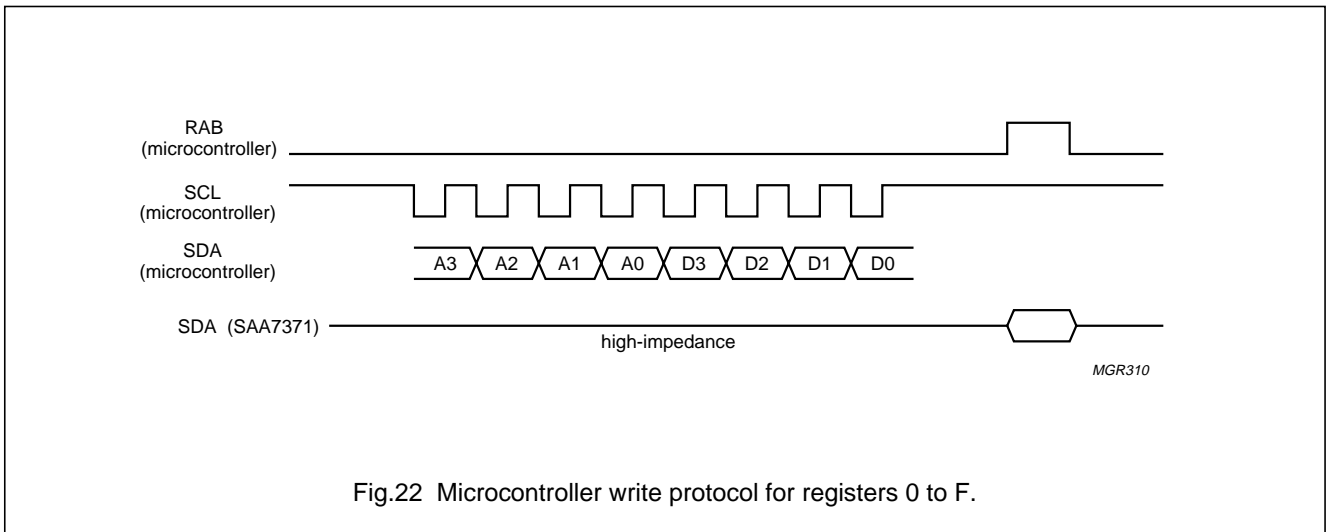


Fig.22 Microcontroller write protocol for registers 0 to F.

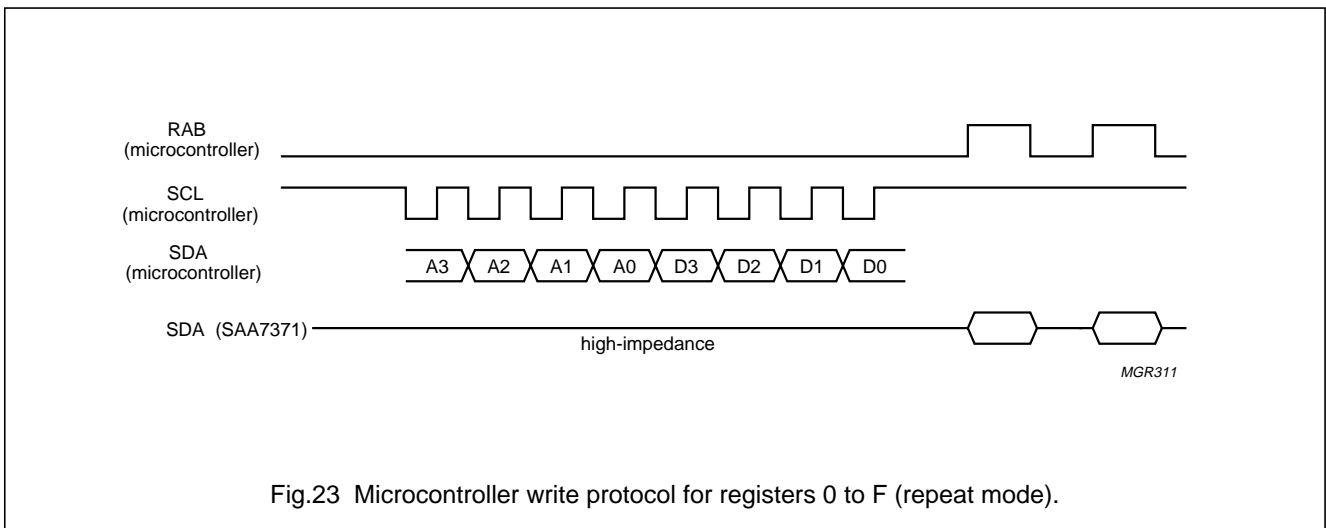


Fig.23 Microcontroller write protocol for registers 0 to F (repeat mode).

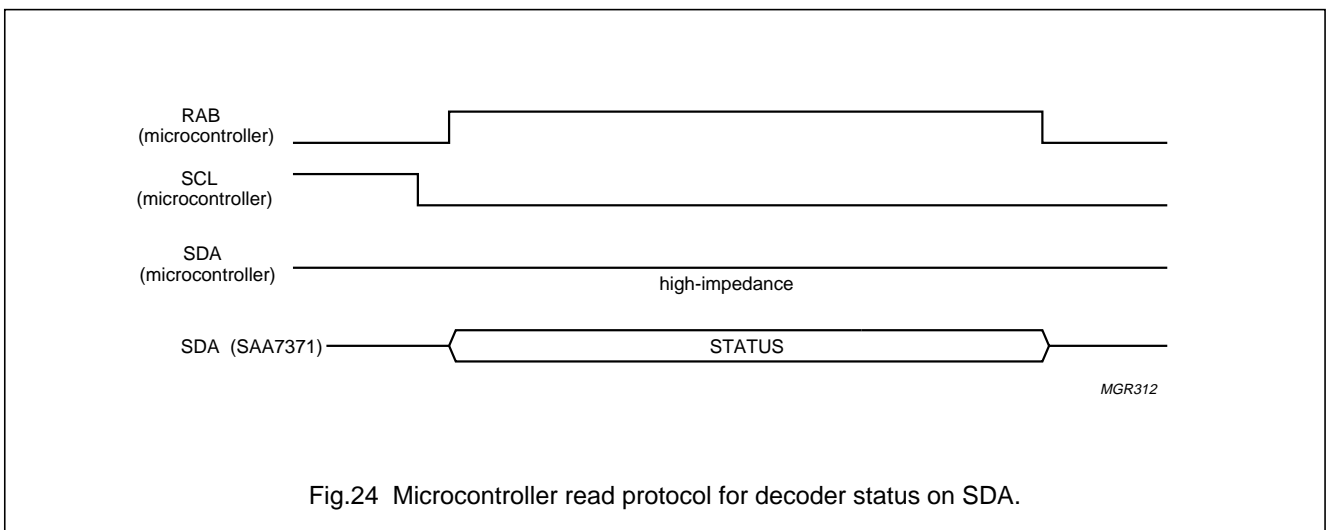


Fig.24 Microcontroller read protocol for decoder status on SDA.



Digital servo processor and  
Compact Disc decoder (CD7)

SAA7371

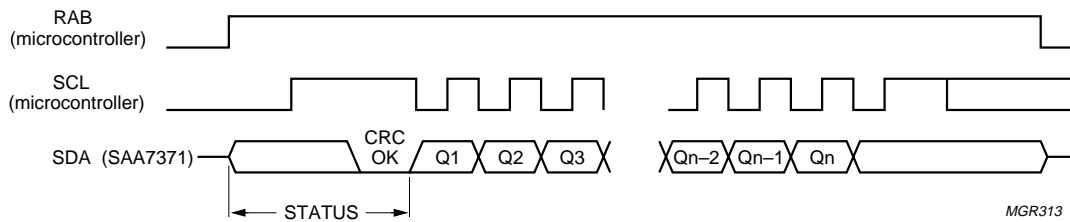


Fig.25 Microcontroller protocol for reading Q-channel subcode.

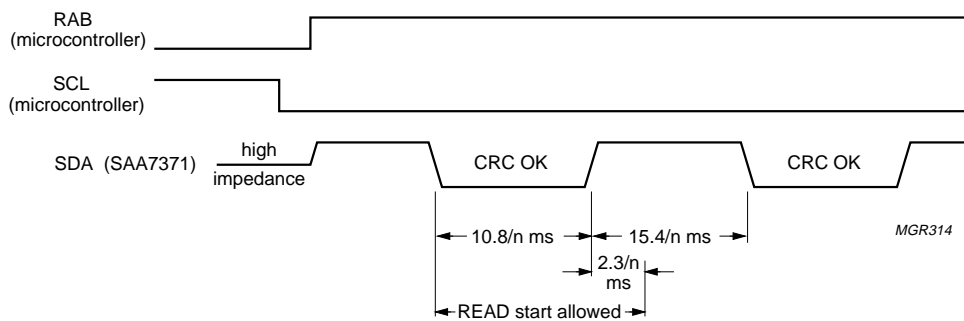
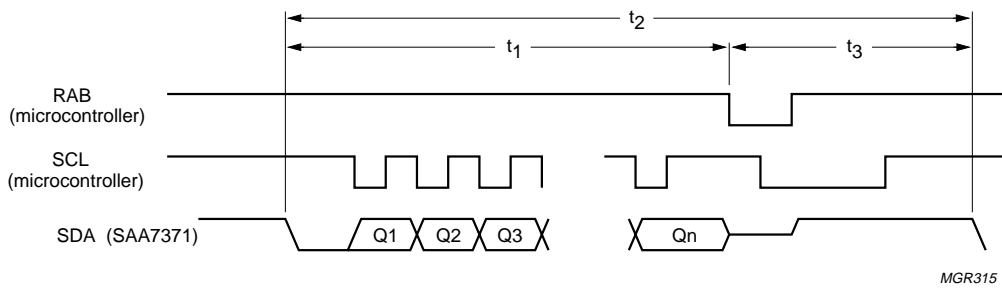


Fig.26 SUBQREADY-I status timing when no subcode is read.

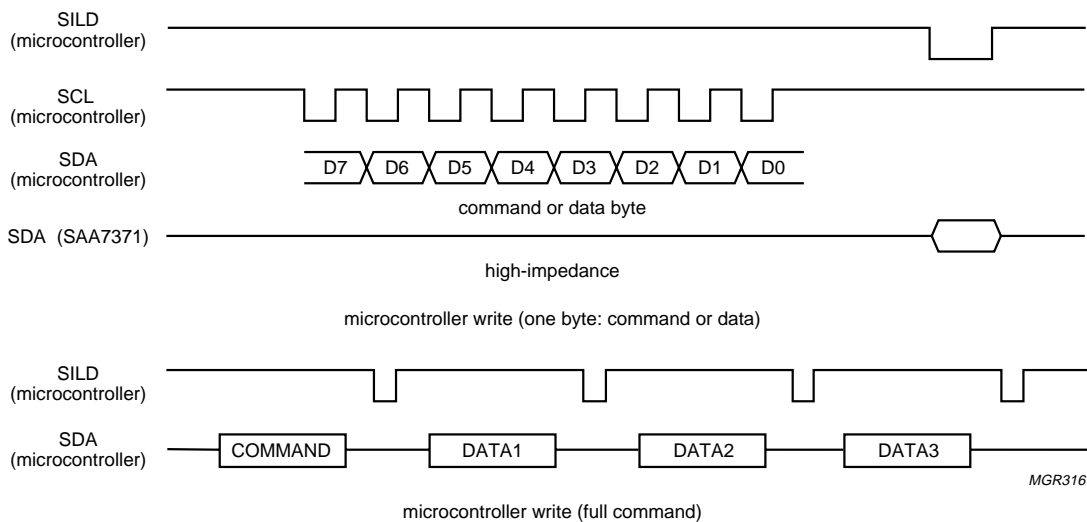
Digital servo processor and  
Compact Disc decoder (CD7)

SAA7371



MGR315

Fig.27 SUBQREADY-I status timing when subcode is read.



MGR316

Fig.28 Microcontroller protocol for write servo commands.

Digital servo processor and  
Compact Disc decoder (CD7)

SAA7371

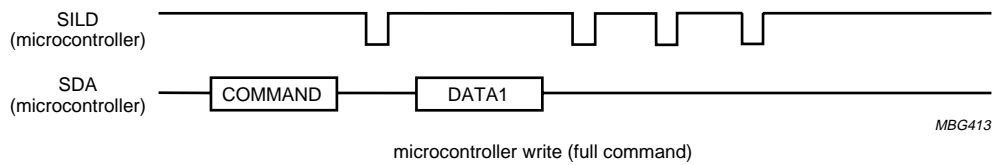


Fig.29 Microcontroller protocol for repeated data in write servo commands.

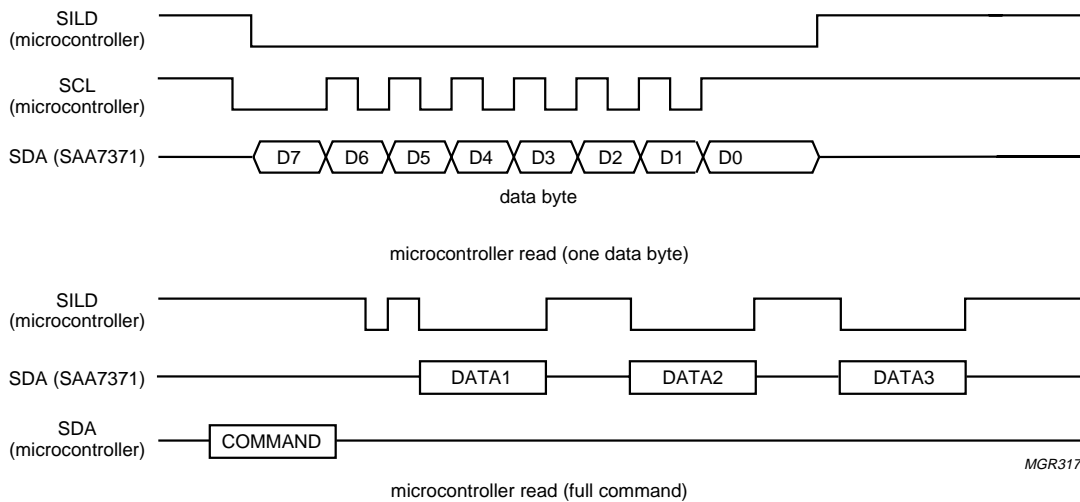


Fig.30 Microcontroller protocol for read servo commands.

## Digital servo processor and Compact Disc decoder (CD7)

SAA7371

### 7.15.3 SUMMARY OF FUNCTIONS CONTROLLED BY REGISTERS 0 TO F

**Table 12** Registers 0 to F

REGISTER	ADDRESS	DATE	FUNCTION	INITIAL <sup>(1)</sup>
0 (fade and attenuation)	0000	0000	mute	reset
		0010	attenuate	–
		0001	full scale	–
		0100	step down	–
		0101	step up	–
1 (motor mode)	0001	x000	motor off mode	reset
		x 001	motor stop mode 1	–
		x010	motor stop mode 2	–
		x011	motor start mode 1	–
		x100	motor start mode 2	–
		x101	motor jump mode	–
		x111	motor play mode	–
		x110	motor jump mode 1	–
		1xxx	anti-windup active	–
0xxx	anti-windup off	reset		
2 (status control)	0010	0000	status = SUBQREADY-I	reset
		0001	status = MOTSTART1	–
		0010	status = MOTSTART2	–
		0011	status = MOTSTOP	–
		0100	status = PLL Lock	–
		0101	status = V1	–
		0110	status = V2	–
		0111	status = MOTOR-OV	–
		1000	status = FIFO overflow	–
		1001	status = shock detect	–
		1010	status = latched shock detect	–
		1011	status = latched shock detect reset	–
3 (DAC output)	0011	1010	I <sup>2</sup> S-bus; CD-ROM mode	–
		1011	EIAJ; CD-ROM mode	–
		1100	I <sup>2</sup> S-bus; 18-bit; 4f <sub>s</sub> mode	reset
		1111	I <sup>2</sup> S-bus; 18-bit; 2f <sub>s</sub> mode	–
		1110	I <sup>2</sup> S-bus; 16-bit; f <sub>s</sub> mode	–
		0000	EIAJ; 16-bit; 4f <sub>s</sub>	–
		0011	EIAJ; 16-bit; 2f <sub>s</sub>	–
		0010	EIAJ; 16-bit; f <sub>s</sub>	–
		0100	EIAJ; 18-bit; 4f <sub>s</sub>	–
		0111	EIAJ; 18-bit; 2f <sub>s</sub>	–
0110	EIAJ; 18-bit; f <sub>s</sub>	–		

# Digital servo processor and Compact Disc decoder (CD7)

SAA7371

REGISTER	ADDRESS	DATE	FUNCTION	INITIAL <sup>(1)</sup>
4 (motor gain)	0100	x000	motor gain $G = 3.2$	reset
		x001	motor gain $G = 4.0$	–
		x010	motor gain $G = 6.4$	–
		x011	motor gain $G = 8.0$	–
		x100	motor gain $G = 12.8$	–
		x101	motor gain $G = 16.0$	–
		x110	motor gain $G = 25.6$	–
		x111	motor gain $G = 32.0$	–
		0xxx	disable comparator clock divider	reset
1xxx	enable comparator clock divider; only if SELPLL set HIGH	–		
5 (motor bandwidth)	0101	xx00	motor $f_4 = 0.5 \times n$ Hz	reset
		xx01	motor $f_4 = 0.7 \times n$ Hz	–
		xx10	motor $f_4 = 1.4 \times n$ Hz	–
		xx11	motor $f_4 = 2.8 \times n$ Hz	–
		00xx	motor $f_3 = 0.85 \times n$ Hz	reset
		01xx	motor $f_3 = 1.71 \times n$ Hz	–
		10xx	motor $f_3 = 3.42 \times n$ Hz	–
6 (motor output configuration)	0110	xx00	motor power maximum 37%	reset
		xx01	motor power maximum 50%	–
		xx10	motor power maximum 75%	–
		xx11	motor power maximum 100%	–
		00xx	MOTO1, MOTO2 pins 3-state	reset
		01xx	motor PWM mode	–
		10xx	motor PDM mode	–
		11xx	motor CDV mode	–
7 (DAC output and status control)	0111	xx00	interrupt signal from servo at STATUS pin	reset
		xx10	status bit from decoder status register at STATUS pin	–
		x0xx	DAC data normal value	reset
		x1xx	DAC data inverted value	–
		0xxx	left channel first at DAC (WCLK normal)	reset
		1xxx	right channel first at DAC (WCLK inverted)	–
8 (PLL loop filter bandwidth)			see Table 13	–
9 (PLL equalization)	1001	0011	PLL loop filter equalization	reset
		0001	PLL 30 ns over-equalization	–
		0010	PLL 15 ns over-equalization	–
		0100	PLL 15 ns under-equalization	–
		0101	PLL 30 ns under-equalization	–

# Digital servo processor and Compact Disc decoder (CD7)

SAA7371

REGISTER	ADDRESS	DATE	FUNCTION	INITIAL <sup>(1)</sup>
A (EBU output)	1010	xx0x	EBU data before concealment	–
		xx1x	EBU data after concealment and fade	reset
		x0x0	level II clock accuracy (<1000 ppm)	reset
		x0x1	level I clock accuracy (<50 ppm)	–
		x1x0	level III clock accuracy (>1000 ppm)	–
		x1x1	EBU off - output low	–
		0xxx	flags in EBU off	reset
		1xxx	flags in EBU on	–
B (speed control)	1011	x0xx	33.8688 MHz crystal present, or 8.4672 MHz crystal with SELPLL set HIGH	reset
		x1xx	16.9344 MHz crystal present	–
		0xxx	single-speed mode (if register E = 0xxx) four times speed mode (if register E = 1xxx)	reset
		1xxx	double-speed mode (if register E = 0xxx)	–
		xx00	standby 1: 'CD-STOP' mode	reset
		xx10	standby 2: 'CD-PAUSE' mode	–
		xx11	operating mode	–
C (versatile pins interface)	1100	xxx1	external off-track signal input at V1	–
		xxx0	internal off-track signal used (V1 may be read via status)	reset
		xx0x	kill-L at KILL output, kill-R at V3 output	–
		001x	V3 = 0; single KILL output	reset
		011x	V3 = 1; single KILL output	–
D (versatile pins interface)	1101	0000	4-line motor (using V4 and V5)	–
		xx01	Q-W subcode at V4	–
		xx10	V4 = 0	–
		xx11	V4 = 1	reset
		01xx	de-emphasis signal at V5, no internal de-emphasis filter	–
		10xx	V5 = 0	–
		11xx	V5 = 1	reset
E	1110	0xxx	bit controls operating speed mode, see register B	reset
		x0xx	audio features disabled	–
		x1xx	audio features enabled	reset
		xx0x	lock-to-disc mode disabled	reset
		xx1x	lock-to-disc mode enabled	–
		xxx0	motor brakes to 12%	reset
		xxx1	motor brakes to 6%	–

# Digital servo processor and Compact Disc decoder (CD7)

SAA7371

REGISTER	ADDRESS	DATA	FUNCTION	INITIAL <sup>(1)</sup>
F (subcode interface)	1111	x000	subcode interface off	reset
		x100	subcode interface on	–
		0xxx	4-wire subcode	reset
		1xxx	3-wire subcode	–

**Note**

1. The initial column shows the power-on reset state.

**Table 13** Loop filter bandwidth

REGISTER	ADDRESS	DATA	FUNCTION			INITIAL <sup>(1)</sup>
			LOOP BANDWIDTH (Hz)	INTERNAL BANDWIDTH (Hz)	LOW-PASS BANDWIDTH (Hz)	
8 (PLL loop filter bandwidth)	1000	0000	$1640 \times n$	$525 \times n$	$8400 \times n$	–
		0001	$3279 \times n$	$263 \times n$	$16800 \times n$	–
		0010	$6560 \times n$	$131 \times n$	$33600 \times n$	–
		0100	$1640 \times n$	$1050 \times n$	$8400 \times n$	–
		0101	$3279 \times n$	$525 \times n$	$16800 \times n$	–
		0110	$6560 \times n$	$263 \times n$	$33600 \times n$	–
		1000	$1640 \times n$	$2101 \times n$	$8400 \times n$	–
		1001	$3279 \times n$	$1050 \times n$	$16800 \times n$	reset
		1010	$6560 \times n$	$525 \times n$	$33600 \times n$	–
		1100	$1640 \times n$	$4200 \times n$	$8400 \times n$	–
		1101	$3279 \times n$	$2101 \times n$	$16800 \times n$	–
		1110	$6560 \times n$	$1050 \times n$	$33600 \times n$	–

**Note**

1. The initial column shows the power-on reset state.

## Digital servo processor and Compact Disc decoder (CD7)

SAA7371

### 7.15.4 SUMMARY OF SERVO COMMANDS

A list of the servo commands are given in Table 14. It should be noted that these are not fully backwards compatible with DSIC2.

**Table 14** CD7 servo commands

COMMANDS	CODE	BYTES	PARAMETERS
<b>Write commands</b>			
Write_focus_coefs1	17H	7	<foc_parm3> <foc_int> <ramp_incr> <ramp_height> <ramp_offset> <FE_start> <foc_gain>
Write_focus_coefs2	27H	7	<defect_parm> <rad_parm_jump> <vel_parm2> <vel_parm1> <foc_parm1> <foc_parm2> <CA_drop>
Write_focus_command	33H	3	<foc_mask> <foc_stat> <shock_level>
Focus_gain_up	42H	2	<foc_gain> <foc_parm1>
Focus_gain_down	62H	2	<foc_gain> <foc_parm1>
Write_radial_coefs	57H	7	<rad_length_lead> <rad_int> <rad_parm_play> <rad_pole_noise> <rad_gain> <sledge_parm2> <sledge_parm_1>
Preset_Latch	81H	1	<chip_init>
Radial_off	C1H	1	'1CH'
Radial_init	C1H	1	'3CH'
Short_jump	C3H	3	<tracks_hi> <tracks_lo> <rad_stat>
Long_jump	C5H	5	<brake_dist> <sledge_U_max> <tracks_hi> <tracks_lo> <rad_stat>
Steer_sledge	B1H	1	<sledge_level>
Preset_init	93H	3	<re_offset> <re_gain> <sum_gain>
Write_decoder_reg <sup>(1)</sup>	D1H	1	<decoder_reg_data>
Write_parameter	A2H	2	<param_ram_addr> <param_data>
<b>Read commands</b>			
Read_Q_subcode <sup>(1)(2)</sup>	0H	up to 12	<Q_sub1..10> <peak_l> <peak_r>
Read_status	70H	up to 5	<foc_stat> <rad_stat> <rad_int_lpf> <tracks_hi> <tracks_lo>
Read_hilevel_status <sup>(3)</sup>	E0H	up to 4	<intreq> <dec_stat> <seq_stat> <motor_start_time>
Read_aux_status	F0H	up to 3	<re_offset> <re_gain> <sum_gain>

#### Notes

1. These commands only available when internal decoder interface is enabled.
2. <peak\_l> and <peak\_r> bytes are clocked out LSB first.
3. Decoder status flag information in <dec\_stat> is only valid when the internal decoder interface is enabled.



## Digital servo processor and Compact Disc decoder (CD7)

SAA7371

### 7.15.5 SUMMARY OF SERVO COMMAND PARAMETERS

**Table 15** Servo command parameters

PARAMETER	RAM ADDRESS	AFFECTS	POR VALUE	DETERMINES
foc_parm_1	–	focus PID	–	end of focus lead defect detector enabling
foc_parm_2	–	focus PID	–	focus low-pass focus error normalising
foc_parm_3	–	focus PID	–	focus lead length minimum light level
foc_int	14H	focus PID	–	focus integrator crossover frequency
foc_gain	15H	focus PID	70H	focus PID loop gain
CA_drop	12H	focus PID	–	sensitivity of drop-out detector
ramp_offset	16H	focus ramp	–	asymmetry of focus ramp
ramp_height	18H	focus ramp	–	peak-to-peak value of ramp voltage
ramp_incr	–	focus ramp	–	slope of ramp voltage
FE_start	19H	focus ramp	–	minimum value of focus error
rad_parm_play	28H	radial PID	–	end of radial lead
rad_pole_noise	29H	radial PID	–	radial low-pass
rad_length_lead	1CH	radial PID	–	length of radial lead
rad_int	1EH	radial PID	–	radial integrator crossover frequency
rad_gain	2AH	radial PID	70H	radial loop gain
rad_parm_jump	27H	radial jump	–	filter during jump
vel_parm1	1FH	radial jump	–	PI controller crossover frequencies
vel_parm2	32H	radial jump	–	jump pre-defined profile
speed_threshold	48H	radial jump	–	maximum speed in fastrad mode
hold_mult	49H	radial jump	00H	electronic damping sledge bandwidth during jump
brake_dist_max	21H	radial jump	–	maximum sledge distance allowed in fast actuator steered mode
sledge_long_brake	58H	radial jump	7FH	brake distance of sledge
sledge_Umax	–	sledge	–	voltage on sledge during long jump
sledge_level	–	sledge	–	voltage on sledge when steered
sledge_parm_1	36H	sledge	–	sledge integrator crossover frequency
sledge_parm_2	17H	sledge	–	sledge low-pass frequencies sledge gain sledge operation mode
sledge_pulse1	46H	pulsed sledge	–	pulse width
sledge_pulse2	64H	pulsed sledge	–	pulse height
defect_parm	–	defect detector	–	defect detector setting
shock_level	–	shock detector	–	shock detector operation
playwatchtime	54H	watchdog	–	radial on-track watchdog time

# Digital servo processor and Compact Disc decoder (CD7)

SAA7371

PARAMETER	RAM ADDRESS	AFFECTS	POR VALUE	DETERMINES
jumpwatchtime	57H	watchdog	–	radial jump watchdog time-out
radcontrol	59H	watchdog	–	enable/disable automatic radial off feature
chip_init	–	set-up	–	V <sub>RH</sub> level setting enable/disable decoder interface
xtra_preset	4AH	set-up	38H	laser on/off RA, FO and SL PDM modulating frequency microcontroller communication to decoder part fast jumping circuit on/off
cd6cmd	4DH	decoder interface	–	decoder part commands
interrupt_mask	53H	STATUS pin	–	enabled interrupts
seq_control	42H	autosequencer	–	autosequencer control
focus_start_time	5EH	autosequencer	–	focus start time
motor_start_time1	5FH	autosequencer	–	motor start 1 time
motor_start_time2	60H	autosequencer	–	motor start 2 time
radial_init_time	61H	autosequencer	–	radial initialization time
brake_time	62H	autosequencer	–	brake time
RadCmdByte	63H	autosequencer	–	radial command byte
osc_inc	68H	focus/radial AGC	–	AGC control frequency of injected signal
phase_shift	67H	focus/radial AGC	–	phase shift of injected signal
level1	69H	focus/radial AGC	–	amplitude of signal injected
level2	6AH	focus/radial AGC	–	amplitude of signal injected
agc_gain	6CH	focus/radial AGC	–	focus/radial gain

# Digital servo processor and Compact Disc decoder (CD7)

SAA7371

## 8 LIMITING VALUES

In accordance with the Absolute Maximum Rating System (IEC 134).

SYMBOL	PARAMETER	CONDITIONS	MIN.	MAX.	UNIT
$V_{DD}$	supply voltage	note 1	-0.5	+6.5	V
$V_{I(max)}$	maximum input voltage (any input)		-0.5	$V_{DD} + 0.5$	V
$V_O$	output voltage (any output)		-0.5	+6.5	V
$V_{DDdiff}$	difference between $V_{DDA}$ and $V_{DD}$		-	$\pm 0.25$	V
$I_O$	output current (continuous)		-	$\pm 20$	mA
$I_{IK}$	DC input diode current (continuous)		-	$\pm 20$	mA
$T_{amb}$	operating ambient temperature		-40	+85	°C
$T_{stg}$	storage temperature		-55	+125	°C
$V_{es}$	electrostatic handling	note 2	-2000	+2000	V
		note 3	-200	+200	V

### Notes

- All  $V_{DD}$  and  $V_{SS}$  connections must be made externally to the same power supply.
- Equivalent to discharging a 100 pF capacitor via a 1.5 k $\Omega$  series resistor with a rise time of 15 ns.
- Equivalent to discharging a 200 pF capacitor via a 2.5  $\mu$ H series inductor.

## 9 CHARACTERISTICS

$V_{DD} = 4.75$  to  $5.25$  V;  $V_{SS} = 0$  V;  $T_{amb} = 0$  to  $+70$  °C; unless otherwise specified.

SYMBOL	PARAMETER	CONDITIONS	MIN.	TYP.	MAX.	UNIT
<b>Supply</b>						
$V_{DD}$	supply voltage		4.75	5.0	5.25	V
$I_{DD}$	supply current	$V_{DD} = 5$ V; $n = 1$	-	49	-	mA
<b>Decoder analog front-end (<math>V_{DDA} = 5</math> V; <math>V_{SSA} = 0</math> V; <math>T_{amb} = 25</math> °C)</b>						
COMPARATOR INPUTS: HFIN AND HFREF						
$f_{clk}$	clock frequency	note 1	8	-	70	MHz
$V_{th(sw)}$	voltage switching threshold		1.2	-	$V_{DD} - 0.8$	V
$V_{15}$	input voltage level (pin 15)		-	1.0	-	V
REFERENCE GENERATOR: $I_{REF}$						
$V_{Iref}$	reference voltage level (pin 18)		-	$0.5V_{DD}$	-	V

# Digital servo processor and Compact Disc decoder (CD7)

SAA7371

SYMBOL	PARAMETER	CONDITIONS	MIN.	TYP.	MAX.	UNIT
<b>Servo analog part (<math>V_{DD} = 5\text{ V}</math>; <math>V_{SS} = 0\text{ V}</math>; <math>T_{amb} = 25\text{ °C}</math>)</b>						
PINS D1 TO D4, R1, R2, $V_{RH}$ , $V_{RL}$ AND $I_{refT}$						
$I_{refT}$	input reference current (pin 10)		1.935	–	5.45	$\mu\text{A}$
$R_{IrefT}$	external resistor on pin 10		220	–	620	$\text{k}\Omega$
$V_{IrefT}$	voltage on reference current input (pin 10)		–	1.2	–	V
$I_{D(max)}$	maximum input current for central diode input signal	note 2	3.871	–	10.9	$\mu\text{A}$
$I_{R(max)}$	maximum input current for satellite diode input signal	note 2	1.935	–	5.45	$\mu\text{A}$
$V_{RL}$	LOW level reference voltage		0	0	0	V
$V_{RH}$	HIGH level reference voltage	output state 0; note 3	–	0.5	–	V
		output state v; note 3	–30%	$0.5 \times 10^{V/44.4}$	+30%	V
		output state 31; note 3	–	2.5	–	V
(THD+N)/S	total harmonic distortion plus noise	at 0 dB; note 4	–	–50	–45	dB
S/N	signal-to-noise ratio		–	55	–	dB
PSRR	power supply rejection at $V_{DDA2}$	note 5	–	45	–	dB
$G_{tol}$	gain tolerance	note 6	–12	0	+12	%
$ G_V $	variation of gain between channels		–	–	2	%
$\alpha_{CS}$	channel separation		–	60	–	dB
<b>Digital inputs</b>						
INPUTS: RESET, V1, V2, SELPLL (CMOS INPUT WITH PULL-UP RESISTOR AND HYSTERESIS)						
$V_{thr(sw)}$	switching threshold rising		–	–	$0.8V_{DDDD}$	V
$V_{thf(sw)}$	switching threshold falling		$0.2V_{DDDD}$	–	–	V
$V_{hys}$	hysteresis voltage		–	$0.33V_{DDDD}$	–	V
$R_{I(pu)}$	input pull-up resistance	$V_i = 0\text{ V}$	–	50	–	$\text{k}\Omega$
$C_{in}$	input capacitance		–	–	10	pF
$t_{resL}$	reset pulse width (active LOW)	RESET only	1	–	–	$\mu\text{s}$
INPUTS: SCL, RAB, SILD AND RCK (CMOS INPUT)						
$V_{IL}$	LOW level input voltage		–0.3	–	$0.3V_{DDDD}$	V
$V_{IH}$	HIGH level input voltage		$0.7V_{DDDD}$	–	$V_{DDDD} + 0.3$	V
$I_{LI}$	input leakage current	$V_i = 0 - V_{DDDD}$	–10	–	+10	$\mu\text{A}$
$C_{in}$	input capacitance		–	–	10	pF

# Digital servo processor and Compact Disc decoder (CD7)

SAA7371

SYMBOL	PARAMETER	CONDITIONS	MIN.	TYP.	MAX.	UNIT
<b>Digital outputs</b>						
OUTPUT: CL4						
V <sub>OL</sub>	LOW level output voltage	I <sub>OL</sub> = 1 mA	0	–	0.4	V
V <sub>OH</sub>	HIGH level output voltage	I <sub>OH</sub> = –1 mA	V <sub>DDD</sub> – 0.4	–	V <sub>DDD</sub>	V
C <sub>L</sub>	load capacitance		–	–	25	pF
t <sub>r</sub>	output rise time	C <sub>L</sub> = 20 pF; 0.8 to (V <sub>DDD</sub> – 0.8)	–	–	20	ns
t <sub>f</sub>	output fall time	C <sub>L</sub> = 20 pF; (V <sub>DDD</sub> – 0.8) to 0.8	–	–	20	ns
OUTPUT: CL16						
V <sub>OL</sub>	LOW level output voltage	I <sub>OL</sub> = 1 mA	0	–	0.4	V
V <sub>OH</sub>	HIGH level output voltage	I <sub>OH</sub> = –1 mA	V <sub>DDD</sub> – 0.4	–	V <sub>DDD</sub>	V
C <sub>L</sub>	load capacitance		–	–	50	pF
t <sub>r</sub>	output rise time	C <sub>L</sub> = 20 pF; 0.8 – (V <sub>DDD</sub> – 0.8)	–	–	15	ns
t <sub>f</sub>	output fall time	C <sub>L</sub> = 20 pF; (V <sub>DDD</sub> – 0.8) – 0.8	–	–	15	ns
OUTPUTS: V4 AND V5						
V <sub>OL</sub>	LOW level output voltage	I <sub>OL</sub> = 10 mA	0	–	1.0	V
V <sub>OH</sub>	HIGH level output voltage	I <sub>OH</sub> = –10 mA	V <sub>DDD</sub> – 1	–	V <sub>DDD</sub>	V
C <sub>L</sub>	load capacitance		–	–	50	pF
t <sub>r</sub>	output rise time	C <sub>L</sub> = 20 pF; 0.8 – (V <sub>DDD</sub> – 0.8)	–	–	10	ns
t <sub>f</sub>	output fall time	C <sub>L</sub> = 20 pF; (V <sub>DDD</sub> – 0.8) – 0.8	–	–	10	ns
<b>Open-drain outputs</b>						
OUTPUTS: CFLG, C2FAIL, STATUS, KILL, V3 AND LDON (OPEN-DRAIN OUTPUT WITH PROTECTION DIODE TO V <sub>DD</sub> )						
V <sub>OL</sub>	LOW level output voltage	I <sub>OL</sub> = 1 mA	0	–	0.4	V
I <sub>O</sub>	output current		–	–	2	mA
C <sub>L</sub>	load capacitance		–	–	25	pF
t <sub>f</sub>	output fall time	C <sub>L</sub> = 20 pF; (V <sub>DD</sub> – 0.8) – 0.8	–	–	30	ns

# Digital servo processor and Compact Disc decoder (CD7)

SAA7371

SYMBOL	PARAMETER	CONDITIONS	MIN.	TYP.	MAX.	UNIT
<b>3-state outputs</b>						
OUTPUTS: EF, CLK, WCLK, DATA AND CL11						
V <sub>OL</sub>	LOW level output voltage	I <sub>OL</sub> = 1 mA	0	–	0.4	V
V <sub>OH</sub>	HIGH level output voltage	I <sub>OH</sub> = –1 mA	V <sub>DD</sub> – 0.4	–	V <sub>DD</sub>	V
C <sub>L</sub>	load capacitance		–	–	50	pF
t <sub>r</sub>	output rise time	C <sub>L</sub> = 20 pF; 0.8 – (V <sub>DD</sub> – 0.8)	–	–	15	ns
t <sub>f</sub>	output fall time	C <sub>L</sub> = 20 pF; (V <sub>DD</sub> – 0.8) – 0.8	–	–	15	ns
I <sub>ZO</sub>	output 3-state leakage current	V <sub>i</sub> = 0 – V <sub>DD</sub>	–10	–	+10	μA
OUTPUT: CL11						
t <sub>H</sub>	output HIGH time (relative to clock period)	V <sub>o</sub> = 1.5 V	45	50	55	%
OUTPUTS: RA, FO, SL, SBSY, SFSY AND SUB						
V <sub>OL</sub>	LOW level output voltage	I <sub>OL</sub> = 1 mA	0	–	0.4	V
V <sub>OH</sub>	HIGH level output voltage	I <sub>OH</sub> = –1 mA	V <sub>DD</sub> – 0.4	–	V <sub>DD</sub>	V
C <sub>L</sub>	load capacitance		–	–	25	pF
t <sub>r</sub>	output rise time	C <sub>L</sub> = 20 pF; 0.8 – (V <sub>DD</sub> – 0.8)	–	–	20	ns
t <sub>f</sub>	output fall time	C <sub>L</sub> = 20 pF; (V <sub>DD</sub> – 0.8) – 0.8	–	–	20	ns
I <sub>ZO</sub>	3-state leakage current	V <sub>i</sub> = 0 – V <sub>DD</sub>	–10	–	+10	μA
OUTPUTS: MOTO1, MOTO2 AND DOBM						
V <sub>OL</sub>	LOW level output voltage	I <sub>OL</sub> = 10 mA	0	–	1.0	V
V <sub>OH</sub>	HIGH level output voltage	I <sub>OH</sub> = –10 mA	V <sub>DD</sub> – 1	–	V <sub>DD</sub>	V
C <sub>L</sub>	load capacitance		–	–	50	pF
t <sub>r</sub>	output rise time	C <sub>L</sub> = 20 pF; 0.8 – (V <sub>DD</sub> – 0.8)	–	–	10	ns
t <sub>f</sub>	output fall time	C <sub>L</sub> = 20 pF; (V <sub>DD</sub> – 0.8) – 0.8	–	–	10	ns
I <sub>ZO</sub>	3-state leakage current	V <sub>i</sub> = 0 – V <sub>DD</sub>	–10	–	+10	μA

# Digital servo processor and Compact Disc decoder (CD7)

SAA7371

SYMBOL	PARAMETER	CONDITIONS	MIN.	TYP.	MAX.	UNIT
<b>Digital input/output</b>						
INPUT/OUTPUT: SDA [CMOS INPUT/OPEN-DRAIN I <sup>2</sup> C-BUS OUTPUT (WITH PROTECTION DIODE TO V <sub>DD</sub> )]						
V <sub>IL</sub>	LOW level input voltage		-0.3	-	0.3V <sub>DD</sub>	V
V <sub>IH</sub>	HIGH level input voltage		0.7V <sub>DD</sub>	-	V <sub>DD</sub> + 0.3	V
I <sub>ZO</sub>	3-state leakage current	V <sub>i</sub> = 0 - V <sub>DD</sub>	-10	-	+10	μA
C <sub>in</sub>	input capacitance		-	-	10	pF
V <sub>OL</sub>	LOW level output voltage	I <sub>OL</sub> = 2 mA	0	-	0.4	V
I <sub>o</sub>	output current		-	-	4	mA
C <sub>L</sub>	load capacitance		-	-	50	pF
t <sub>f</sub>	output fall time	C <sub>L</sub> = 20 pF; (V <sub>DD</sub> - 0.8) - 0.8	-	-	15	ns
<b>Crystal oscillator</b>						
INPUT: CRIN (EXTERNAL CLOCK)						
V <sub>IL</sub>	LOW level input voltage		-0.3	-	0.3V <sub>DD</sub>	V
V <sub>IH</sub>	HIGH level input voltage		0.7V <sub>DD</sub>	-	V <sub>DD</sub> + 0.3	V
I <sub>LI</sub>	input leakage current		-10	-	+10	μA
C <sub>I</sub>	input capacitance		-	-	10	pF
OUTPUT: CROUT; see Figs 3 and 4						
f <sub>xtal</sub>	crystal frequency	note 7	8	8.4672	35	MHz
g <sub>m</sub>	mutual conductance at 100 kHz		-	10	-	mA/V
G <sub>V</sub>	small signal voltage gain	G <sub>V</sub> = g <sub>m</sub> × R <sub>O</sub>	-	18	-	V/V
C <sub>fb</sub>	feedback capacitance		-	-	5	pF
C <sub>out</sub>	output capacitance		-	-	10	pF

**Notes**

- Highest clock frequency at which data slicer produces 1010 output in analog self-test mode.
- V<sub>RL</sub> = 0 V, f<sub>sys</sub> = 4.2336 MHz. The maximum input current depends on the value of the external resistor connected to I<sub>refT</sub>:
  - For D1 to D4: I<sub>max</sub> = 2.4/R<sub>IrefT</sub> ⇒ 2.4/220 kΩ = 10.9 μA.
  - For R1 and R2: I<sub>max</sub> = 1.2/R<sub>IrefT</sub> ⇒ 1.2/220 kΩ = 5.45 μA.
- Internal reference source with 32 different output voltages. Selection is achieved during a calibration period or via the serial interface. The values given are for an unloaded V<sub>RH</sub>.
- V<sub>RH</sub> = 2.5 V and V<sub>RL</sub> = 0 V, measuring bandwidth: 200 Hz to 20 kHz, f<sub>i(ADC)</sub> = 1 kHz.
- f<sub>ripple</sub> = 1 kHz, V<sub>ripple</sub> = 0.5 V (p-p).
- Gain of the ADC is defined as G<sub>ADC</sub> = f<sub>sys</sub>/I<sub>max</sub> (counts/μA); thus digital output = I<sub>i</sub> × G<sub>ADC</sub> where:
  - Digital output = the number of pulses at the digital output in counts/s and I<sub>i</sub> = the DC input current in μA.
  - The maximum input current depends on the system frequency (f<sub>sys</sub> = 4.2336 MHz) and on V<sub>RH</sub> - V<sub>RL</sub>.
  - The gain tolerance is the deviation from the calculated gain regarding note 2.
- It is recommended that the series resistance of the crystal or ceramic resonator is ≤60 Ω.

# Digital servo processor and Compact Disc decoder (CD7)

SAA7371

## 10 OPERATING CHARACTERISTICS (SUBCODE INTERFACE TIMING)

$V_{DD} = 4.75$  to  $5.25$  V;  $V_{SS} = 0$  V;  $T_{amb} = 0$  to  $+70$  °C; unless otherwise specified.

SYMBOL	PARAMETER	CONDITIONS	MIN.	TYP.	MAX.	UNIT
<b>Subcode interface timing (single speed <math>\times n</math>); see Fig.31; note 1</b>						
INPUT: RCK						
$t_H$	input clock HIGH time		2/n	4/n	6/n	$\mu$ s
$t_L$	input clock LOW time		2/n	4/n	6/n	$\mu$ s
$t_{r(i)}$	input clock rise time		–	–	80/n	ns
$t_{f(i)}$	input clock fall time		–	–	80/n	ns
$t_{dC}$	delay time SFSY to RCK		10/n	–	20/n	$\mu$ s
OUTPUT: SBSY, SFSY, SUB ( $C_L = 20$ pF)						
$t_{Bcy}$	block cycle		12.0/n	13.3/n	14.7/n	ms
$t_{BW}$	SBSY pulse width		–	–	300/n	$\mu$ s
$t_{Fcy}$	frame cycle		122/n	136/n	150/n	$\mu$ s
$t_{FW}$	SFSY pulse width (3-wire mode only)		–	–	366/n	$\mu$ s
$t_{FH}$	SFSY HIGH time		–	–	66/n	$\mu$ s
$t_{FL}$	SFSY LOW time		–	–	84/n	$\mu$ s
$t_{dPAC}$	delay time SFSY to SUB (P data) valid		–	–	1/n	$\mu$ s
$t_{dAC}$	delay time RCK falling to SUB		–	–	0	$\mu$ s
$t_{hD}$	hold time RCK to SUB		–	–	0.7/n	$\mu$ s

### Note

- The subcode timing is directly related to the overspeed factor,  $n$ , in normal operating mode. 'n' is replaced by the disc speed factor 'd', in the lock-to-disc mode.



# Digital servo processor and Compact Disc decoder (CD7)

SAA7371

## 11 OPERATING CHARACTERISTICS (I<sup>2</sup>S-BUS TIMING)

$V_{DD} = 4.75$  to  $5.25$  V;  $V_{SS} = 0$  V;  $T_{amb} = 0$  to  $+70$  °C; unless otherwise specified

SYMBOL	PARAMETER	CONDITIONS	MIN.	TYP.	MAX.	UNIT
<b>I<sup>2</sup>S-bus timing (single speed × n); see Fig.32; note 1</b>						
CLOCK OUTPUT: SCLK ( $C_L = 20$ pF)						
$T_{cy}$	output clock period	sample rate = $f_s$	–	472.4/n	–	ns
		sample rate = $2f_s$	–	236.2/n	–	ns
		sample rate = $4f_s$	–	118.1/n	–	ns
$t_{CH}$	clock HIGH time	sample rate = $f_s$	166/n	–	–	ns
		sample rate = $2f_s$	83/n	–	–	ns
		sample rate = $4f_s$	42/n	–	–	ns
$t_{CL}$	clock LOW time	sample rate = $f_s$	166/n	–	–	ns
		sample rate = $2f_s$	83/n	–	–	ns
		sample rate = $4f_s$	42/n	–	–	ns
OUTPUTS: WCLK, DATA AND EF ( $C_L = 20$ pF)						
$t_{su}$	set-up time	sample rate = $f_s$	95/n	–	–	ns
		sample rate = $2f_s$	48/n	–	–	ns
		sample rate = $4f_s$	24/n	–	–	ns
$t_h$	hold time	sample rate = $f_s$	95/n	–	–	ns
		sample rate = $2f_s$	48/n	–	–	ns
		sample rate = $4f_s$	24/n	–	–	ns

### Note

- The I<sup>2</sup>S-bus timing is directly related to the overspeed factor 'n' in the normal operating mode. In the lock-to-disc mode 'n' is replaced by the disc speed factor 'd'.

# Digital servo processor and Compact Disc decoder (CD7)

SAA7371

## 12 OPERATING CHARACTERISTICS (MICROCONTROLLER INTERFACE TIMING)

$V_{DD} = 4.75$  to  $5.25$  V;  $V_{SS} = 0$  V;  $T_{amb} = 0$  to  $+70$  °C; unless otherwise specified.

SYMBOL	PARAMETER	CONDITIONS	NORMAL MODE		LOCK-TO-DISC MODE		UNIT
			MIN.	MAX.	MIN.	MAX.	
<b>Microcontroller interface timing (4-wire bus mode; writing to registers 0 to F; reading Q-channel subcode and decoder status); see Figs 33 and 34; note 1</b>							
INPUTS SCL AND RAB							
$t_{CL}$	input LOW time		$480/n + 20$	–	$2400/n + 20$	–	ns
$t_{CH}$	input HIGH time		$480/n + 20$	–	$2400/n + 20$	–	ns
$t_r$	rise time		–	$480/n$	–	$480/n$	ns
$t_f$	fall time		–	$480/n$	–	$480/n$	ns
READ MODE ( $C_L = 20$ pF)							
$t_{dRD}$	delay time RAB to SDA valid		–	50	–	50	ns
$t_{dp}$	propagation delay SCL to SDA		$720/n - 20$	$960/n + 20$	$720/n + 20$	$4800/n + 20$	ns
$t_{dRZ}$	delay time RAB to SDA high-impedance		–	50	–	50	ns
WRITE MODE ( $C_L = 20$ pF)							
$t_{suD}$	set-up time SDA to SCL	note 2	$20 - 720/n$	–	$20 - 720/n$	–	ns
$t_{hD}$	hold time SCL to SDA		–	$960/n + 20$	–	$4800/n + 20$	ns
$t_{suCR}$	set-up time SCL to RAB		$240/n + 20$	–	$1200/n + 20$	–	ns
$t_{dWZ}$	delay time SDA high-impedance to RAB		0	–	0	–	ns
<b>Microcontroller interface timing (4-wire bus mode; servo commands); see Figs 35 and 36</b>							
INPUTS SCL AND SILD							
$t_L$	Input LOW time		710	–	710	–	ns
$t_H$	Input HIGH time		710	–	710	–	ns
$t_r$	rise time		–	240	–	240	ns
$t_f$	fall time		–	240	–	240	ns
READ MODE ( $C_L = 20$ pF)							
$t_{dLD}$	delay time SILD to SDA valid		–	25	–	25	ns
$t_{pD}$	propagation delay SCL to SDA		–	950	–	950	ns
$t_{dLZ}$	delay time SILD to SDA high-impedance		–	50	–	50	ns
$t_{sCLR}$	set-up time SCL to SILD		480	–	480	–	ns
$t_{hCLR}$	hold time SILD to SCL		830	–	830	–	ns

# Digital servo processor and Compact Disc decoder (CD7)

SAA7371

SYMBOL	PARAMETER	CONDITIONS	NORMAL MODE		LOCK-TO-DISC MODE		UNIT
			MIN.	MAX.	MIN.	MAX.	
WRITE MODE ( $C_L = 20 \text{ pF}$ )							
$t_{sD}$	set-up time SDA to SCL		0	-	0	-	ns
$t_{hD}$	hold time SCL to SDA		950	-	950	-	ns
$t_{sCL}$	set-up time SCL to SILD		480	-	480	-	ns
$t_{hCL}$	hold time SILD to SCL		120	-	120	-	ns
$t_{dPLP}$	delay between two SILD pulses		70	-	70	-	$\mu\text{s}$
$t_{dWZ}$	delay time SDA high-impedance to SILD		0	-	0	-	ns

**Notes**

1. The 4-wire bus mode microprocessor interface timing for writing to registers 0 to F, and reading Q-channel subcode and decoder status, is a function of the overspeed factor 'n'. In the lock-to-disc mode the maximum data rate is lower.
2. Negative set-up time means that the data may change after clock transition.

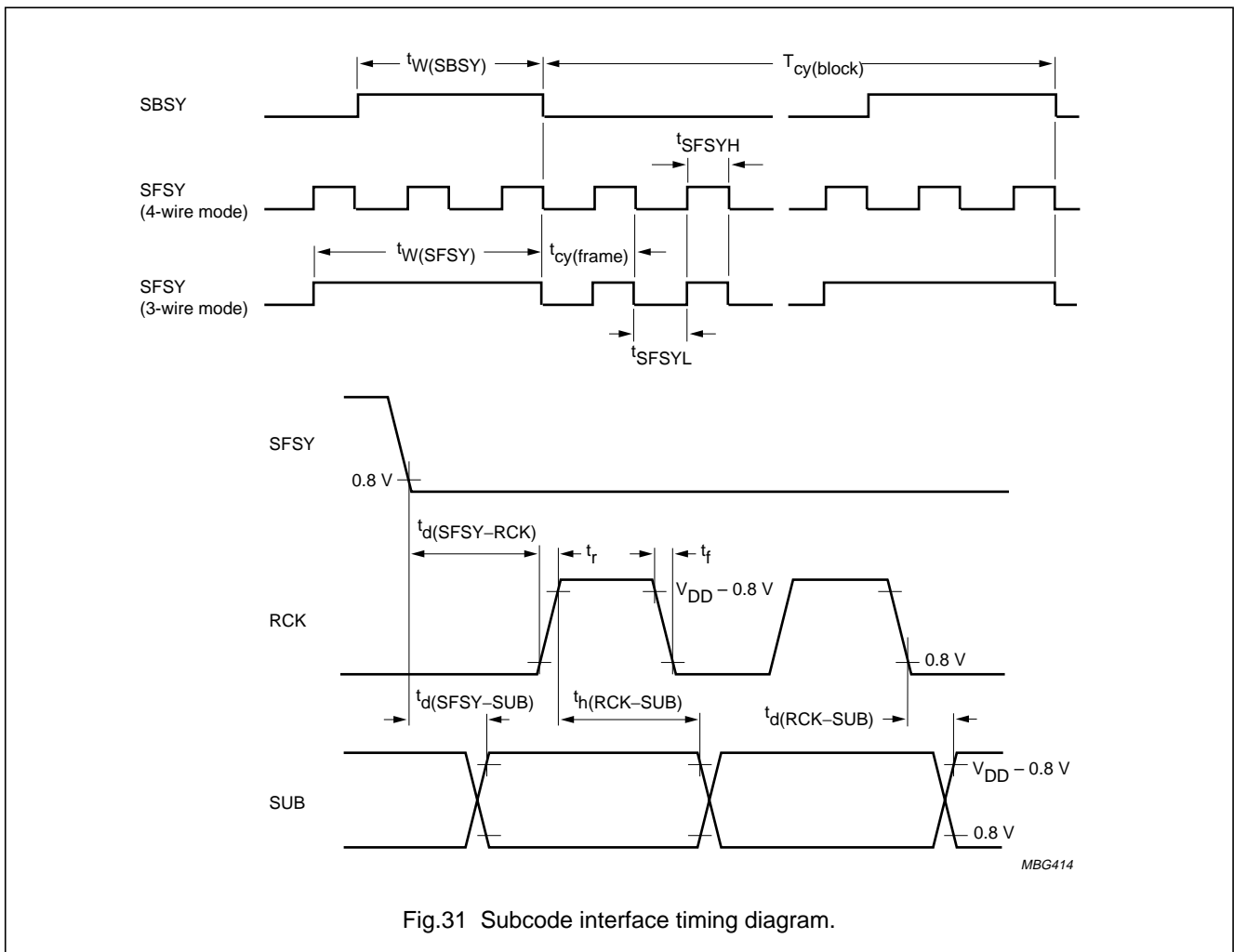


Fig.31 Subcode interface timing diagram.

Digital servo processor and  
Compact Disc decoder (CD7)

SAA7371

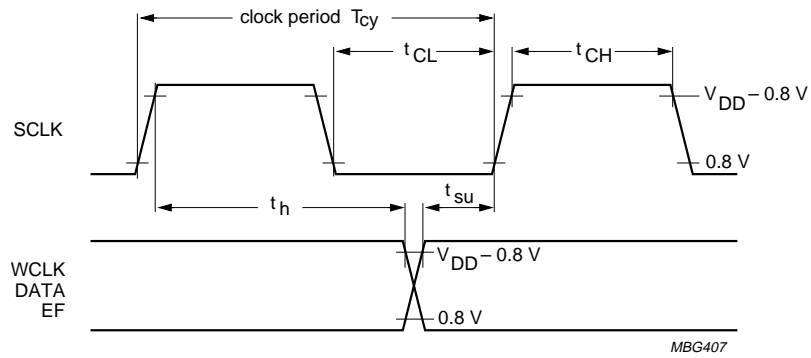


Fig.32 I<sup>2</sup>S-bus timing diagram.

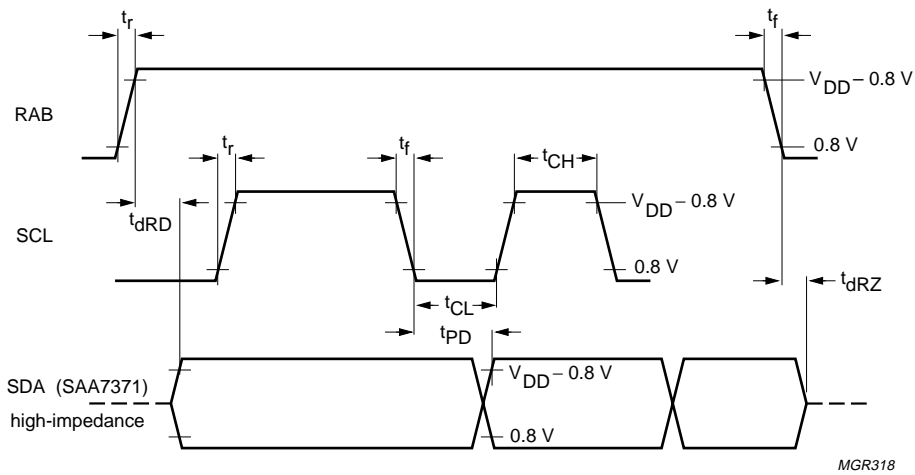


Fig.33 4-wire bus microcontroller timing; read mode (Q-channel subcode and decoder status information).

# Digital servo processor and Compact Disc decoder (CD7)

SAA7371

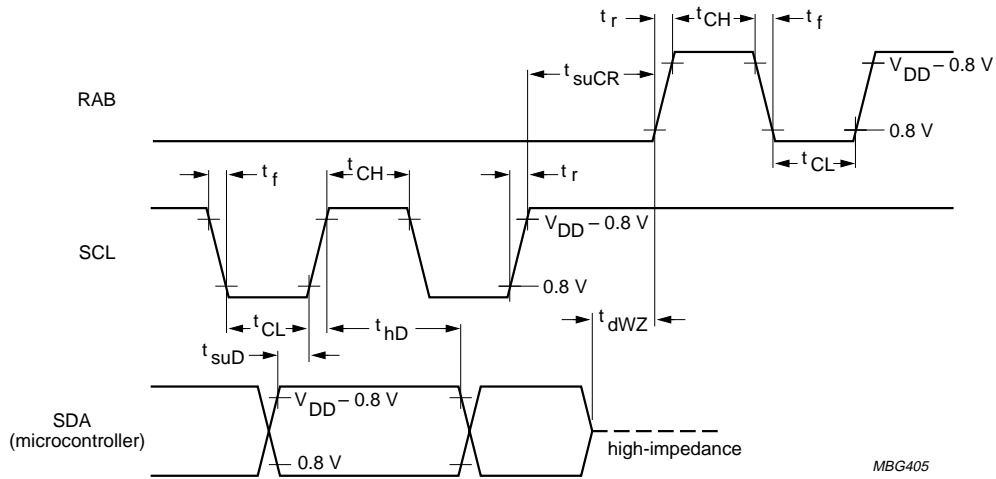


Fig.34 4-wire bus microcontroller timing; write mode (registers 0 to F).

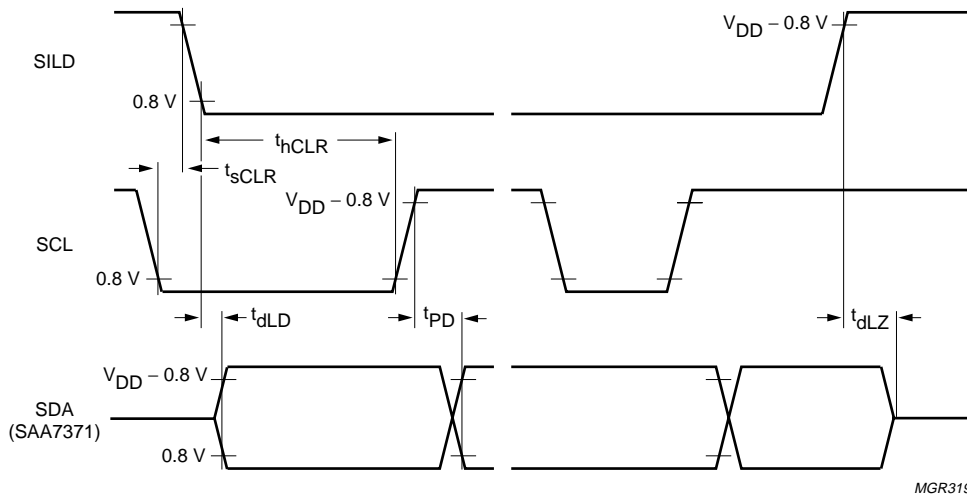
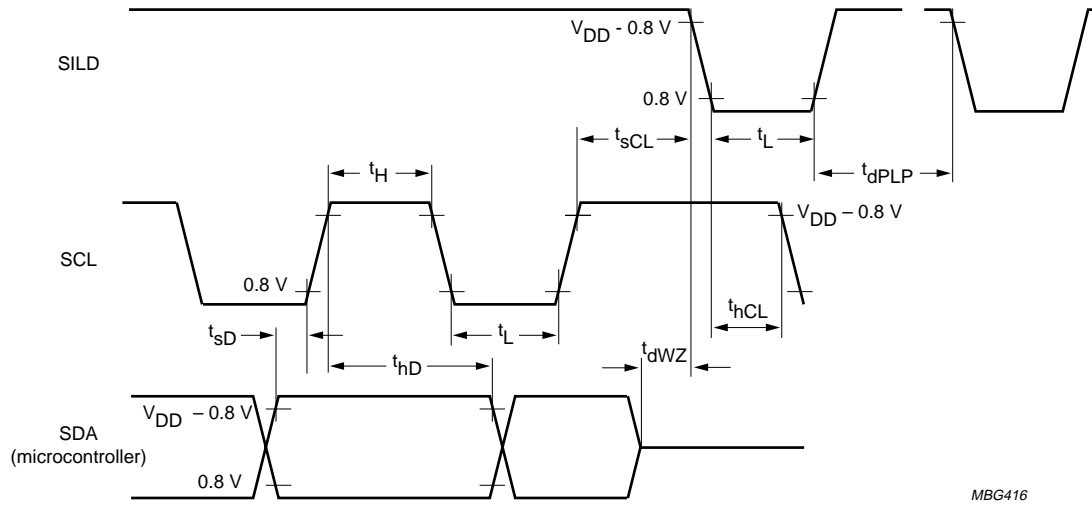


Fig.35 4-wire bus microcontroller timing; read mode (servo commands).

Digital servo processor and  
Compact Disc decoder (CD7)

SAA7371



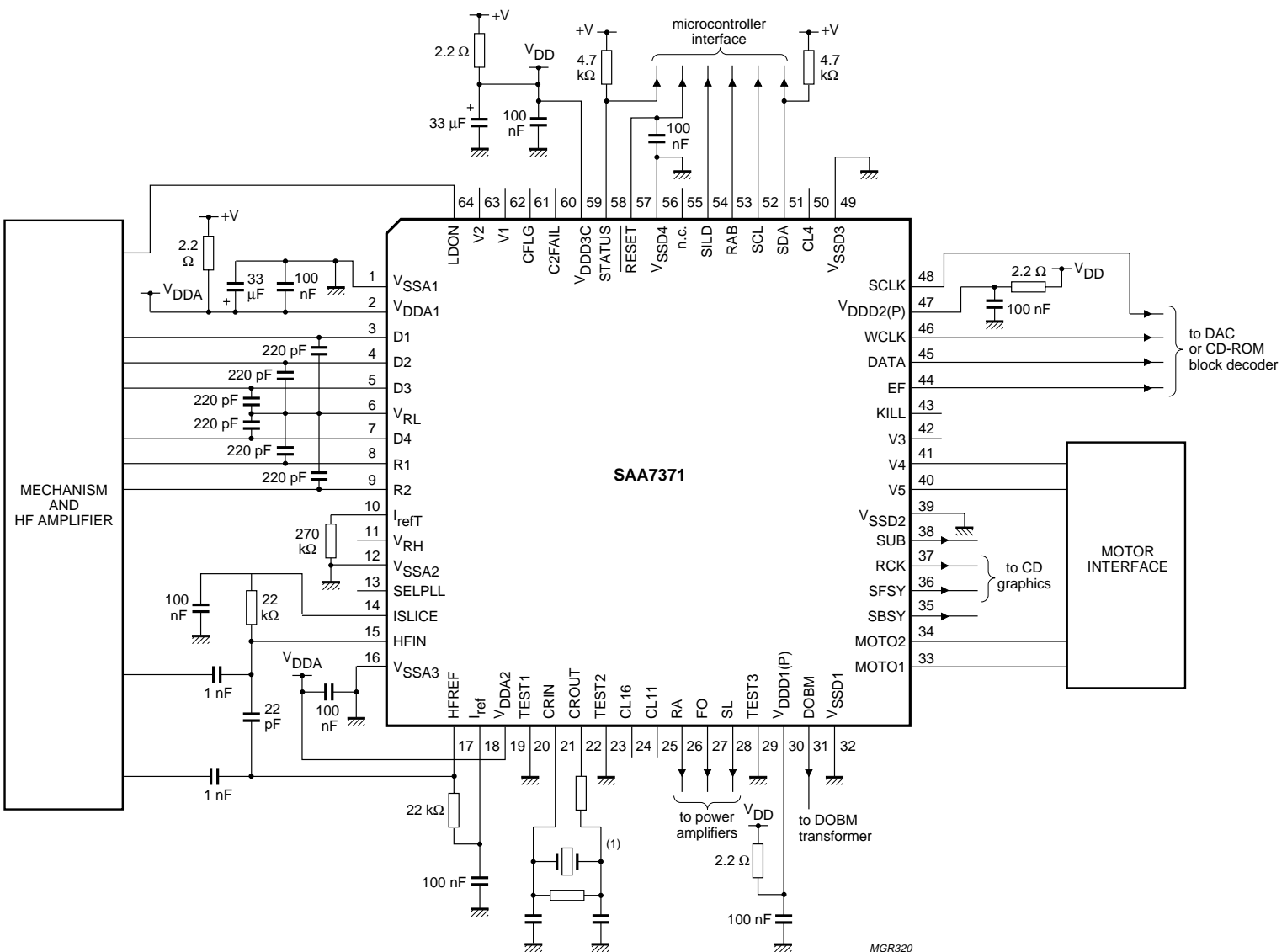
MBG416

Fig.36 4-wire bus microcontroller timing; write mode (servo commands).

# Digital servo processor and Compact Disc decoder (CD7)

SAA7371

## 13 APPLICATION INFORMATION



MGR320

Fig.37 Typical application diagram.

(1) For crystal oscillator see Figs 3 and 4.

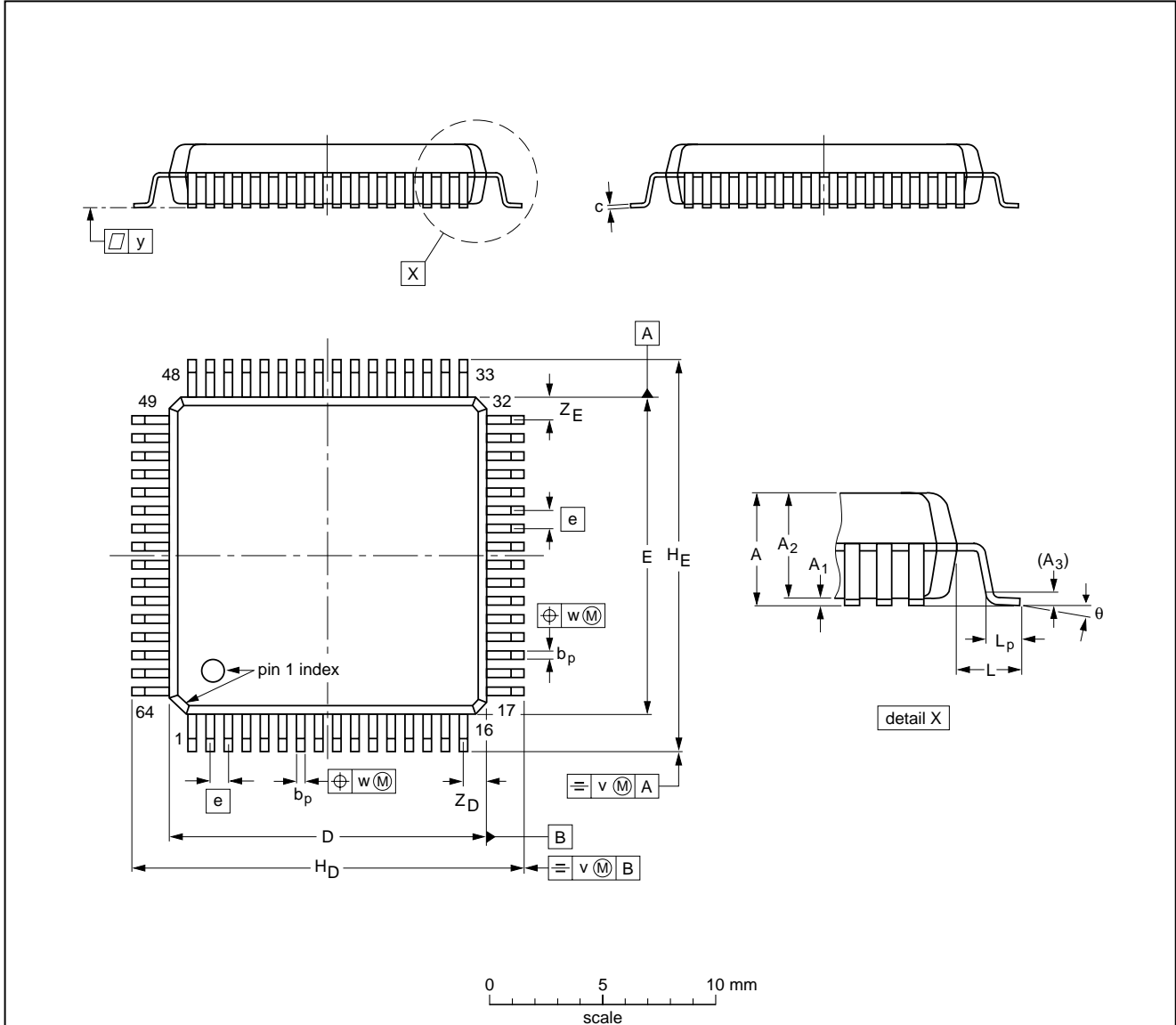
# Digital servo processor and Compact Disc decoder (CD7)

SAA7371

## 14 PACKAGE OUTLINE

QFP64: plastic quad flat package; 64 leads (lead length 1.6 mm); body 14 x 14 x 2.7 mm

SOT393-1



**DIMENSIONS (mm are the original dimensions)**

UNIT	A max.	A <sub>1</sub>	A <sub>2</sub>	A <sub>3</sub>	b <sub>p</sub>	c	D <sup>(1)</sup>	E <sup>(1)</sup>	e	H <sub>D</sub>	H <sub>E</sub>	L	L <sub>p</sub>	v	w	y	Z <sub>D</sub> <sup>(1)</sup>	Z <sub>E</sub> <sup>(1)</sup>	θ
mm	3.00	0.25 0.10	2.75 2.55	0.25	0.45 0.30	0.23 0.13	14.1 13.9	14.1 13.9	0.8	17.45 16.95	17.45 16.95	1.60	1.03 0.73	0.16	0.16	0.10	1.2 0.8	1.2 0.8	7° 0°

**Note**

1. Plastic or metal protrusions of 0.25 mm maximum per side are not included.

OUTLINE VERSION	REFERENCES				EUROPEAN PROJECTION	ISSUE DATE
	IEC	JEDEC	EIAJ			
SOT393-1		MS-022				96-05-21 97-08-04



## Digital servo processor and Compact Disc decoder (CD7)

SAA7371

### 15 SOLDERING

#### 15.1 Introduction

There is no soldering method that is ideal for all IC packages. Wave soldering is often preferred when through-hole and surface mounted components are mixed on one printed-circuit board. However, wave soldering is not always suitable for surface mounted ICs, or for printed-circuits with high population densities. In these situations reflow soldering is often used.

This text gives a very brief insight to a complex technology. A more in-depth account of soldering ICs can be found in our "IC Package Databook" (order code 9398 652 90011).

#### 15.2 Reflow soldering

Reflow soldering techniques are suitable for all QFP packages.

The choice of heating method may be influenced by larger plastic QFP packages (44 leads, or more). If infrared or vapour phase heating is used and the large packages are not absolutely dry (less than 0.1% moisture content by weight), vaporization of the small amount of moisture in them can cause cracking of the plastic body. For more information, refer to the Drypack chapter in our "Quality Reference Handbook" (order code 9397 750 00192).

Reflow soldering requires solder paste (a suspension of fine solder particles, flux and binding agent) to be applied to the printed-circuit board by screen printing, stencilling or pressure-syringe dispensing before package placement.

Several methods exist for reflowing; for example, infrared/convection heating in a conveyor type oven. Throughput times (preheating, soldering and cooling) vary between 50 and 300 seconds depending on heating method. Typical reflow peak temperatures range from 215 to 250 °C.

#### 15.3 Wave soldering

Wave soldering is **not** recommended for QFP packages. This is because of the likelihood of solder bridging due to closely-spaced leads and the possibility of incomplete solder penetration in multi-lead devices.

If wave soldering cannot be avoided, for QFP packages with a pitch (e) larger than 0.5 mm, the following conditions must be observed:

- **A double-wave (a turbulent wave with high upward pressure followed by a smooth laminar wave) soldering technique should be used.**
- **The footprint must be at an angle of 45° to the board direction and must incorporate solder thieves downstream and at the side corners.**

During placement and before soldering, the package must be fixed with a droplet of adhesive. The adhesive can be applied by screen printing, pin transfer or syringe dispensing. The package can be soldered after the adhesive is cured.

Maximum permissible solder temperature is 260 °C, and maximum duration of package immersion in solder is 10 seconds, if cooled to less than 150 °C within 6 seconds. Typical dwell time is 4 seconds at 250 °C.

A mildly-activated flux will eliminate the need for removal of corrosive residues in most applications.

#### 15.4 Repairing soldered joints

Fix the component by first soldering two diagonally-opposite end leads. Use only a low voltage soldering iron (less than 24 V) applied to the flat part of the lead. Contact time must be limited to 10 seconds at up to 300 °C. When using a dedicated tool, all other leads can be soldered in one operation within 2 to 5 seconds between 270 and 320 °C.

CAUTION
Wave soldering is NOT applicable for all QFP packages with a pitch (e) equal or less than 0.5 mm.

## Digital servo processor and Compact Disc decoder (CD7)

SAA7371

### 16 DEFINITIONS

<b>Data sheet status</b>	
Objective specification	This data sheet contains target or goal specifications for product development.
Preliminary specification	This data sheet contains preliminary data; supplementary data may be published later.
Product specification	This data sheet contains final product specifications.
Short-form specification	The data in this specification is extracted from a full data sheet with the same type number and title. For detailed information see the relevant data sheet or data handbook.
<b>Limiting values</b>	
Limiting values given are in accordance with the Absolute Maximum Rating System (IEC 134). Stress above one or more of the limiting values may cause permanent damage to the device. These are stress ratings only and operation of the device at these or at any other conditions above those given in the Characteristics sections of the specification is not implied. Exposure to limiting values for extended periods may affect device reliability.	
<b>Application information</b>	
Where application information is given, it is advisory and does not form part of the specification.	

### 17 LIFE SUPPORT APPLICATIONS

These products are not designed for use in life support appliances, devices, or systems where malfunction of these products can reasonably be expected to result in personal injury. Philips customers using or selling these products for use in such applications do so at their own risk and agree to fully indemnify Philips for any damages resulting from such improper use or sale.

### 18 PURCHASE OF PHILIPS I<sup>2</sup>C COMPONENTS



Purchase of Philips I<sup>2</sup>C components conveys a license under the Philips' I<sup>2</sup>C patent to use the components in the I<sup>2</sup>C system provided the system conforms to the I<sup>2</sup>C specification defined by Philips. This specification can be ordered using the code 9398 393 40011.

---

Digital servo processor and  
Compact Disc decoder (CD7)

---

SAA7371

**NOTES**

# Philips Semiconductors – a worldwide company

**Argentina:** see South America

**Australia:** 34 Waterloo Road, NORTH RYDE, NSW 2113, Tel. +61 2 9805 4455, Fax. +61 2 9805 4466

**Austria:** Computerstr. 6, A-1101 WIEN, P.O. Box 213, Tel. +43 160 1010, Fax. +43 160 101 1210

**Belarus:** Hotel Minsk Business Center, Bld. 3, r. 1211, Volodarski Str. 6, 220050 MINSK, Tel. +375 172 200 733, Fax. +375 172 200 773

**Belgium:** see The Netherlands

**Brazil:** see South America

**Bulgaria:** Philips Bulgaria Ltd., Energoproject, 15th floor, 51 James Bourchier Blvd., 1407 SOFIA, Tel. +359 2 689 211, Fax. +359 2 689 102

**Canada:** PHILIPS SEMICONDUCTORS/COMPONENTS, Tel. +1 800 234 7381

**China/Hong Kong:** 501 Hong Kong Industrial Technology Centre, 72 Tat Chee Avenue, Kowloon Tong, HONG KONG, Tel. +852 2319 7888, Fax. +852 2319 7700

**Colombia:** see South America

**Czech Republic:** see Austria

**Denmark:** Prags Boulevard 80, PB 1919, DK-2300 COPENHAGEN S, Tel. +45 32 88 2636, Fax. +45 31 57 0044

**Finland:** Sinikalliontie 3, FIN-02630 ESPOO, Tel. +358 9 615800, Fax. +358 9 61580920

**France:** 51 Rue Carnot, BP317, 92156 SURESNES Cedex, Tel. +33 1 40 99 6161, Fax. +33 1 40 99 6427

**Germany:** Hammerbrookstraße 69, D-20097 HAMBURG, Tel. +49 40 23 53 60, Fax. +49 40 23 536 300

**Greece:** No. 15, 25th March Street, GR 17778 TAVROS/ATHENS, Tel. +30 1 4894 339/239, Fax. +30 1 4814 240

**Hungary:** see Austria

**India:** Philips INDIA Ltd, Band Box Building, 2nd floor, 254-D, Dr. Annie Besant Road, Worli, MUMBAI 400 025, Tel. +91 22 493 8541, Fax. +91 22 493 0966

**Indonesia:** PT Philips Development Corporation, Semiconductors Division, Gedung Philips, Jl. Buncit Raya Kav.99-100, JAKARTA 12510, Tel. +62 21 794 0040 ext. 2501, Fax. +62 21 794 0080

**Ireland:** Newstead, Clonskeagh, DUBLIN 14, Tel. +353 1 7640 000, Fax. +353 1 7640 200

**Israel:** RAPAC Electronics, 7 Kehilat Saloniki St, PO Box 18053, TEL AVIV 61180, Tel. +972 3 645 0444, Fax. +972 3 649 1007

**Italy:** PHILIPS SEMICONDUCTORS, Piazza IV Novembre 3, 20124 MILANO, Tel. +39 2 6752 2531, Fax. +39 2 6752 2557

**Japan:** Philips Bldg 13-37, Kohnan 2-chome, Minato-ku, TOKYO 108-8507, Tel. +81 3 3740 5130, Fax. +81 3 3740 5077

**Korea:** Philips House, 260-199 Itaewon-dong, Yongsan-ku, SEOUL, Tel. +82 2 709 1412, Fax. +82 2 709 1415

**Malaysia:** No. 76 Jalan Universiti, 46200 PETALING JAYA, SELANGOR, Tel. +60 3 750 5214, Fax. +60 3 757 4880

**Mexico:** 5900 Gateway East, Suite 200, EL PASO, TEXAS 79905, Tel. +9-5 800 234 7381

**Middle East:** see Italy

**Netherlands:** Postbus 90050, 5600 PB EINDHOVEN, Bldg. VB, Tel. +31 40 27 82785, Fax. +31 40 27 88399

**New Zealand:** 2 Wagener Place, C.P.O. Box 1041, AUCKLAND, Tel. +64 9 849 4160, Fax. +64 9 849 7811

**Norway:** Box 1, Manglerud 0612, OSLO, Tel. +47 22 74 8000, Fax. +47 22 74 8341

**Pakistan:** see Singapore

**Philippines:** Philips Semiconductors Philippines Inc., 106 Valero St. Salcedo Village, P.O. Box 2108 MCC, MAKATI, Metro MANILA, Tel. +63 2 816 6380, Fax. +63 2 817 3474

**Poland:** Ul. Lukiska 10, PL 04-123 WARSZAWA, Tel. +48 22 612 2831, Fax. +48 22 612 2327

**Portugal:** see Spain

**Romania:** see Italy

**Russia:** Philips Russia, Ul. Usatcheva 35A, 119048 MOSCOW, Tel. +7 095 755 6918, Fax. +7 095 755 6919

**Singapore:** Lorong 1, Toa Payoh, SINGAPORE 319762, Tel. +65 350 2538, Fax. +65 251 6500

**Slovakia:** see Austria

**Slovenia:** see Italy

**South Africa:** S.A. PHILIPS Pty Ltd., 195-215 Main Road Martindale, 2092 JOHANNESBURG, P.O. Box 7430 Johannesburg 2000, Tel. +27 11 470 5911, Fax. +27 11 470 5494

**South America:** Al. Vicente Pinzon, 173, 6th floor, 04547-130 SÃO PAULO, SP, Brazil, Tel. +55 11 821 2333, Fax. +55 11 821 2382

**Spain:** Balmes 22, 08007 BARCELONA, Tel. +34 93 301 6312, Fax. +34 93 301 4107

**Sweden:** Kottbygatan 7, Akalla, S-16485 STOCKHOLM, Tel. +46 8 5985 2000, Fax. +46 8 5985 2745

**Switzerland:** Allmendstrasse 140, CH-8027 ZÜRICH, Tel. +41 1 488 2741 Fax. +41 1 488 3263

**Taiwan:** Philips Semiconductors, 6F, No. 96, Chien Kuo N. Rd., Sec. 1, TAIPEI, Taiwan Tel. +886 2 2134 2865, Fax. +886 2 2134 2874

**Thailand:** PHILIPS ELECTRONICS (THAILAND) Ltd., 209/2 Sanpavuth-Bangna Road Prakanong, BANGKOK 10260, Tel. +66 2 745 4090, Fax. +66 2 398 0793

**Turkey:** Talatpasa Cad. No. 5, 80640 GÜLTEPE/ISTANBUL, Tel. +90 212 279 2770, Fax. +90 212 282 6707

**Ukraine:** PHILIPS UKRAINE, 4 Patrice Lumumba str., Building B, Floor 7, 252042 KIEV, Tel. +380 44 264 2776, Fax. +380 44 268 0461

**United Kingdom:** Philips Semiconductors Ltd., 276 Bath Road, Hayes, MIDDLESEX UB3 5BX, Tel. +44 181 730 5000, Fax. +44 181 754 8421

**United States:** 811 East Arques Avenue, SUNNYVALE, CA 94088-3409, Tel. +1 800 234 7381

**Uruguay:** see South America

**Vietnam:** see Singapore

**Yugoslavia:** PHILIPS, Trg N. Pasica 5/v, 11000 BEOGRAD, Tel. +381 11 625 344, Fax. +381 11 635 777

**For all other countries apply to:** Philips Semiconductors, International Marketing & Sales Communications, Building BE-p, P.O. Box 218, 5600 MD EINDHOVEN, The Netherlands, Fax. +31 40 27 24825

**Internet:** <http://www.semiconductors.philips.com>

© Philips Electronics N.V. 1998

SCA60

All rights are reserved. Reproduction in whole or in part is prohibited without the prior written consent of the copyright owner.

The information presented in this document does not form part of any quotation or contract, is believed to be accurate and reliable and may be changed without notice. No liability will be accepted by the publisher for any consequence of its use. Publication thereof does not convey nor imply any license under patent- or other industrial or intellectual property rights.

Printed in The Netherlands

545102/00/01/pp60

Date of release: 1998 Jul 06

Document order number: 9397 750 04001

*Let's make things better.*

**Philips  
Semiconductors**



**PHILIPS**