

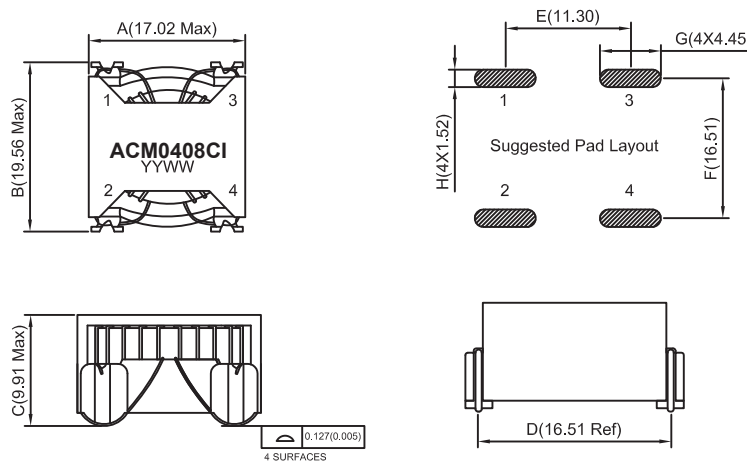


- Solution based on impedance, size and current
- Designed DC/DC converters
- Operating Temperature-25°C to 120°C
- Dielectric strength: 1000Vrms

Electrical Specifications @25°C							
Part Number	Turns Ratio @10KHz,0.1V	OCL @10KHz 0.02V		DCR(Max) (mΩ)		Irated (A)	HI-POT
	1-2:3-4	1-2	3-4	1-2	3-4	1-2=3-4	(vrms)
ACM0408CI	1:1±2%	.22mH±35%	.22mH±35%	60	60	3.30	AC1000V/1mA/2S

All specifications subject to change without notice.

MECHANICAL



Unless otherwise specified all tolerances are: ± 0.25 in mm

SCHEMATICS

