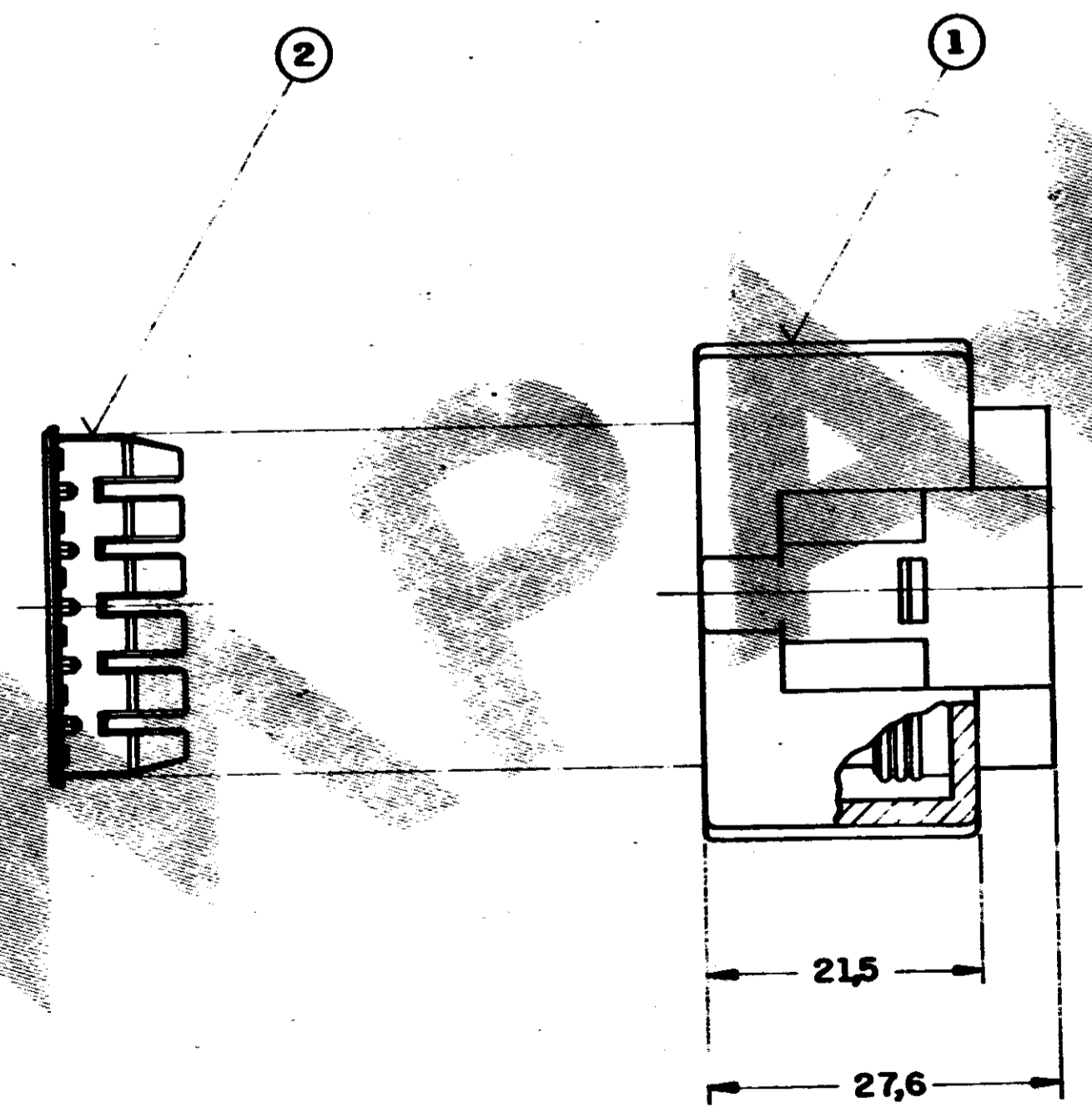
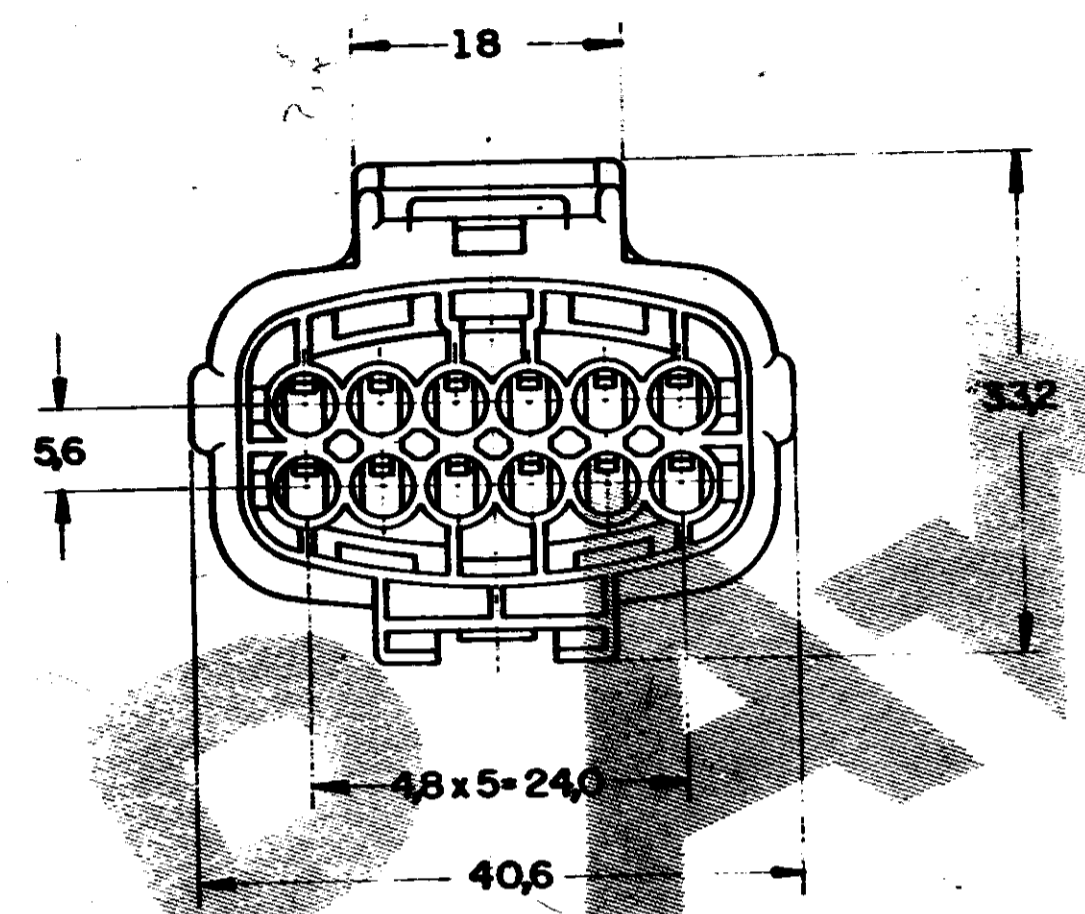
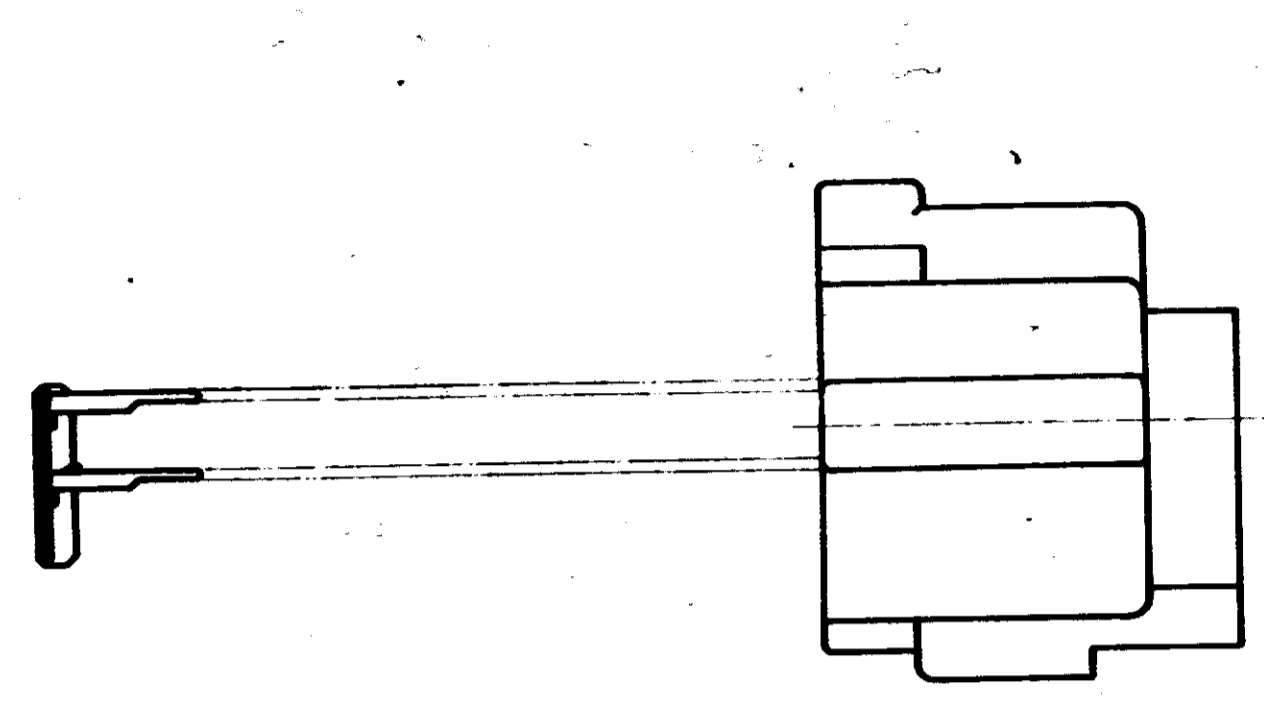


C444011 1 OF 1

444 011		DO NOT SCALE		METRIC		3rd ANGLE PROJECTION	
		-1		DIMENSIONS IN mm.			
REQ. PER ASSY	ITEM	MATERIAL		DESCRIPTION		FINISH	
	1	PBT		PLUG HS6. 12 POSN ECONOSEAL J- MARK II		PRETO BLACK	
	2	PBT		DOUBLE LOCK 12 POSN ECONOSEAL J-MARK II		AMARELO YELLOW	



1 - OS ITENS 1 e 2 DEVEM SER FORNECIDOS DESMONTADOS.
-ITENS 1 AND 2 MUST BE SUPPLIED DISASSEMBLED.

OTHER TREATMENT	FINISH	MATERIAL	PART NUMBER
CUSTOMER DWG for REFERENCE ONLY			
<small>THIS DRAWING IS UNPUBLISHED RELEASED FOR PUBLICATION</small> <small>© COPYRIGHT BY AMP DO BRASIL LTDA S.P. ALL INTERNATIONAL RIGHTS RESERVED AMP PRODUCTS ARE COVERED BY U.S. AND FOREIGN PATENTS AND/OR PATENTS PENDING</small>			
TOLERANCES UNLESS OTHERWISE STATED		INS DIA RANGE	WIRE RANGE SCALE
DEC. 20,3		—//—	—//— 2:1
ANGLES 21°			
DR. M. LAPRESA 12-3-91		AMP AMP do BRASIL LTDA. São Paulo, Brasil	
CHK. CI-10-71		DESCRIPTION	
DE. 21/11/91		KIT ECONOSEAL J 12 POSN.	
Q. ERA P01-29023	REL. 27-10-90	A2 DWG NO C 444 011 SHEET 1 OF 1	
REVISION RECORD	DR. CHK. DATE APP.		