

PLEASE CHECK WWW.MOLEX.COM FOR LATEST PART INFORMATION

Part Number: [0878344013](#)
Status: **Active**
Overview: [cgrid_sl_products](#)
Description: 2.54mm (.100") Pitch C-Grid® Header, Dual Row, Low Profile, Vertical, Shrouded, Lead-free, 40 Circuits, 0.13µm (5µ) Gold (Au) Selective Plating, Beige, with in-line Polarization Peg and Void, with Center Polarization Slot

Documents:

[Drawing \(PDF\)](#) [RoHS Certificate of Compliance \(PDF\)](#)

Agency Certification

UL E29179

General

Product Family PCB Headers
 Series [87834](#)
 Application Wire-to-Board
 Comments Void Pin Location: 20
 Overview [cgrid_sl_products](#)
 Product Name C-Grid®

Physical

Breakaway No
 Circuits (Loaded) 39
 Circuits (maximum) 40
 Color - Resin Natural
 First Mate / Last Break No
 Flammability 94V-0
 Glow-Wire Compliant No
 Guide to Mating Part No
 Keying to Mating Part None
 Lock to Mating Part None
 Material - Plating Mating Gold
 Material - Plating Termination Tin
 Material - Resin Nylon
 Number of Rows 2
 Orientation Vertical
 PC Tail Length (in) 0.135 In
 PC Tail Length (mm) 3.43 mm
 PCB Locator Yes
 PCB Retention Yes
 Packaging Type Tray
 Pitch - Mating Interface (in) 0.100 In
 Pitch - Mating Interface (mm) 2.54 mm
 Pitch - Term. Interface (in) 0.100 In
 Pitch - Term. Interface (mm) 2.54 mm
 Plating min: Mating (µin) 5.2
 Plating min: Mating (µm) 0.13
 Plating min: Termination (µin) 10
 Plating min: Termination (µm) 0.25
 Polarized to Mating Part Yes
 Polarized to PCB Yes
 Shrouded Fully
 Stackable No
 Temperature Range - Operating -55°C to +120°C
 Termination Interface: Style Through Hole

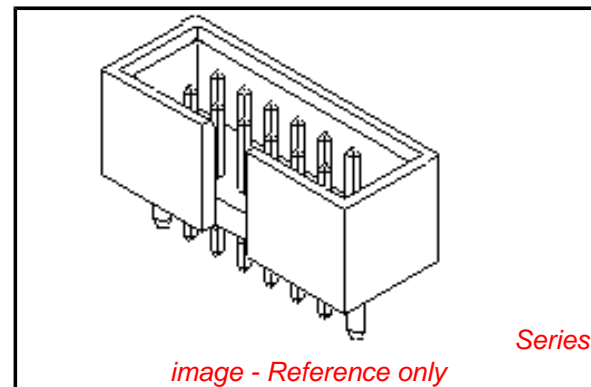


image - Reference only

EU RoHS

ELV and RoHS Compliant
REACH SVHC Contains SVHC: No
Halogen-Free Status
Not Reviewed

China RoHS



Need more information on product environmental compliance?

Email productcompliance@molex.com
 For a multiple part number RoHS Certificate of Compliance, [click here](#)

Please visit the [Contact Us](#) section for any non-product compliance questions.

Search Parts in this Series

[87834Series](#)

Mates With

.050" pitch ribbon cable connectors

Electrical

Current - Maximum per Contact

2.5A

Voltage - Maximum

250V DC

Material Info**Reference - Drawing Numbers**

Packaging Specification

PK-87835-001

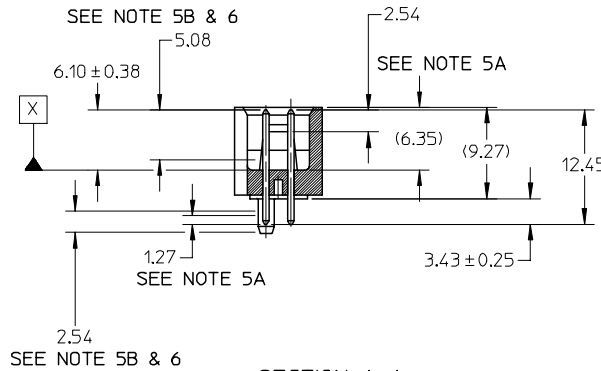
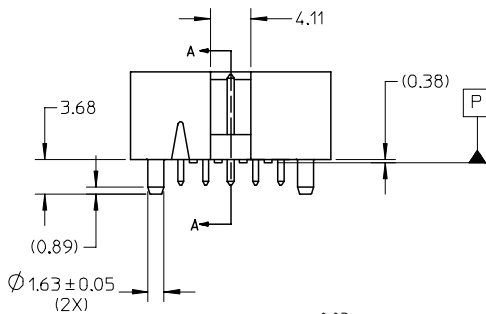
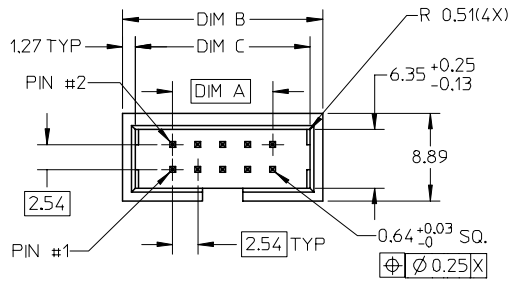
Sales Drawing

SD-87834-057

This document was generated on 05/25/2010

PLEASE CHECK WWW.MOLEX.COM FOR LATEST PART INFORMATION

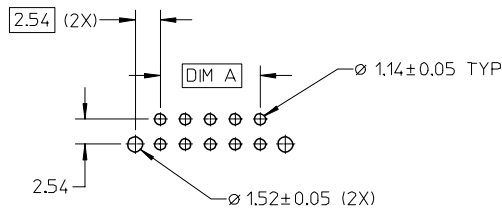
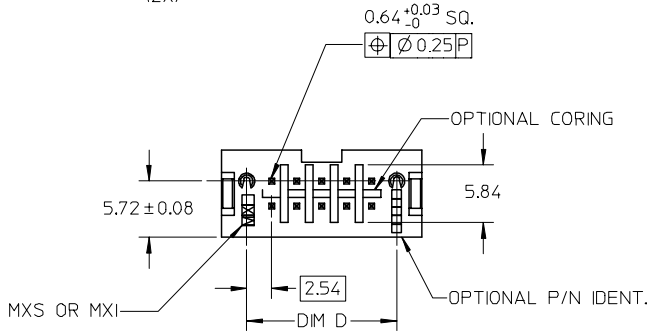
PART NUMBERS	CKT SIZE	DIM A	DIM B	DIM C	DIM D	VOID PIN LOCATION
87834-4013	40	48.26	58.42	55.88	53.34	20



SECTION A-A

NOTES:

- MATERIAL :
HOUSING : NYLON, GLASS FILED, UL94V-0, COLOR: BEIGE.
- PIN PUSHOUT FORCE (0.91 KG)/2 LBS MIN.
- PRODUCT SPECIFICATION PS-70246-100 APPLIES.
- WAFER TO BE .FLAT WITHIN 0.03MM/CM.
- DIMENSION FOR PLATING LOCATIONS : A - MEASURE POINT THICKNESS
B - MINIMUM COVERAGE
- GOLD END OF PIN UNLESS OVERALL PLATED.
- FINISH :
0.13um MIN GOLD FLASH OVER 1.02um MIN PD/NI IN SELECTED AREA. AND 2.5um MIN. TIN IN SELECTED AREA. OVER 1.27um MIN NICKEL OVERALL.
- FOR ILLUSTRATION PURPOSE A 10 CKT IS SHOWN.
- OPTIONAL LOCATION FOR WEEK/YEAR STAMP IF REQUIRED BY CUSTOMER.



RECOMMENDED PCB PATTERN

INITIAL RELEASE EC NO: S2007-0219 DRWN:SKANG CHKD:MLONG APPR:SKTOH 2006/09/05 2006/09/05 2006/09/06	QUALITY SYMBOLS ▽=0 ▽=0	GENERAL TOLERANCES (UNLESS SPECIFIED)		DIMENSION STYLE MM ONLY	SCALE NTS	DESIGN UNITS METRIC	THIRD ANGLE PROJECTION						
		4 PLACES ± --- ± ---	3 PLACES ± --- ± ---	2 PLACES ± 0.2 ± ---	1 PLACE ± --- ± ---	ANGULAR ± 1 °	DRAWN BY SKANG	DATE 2006/08/31	CHECKED BY MLONG	DATE 2006/09/04	APPROVED BY SKTOH	DATE 2006/09/04	TITLE C-GRID, SHROUDED WAFER SLOTTED W/IN-LINE POLARIZATION PEGS & VOID
		DRAFT WHERE APPLICABLE MUST REMAIN WITHIN DIMENSIONS		SEE TABLE		MOLEX INCORPORATED		DOCUMENT NO. SD-87834-057	SHEET NO. 1 OF 1				
		THIS DRAWING CONTAINS INFORMATION THAT IS PROPRIETARY TO MOLEX INCORPORATED AND SHOULD NOT BE USED WITHOUT WRITTEN PERMISSION											