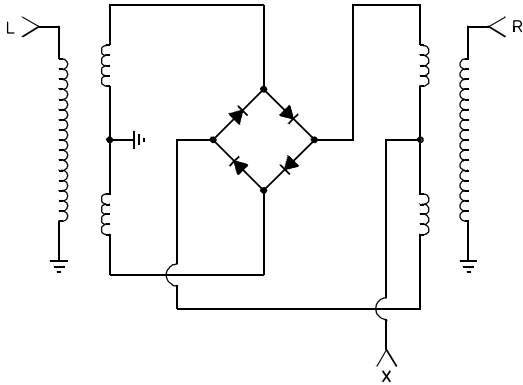


1500 to 4200 MHz / +7 to +13 dBm LO / Wideband / SMA Connectors

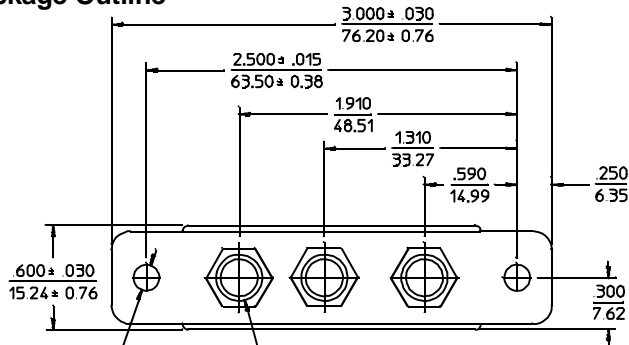


PRINCIPAL SPECIFICATIONS

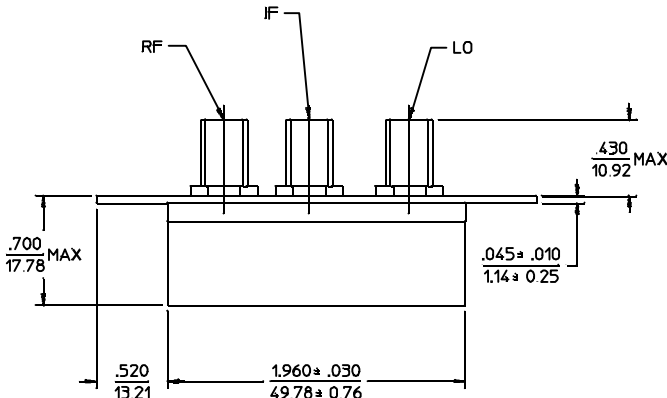
Model Number	RF/LO Frequency, MHz	IF Frequency, MHz	LO Drive dBm, Nom. (Range)	Conversion Loss, dB,		Port Isolation, L-R L-X		-1 dB Compr. Point	Input Intercept Point
				Max.	Typ.	Min.	Min.		
DMM-2A-2800	1500-4200	DC - 1000	+7 (+7 to 13)	9.0	7.0	25 dB	15 dB	0 dBm (typ)	+12 dBm (typ)

All specifications are as measured in a 50Ω system, at nominal LO power, in a downconverter application

Package Outline



(2) MTG. HOLES
 (3) CONNECTOR, RECEPTACLE, FEMALE, SMA TYPE, MATES WITH CONNECTOR, PLUG, MALE, PER MIL-C-39012



NOTES:
 1. Tolerance on 3 place decimals ± 0.20(.51) except as noted.
 2. Dimensions in inches over millimeters.

GENERAL SPECIFICATIONS

Impedance: 50 Ω nom.
 Noise Figure: Within ±1 dB of Conversion Loss
 Polarity Sense: Positive
 Weight: 1.5 oz (42 g)
 Operating Temperature: -55° to +85°C

General Notes:

1. The DMM-2A-2800 Double Balanced Mixer covers the frequency range of 1500 to 4200 MHz using coaxial techniques and special low barrier diodes in the ring modulator to produce a low level mixer with high performance.
2. Merrimac offers a broad selection of Double Balanced Mixers ideal for a variety of signal processing functions with frequencies ranging from 20 kHz to 20 GHz and for applications from routine to very special.
- 3 Merrimac mixers comply with MIL-M-28837 and may be supplied screened for compliance with additional specifications for military and space applications requiring the highest reliability.

29Apr96