

**PLEASE CHECK WWW.MOLEX.COM FOR LATEST PART INFORMATION**

**Part Number:** [0877343006](#)  
**Status:** **Active**  
**Overview:** [extreme\\_powerplus\\_ssi](#)  
**Description:** 6.35mm (.250") Pitch, Power, 2.54mm (.100") Pitch, Signal, EXTreme PowerPlus™ AC/DC Receptacle, P(A)AC-S-P(B)DC, Through Hole, Vertical, 0.76µm (30µ") Gold (Au), 26 Circuits, with Beveled Metal Pins, Lead free

**Documents:**

[3D Model](#) [Product Specification PS-87663-006 \(PDF\)](#)  
[Drawing \(PDF\)](#) [RoHS Certificate of Compliance \(PDF\)](#)

**General**

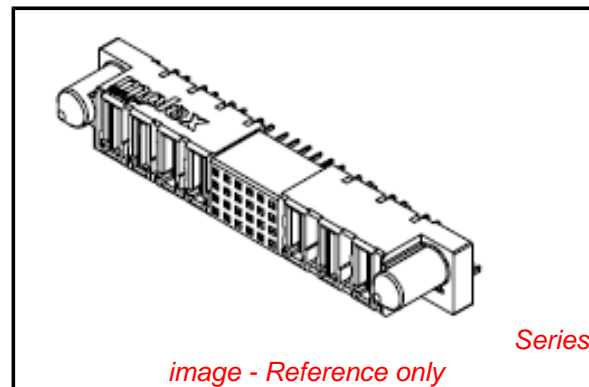
Product Family	PCB Receptacles
Series	87734
Application	Board-to-Board
Comments	Recessed Power Circuit Position: NIL
Overview	<a href="#">extreme_powerplus_ssi</a>
Product Name	EXTreme PowerPlus™

**Physical**

Circuits (Loaded)	26
Circuits Detail	Power Beta 6, Signal 16, Power Alpha 4
Color - Resin	Black
Glow-Wire Compliant	No
Guide to Mating Part	Yes
Lock to Mating Part	None
Material - Metal	Copper Alloy
Material - Plating Mating	Gold
Material - Plating Termination	Tin
Material - Resin	High Temperature Thermoplastic
Number of Rows	4
Orientation	Vertical
PC Tail Length (in)	0.135 In
PC Tail Length (mm)	3.43 mm
PCB Locator	No
PCB Retention	Yes
PCB Thickness Recommended (in)	0.092 In
PCB Thickness Recommended (mm)	2.43 mm
Packaging Type	Tray
Pitch - Mating Interface (in)	0.100 In, 0.250 In, 0.300 In
Pitch - Mating Interface (mm)	2.54 mm, 6.35 mm, 7.62 mm
Pitch - Term. Interface (in)	0.100 In, 0.125 In, 0.150 In, 0.200 In
Pitch - Term. Interface (mm)	2.54 mm, 3.18 mm, 3.81 mm, 5.08 mm
Plating min: Mating (µin)	30
Plating min: Mating (µm)	0.76
Plating min: Termination (µin)	100
Plating min: Termination (µm)	2.54
Polarized to Mating Part	Yes
Polarized to PCB	Yes
Stackable	No
Temperature Range - Operating	-20°C to +105°C
Termination Interface: Style	Through Hole

**Electrical**

Current - Maximum per Contact	2.5A, 30A, 50A
Voltage - Maximum	250V (RMS)



**EU RoHS**

**ELV and RoHS Compliant**  
**REACH SVHC**  
 Not Reviewed  
**Halogen-Free Status**

**China RoHS**



**Need more information on product environmental compliance?**

Email [productcompliance@molex.com](mailto:productcompliance@molex.com)  
 For a multiple part number RoHS Certificate of Compliance, [click here](#)

Please visit the [Contact Us](#) section for any non-product compliance questions.

**Search Parts in this Series**

[87734Series](#)

**Mates With**

[87663 PCB Header](#)

**Solder Process Data**

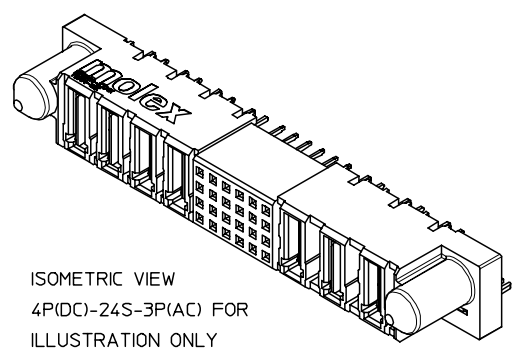
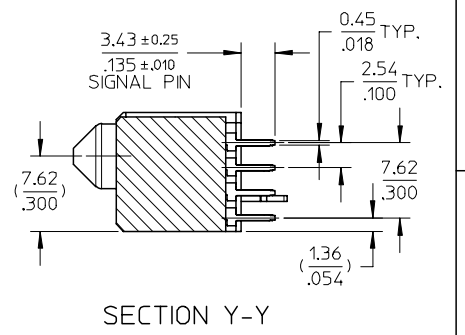
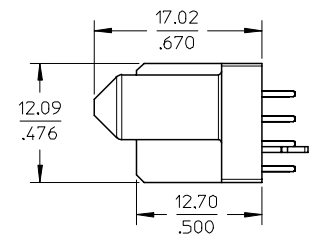
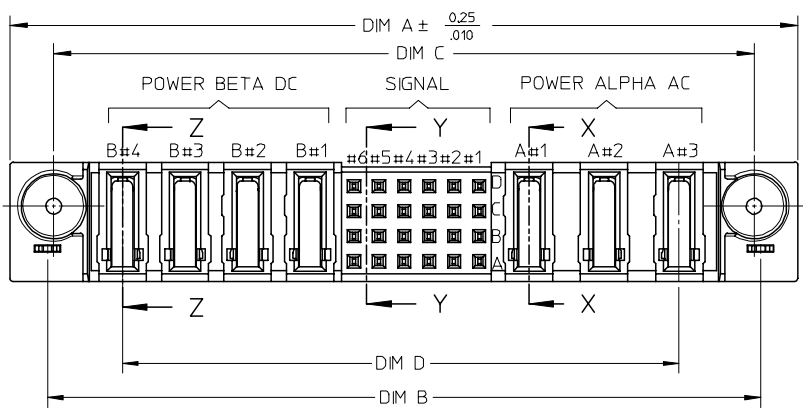
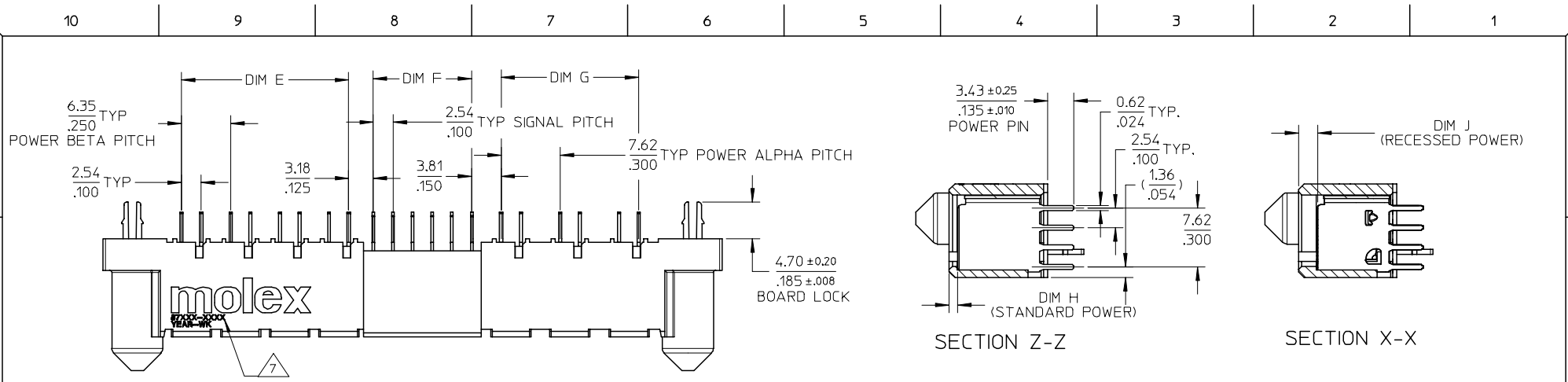
Duration at Max. Process Temperature (seconds)	10
Lead-free Process Capability	SMC & Wave Capable (TH only)
Max. Cycles at Max. Process Temperature	3
Process Temperature max. C	260

**Material Info****Reference - Drawing Numbers**

Application Specification	AS-87631-018
Product Specification	PS-87663-006
Sales Drawing	SD-87734-001

This document was generated on 05/22/2010

**PLEASE CHECK [WWW.MOLEX.COM](http://WWW.MOLEX.COM) FOR LATEST PART INFORMATION**



ISOMETRIC VIEW  
4P(DC)-24S-3P(AC) FOR  
ILLUSTRATION ONLY

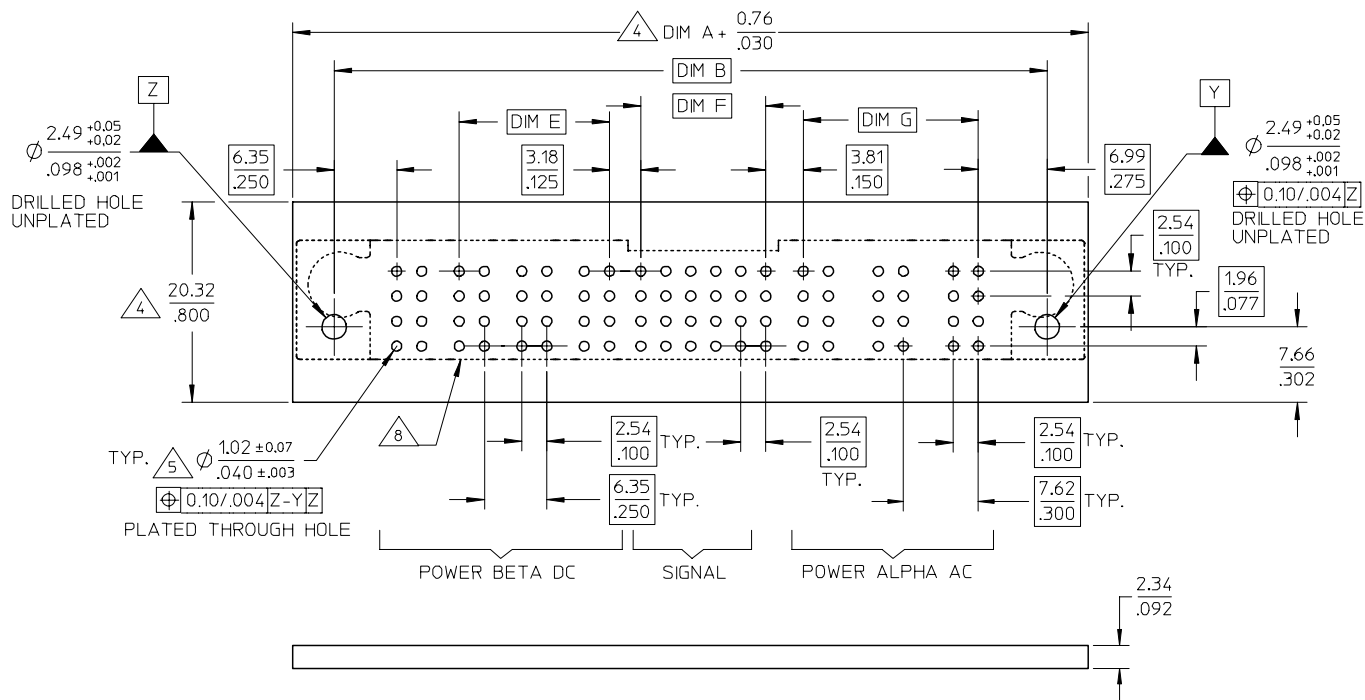
PDR#S-001560-00-00	DESCRIPTION
EC NO: S2007-0866	2007/04/13
DRWN:GMENARLY	2007/04/13
CHKD:SKANG	2007/04/13
APPR:MLONG	2007/04/13
D4	REV

QUALITY SYMBOLS	▽=0
	▽C=0

GENERAL TOLERANCES (UNLESS SPECIFIED)	
mm	INCH
4 PLACES ± ---	± ---
3 PLACES ± ---	± .005
2 PLACES ± 0.13	± .010
1 PLACE ± 0.25	± ---
ANGULAR ± 3 °	
DRAFT WHERE APPLICABLE MUST REMAIN WITHIN DIMENSIONS	

DIMENSION STYLE	
MM/IN	
DRAWN BY	DATE
KMGOH	2002/11/08
CHECKED BY	DATE
PTL IM	2002/11/12
APPROVED BY	DATE
SKTOH	2002/11/13
MATERIAL NO.	
SEE TABLE	
SIZE	A3

SCALE	DESIGN UNITS	THIRD ANGLE PROJECTION
NTS	METRIC	
TITLE		SHEET NO.
AC/DC POWER RECEPTACLE P(A)AC-S-P(B)DC CONFIG. VERTICAL T/H, BOARD-LOCK		1 OF 3
MOLEX INCORPORATED		
DOCUMENT NO.		
SD-87734-001		



CONNECTOR - NOTES

1. MATERIALS :

HOUSING - LCP, GLASS FILLED,  
UL 94V-0, COLOR: BLACK.  
POWER PIN - COPPER ALLOY

2. PLATING :

POWER CONTACTS  
0.76 MICROMETER MINIMUM GOLD (Au) AT CONTACT AREA AND  
2.54 MICROMETER MINIMUM TIN AT SOLDERTAIL AREA  
OVER 1.27µm MIN. NICKEL (Ni) UNDERPLATE.

3. PRODUCT SPECIFICATION: PS-87663-006.

4. COMPONENT STAY AWAY ZONE FROM CONNECTOR.

5. PCB NOTE FOR DIAMETER 1.02/0.40 PLATED HOLE.

- DRILLED HOLE SIZE IS 1.151/0.453

- PLATE WITH 0.007/0.0003 MINIMUM TIN OVER 0.03/0.001  
TO 0.08/0.003 COPPER PLATING TO ACHIEVE 1.02±0.08/0.40±0.003 HOLE.

SEE SHEET 2 FOR RECOMMENDED PCB LAYOUT.

6. 4P(B)-24S-3P(A) CONFIGURATION IS SHOWN FOR ILLUSTRATION ONLY.

7. MANUFACTURER LOGO, PART NUMBER AND YEAR-WEEK CODE.

8. IMAGINARY LINE & DIMENSION TO POSITION AND PROVIDE  
CONNECTOR ORIENTATION W.R.T. TO PCB LAYOUT.

RECOMMENDED PCB LAYOUT

PDR#S-001560-00-00 EC NO: S2007-0866 2007/04/13 DRWN:GMENARLY CHKD:SKANG 2007/04/13 APPR:MLONG 2007/04/13	QUALITY SYMBOLS ▽=0 ▽=0	GENERAL TOLERANCES (UNLESS SPECIFIED)		DIMENSION STYLE MM/IN		SCALE NTS	DESIGN UNITS METRIC	THIRD ANGLE PROJECTION	
		4 PLACES ± --- ± ---	3 PLACES ± --- ± .005	2 PLACES ± 0.13 ± .010	1 PLACE ± 0.25 ± ---	ANGULAR ± 3 °	DRAWN BY KMG0H DATE 2002/11/08	TITLE AC/DC POWER RECEPTACLE P(A)AC-S-P(B)DC CONFIG. VERTICAL T/H, BOARD-LOCK	MOLEX INCORPORATED
D4	REV	DRAFT WHERE APPLICABLE MUST REMAIN WITHIN DIMENSIONS		SEE TABLE		DOCUMENT NO. SD-87734-001		SHEET NO. 2 OF 3	
		THIS DRAWING CONTAINS INFORMATION THAT IS PROPRIETARY TO MOLEX INCORPORATED AND SHOULD NOT BE USED WITHOUT WRITTEN PERMISSION							

PART NUMBER	P-S-P CONFIGURATION			RECESSED POWER CIRCUIT #	VOID SIGNAL PIN#	DIM A	DIM B	DIM C	DIM D	DIM E	DIM F	DIM G	DIM H STANDARD	DIM J RECESSED	BOARDLOCK OPTION	PACKAGING
	POWER BETA DC	SIGNAL	POWER ALPHA AC													
87734-3002	4	24	3	A1,A3,B1,B2	NIL	80.01 3.150	72.39 2.850	71.12 2.800	56.52 2.225	21.59 .850	12.70 .500	17.78 .700	1.07 .042	2.34 .092	YES	TRAY
87734-3003	5	24	3	ALL EXCEPT A1	NIL	86.36 3.400	78.74 3.100	77.47 3.05	62.87 2.475	27.94 1.100	12.70 .500	17.78 .700	1.07 .042	2.34 .092	NO	TRAY
87734-3004	4	16	4	ALL EXCEPT A1 & A2	NIL	82.55 3.250	74.93 2.950	73.66 2.900	59.06 2.325	21.59 .850	7.62 .300	25.40 1.000	1.07 .042	2.34 .092	YES	TRAY
87734-3005	5	24	3	A1,B3,B4,B5	NIL	86.36 3.400	78.74 3.100	77.47 3.05	62.87 2.475	27.94 1.100	12.70 .500	17.78 .700	1.07 .042	2.34 .092	NO	TRAY
87734-3006	6	16	4	NIL	NIL	95.25 3.750	87.63 3.450	86.36 3.400	71.76 2.825	34.29 1.350	7.62 .300	25.40 1.000	1.07 .042	2.34 .092	YES	TRAY
87734-3007	5	24	3	A2,A3,B1,B2	A1,B1,C1,D1, A2,B2,C2,D2, A3,B3,C3,D3	86.36 3.400	78.74 3.100	77.47 3.05	62.87 2.475	27.94 1.100	12.70 .500	17.78 .700	1.07 .042	2.34 .092	NO	TRAY

PDR#S-001560-00-00 EC NO: S2007-0866 DRWN:GEMENARLY 2007/04/13 CHKD:SKANG 2007/04/13 APPR:MLONG 2007/04/13	QUALITY SYMBOLS	GENERAL TOLERANCES (UNLESS SPECIFIED)	DIMENSION STYLE	SCALE	DESIGN UNITS	THIRD ANGLE PROJECTION															
	$\nabla = 0$ $\triangle = 0$	<table border="1"> <tr> <th></th> <th>mm</th> <th>INCH</th> </tr> <tr> <td>4 PLACES</td> <td><math>\pm .005</math></td> <td><math>\pm .0005</math></td> </tr> <tr> <td>3 PLACES</td> <td><math>\pm .010</math></td> <td><math>\pm .0010</math></td> </tr> <tr> <td>2 PLACES</td> <td><math>\pm 0.13</math></td> <td><math>\pm .010</math></td> </tr> <tr> <td>1 PLACE</td> <td><math>\pm 0.25</math></td> <td><math>\pm .010</math></td> </tr> </table>		mm	INCH	4 PLACES	$\pm .005$	$\pm .0005$	3 PLACES	$\pm .010$	$\pm .0010$	2 PLACES	$\pm 0.13$	$\pm .010$	1 PLACE	$\pm 0.25$	$\pm .010$	MM/IN	NTS	METRIC	
		mm	INCH																		
	4 PLACES	$\pm .005$	$\pm .0005$																		
3 PLACES	$\pm .010$	$\pm .0010$																			
2 PLACES	$\pm 0.13$	$\pm .010$																			
1 PLACE	$\pm 0.25$	$\pm .010$																			
DESCRIPTION	DRAFT WHERE APPLICABLE MUST REMAIN WITHIN DIMENSIONS	SEE TABLE	DRAWN BY DATE KMG0H 2002/11/08 CHECKED BY DATE PTL IM 2002/11/12 APPROVED BY DATE SKT0H 2002/11/13		TITLE AC/DC POWER RECEPTACLE P(A)AC-S-P(B)DC CONFIG. VERTICAL T/H, BOARD-LOCK MOLEX INCORPORATED																
REV			MATERIAL NO.	DOCUMENT NO.	SHEET NO.																
D4				SD-87734-001	3 OF 3																