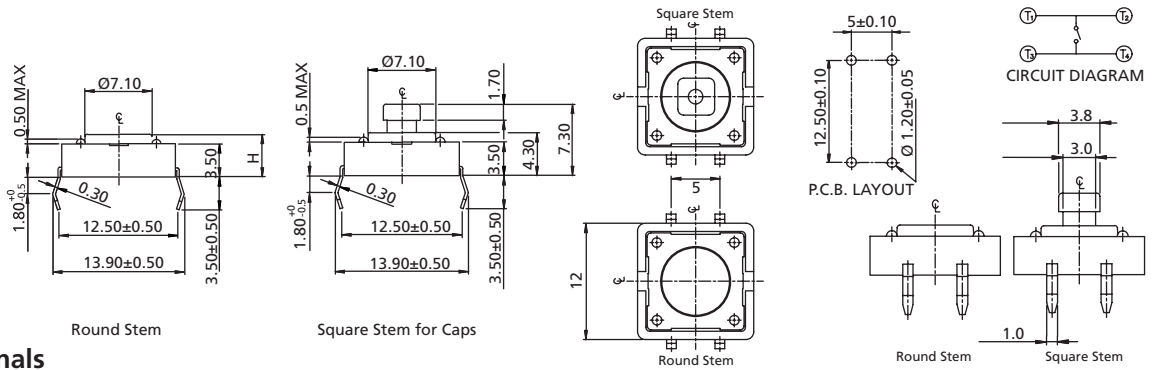


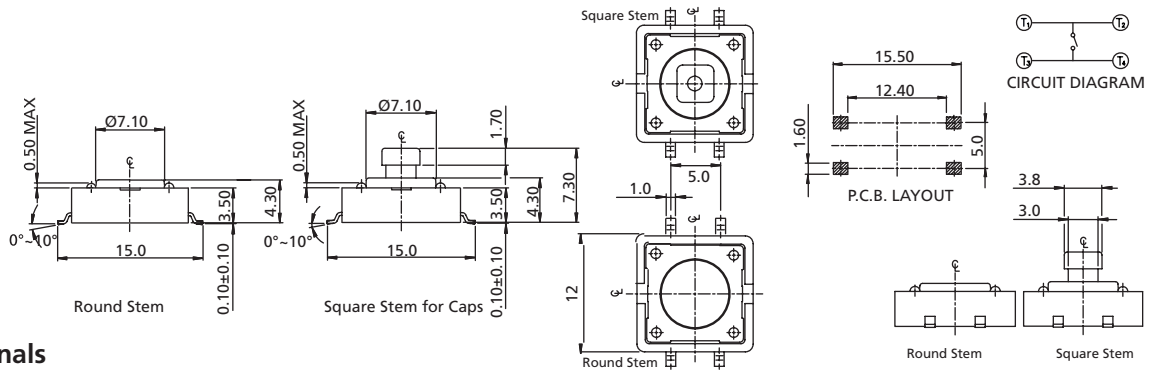
Tactile Switches

Standard 12 x 12 mm Tactile Switches

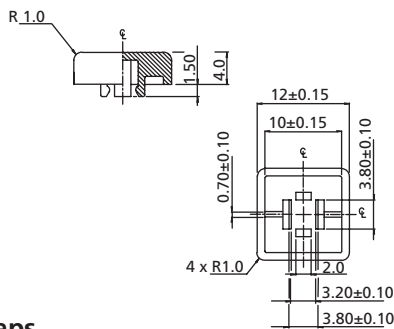
TP4 Series



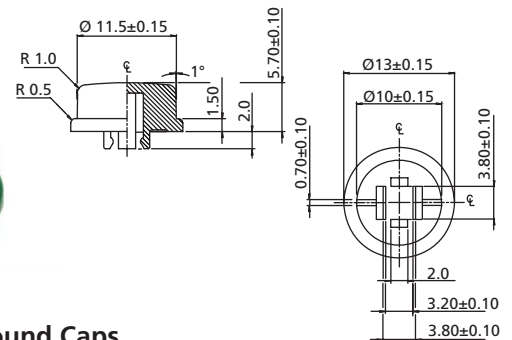
TP4H THT Terminals



TP4S SMT Terminals



K12S Square Caps



K12R Round Caps

How to order:

TP4 + (Caps)

- | | |
|--|----------------------------|
| 1 TYPE OF TERMINALS: | 6 PACKAGE STYLE: |
| H THT | BK Bulk Pack (TP4H Only) |
| S SMT | TB Tube |
| | TR Tape & Reel (TP4S Only) |
| 2 POST (TP4H only) | Optional: |
| No Code Without Post | |
| P With Post | 7 CAP TYPE |
| | (Only for Square Stems): |
| 3 DIMENSION "H": | K12S Square Caps |
| 1 H=4.3mm (Round Stem) | K12R Round Caps |
| 4 H=7.3mm (Square Stem 3.8mm) | |
| 5 H=8.5mm (Round Stem) | |
| Individual stem heights available by request | 8 COLOR OF CAPS: |
| 4 STEM COLOR & OPERATING FORCE: | A Black |
| K Brown & 160±50gf | B Ivory |
| C Red & 260±50gf | C Red |
| J Salmon & 320±80gf | E Yellow |
| E Yellow & 520±130gf | F Green |
| 5 MATERIALS OF DOME: | G Blue |
| N Phosphor Bronze Dome | H Gray |
| S Stainless Steel Dome | S Salmon |
| (Only for 160gf & 260gf) | |

General Tolerance: ± 0.2 mm

General Specifications:

MATERIALS

- » Contact Disc: Phosphor Bronze with silver cladding
- » Terminal: Brass with silver plated

MECHANICAL

- » Stroke: 0.35 ± 0.1 mm
- » Operation Temperature: -25°C to +70°C
- » Storage Temperature: -30°C to +80°C

ELECTRICAL

- » Electrical Life:
 - Phosphor Bronze Dome: 100,000 cycles for 520gf, 320gf & 260gf
 - 200,000 cycles for 160gf
 - Stainless Steel Dome: 500,000 cycles for 260gf
 - 1,000,000 cycles for 160gf
- » Rating: 50mA, 12VDC
- » Contact Arrangement: 1 pole 1 throw

LEADFREE SOLDERING PROCESSES

- » Wave Soldering: Recommended solder temperature at 260°C max. 5 seconds subject to PCB 1.6mm thickness (for THT).
- » Reflow Soldering: When applying reflow soldering, the peak temperature or the reflow oven should be set to 260°C max. 10 seconds (for SMT).