



LM317L

LINEAR INTEGRATED CIRCUIT

LOW CURRENT 1.25V TO 37V ADJUSTABLE VOLTAGE REGULATOR

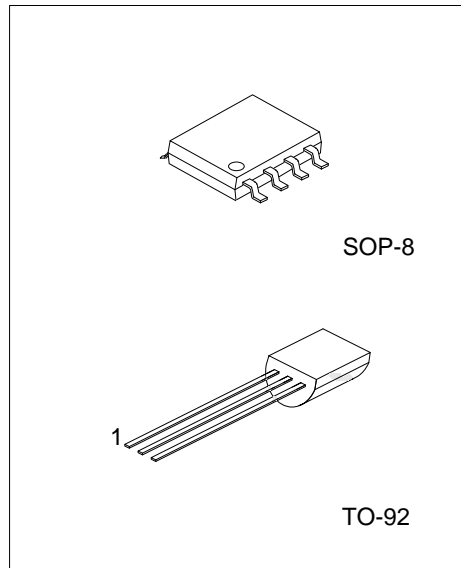
■ DESCRIPTION

The UTC **LM317L** is a monolithic integrated circuit, designed to supply 100mA of output current with voltage adjustable from 1.25V ~ 37V.

■ FEATURES

- *Output voltage adjustable from 1.25V ~ 37V.
- *Output current in excess of 100mA
- *Internal thermal overload protection
- *Internal short circuit current limiting
- *Output transistor safe area compensation

■ ORDERING INFORMATION



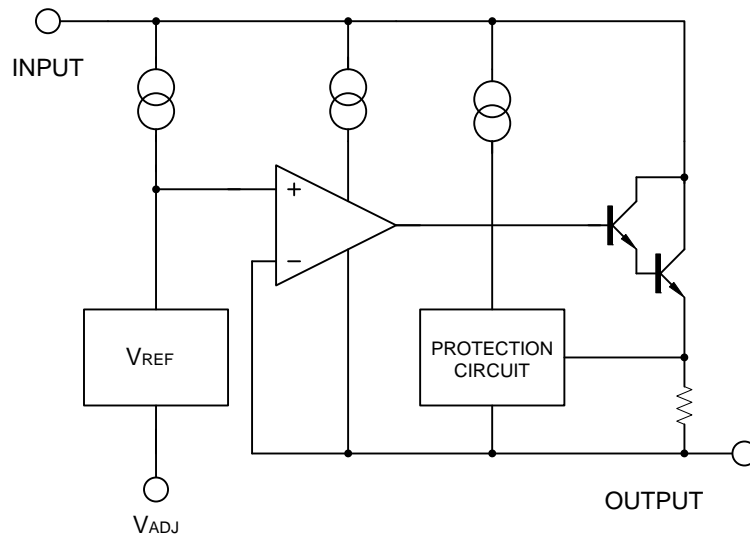
Lead-free: LM317LK
Halogen-free: LM317LG

Ordering Number			Package	Pin Assignment								Packing
Normal	Lead Free	Halogen Free		1	2	3	4	5	6	7	8	
LM317L-T92-B	LM317LK-T92-B	LM317LG-T92-B	TO-92	A	O	I	-	-	-	-	-	Tape Box
LM317L-T92-K	LM317LK-T92-K	LM317LG-T92-K	TO-92	A	O	I	-	-	-	-	-	Bulk
LM317L-S08-R	LM317LK-S08-R	LM317LG-S08-R	SOP-8	I	O	O	A	N	O	O	N	Tape Reel
LM317L-S08-T	LM317LK-S08-T	LM317LG-S08-T	SOP-8	I	O	O	A	N	O	O	N	Tube

Note: Pin Assignment: A:ADJ I:V_{IN} O:V_{OUT} N: No Connection

<p>LM317LK-T92-B</p> <p>(1)Packing Type (2)Package Type (3)Lead Plating</p>	<p>(1) B: Tape Box, K: Bulk, R: Tape Reel, T: Tube (2) T92: TO-92, S08: SOP-8 (3) G: Halogen Free, K: Lead Free, Blank: Pb/Sn</p>
---	---

■ BLOCK DIAGRAM



■ ABSOLUTE MAXIMUM RATINGS

PARAMETER	SYMBOL	RATING	UNIT
Input-Output Differential Voltage	$V_{IN}-V_{OUT}$	40	V
Power Dissipation	P_D	Internally Limited	
Junction Temperature	T_J	+125	°C
Operating Junction Temperature	T_{OPR}	-40 ~ +85	°C
Storage Temperature Range	T_{STR}	-40 ~ +150	°C

Note: Absolute maximum ratings are those values beyond which the device could be permanently damaged. Absolute maximum ratings are stress ratings only and functional device operation is not implied.

■ ELECTRICAL CHARACTERISTICS

($V_{IN}-V_{OUT}=5V$, $I_{OUT}=40mA$, $T_a=25^{\circ}C$, unless otherwise specified.)

PARAMETER	SYMBOL	TEST CONDITIONS	MIN	TYP	MAX	UNIT	
Line Regulation	$\Delta V_{OUT}/V_{OUT}$	$3V \leq V_{IN}-V_{OUT} \leq 40V$, $I_{LOAD} < 20mA$		0.01	0.04	%/V	
Load Regulation	ΔV_{OUT}	$5mA \leq I_{OUT} \leq 100mA$	$V_{OUT} \leq 5V$	5	25	mV	
			$V_{OUT} \geq 5V$	0.1	0.5	%	
Adjustable Pin Current	I_{ADJ}			50	100	μA	
Adjustable Pin Current Change	ΔI_{ADJ}	$3V \leq V_{IN}-V_{OUT} \leq 40V$, $5mA \leq I_{OUT} \leq 100mA$, $P_D < 625mW$		0.2	5	μA	
Reference Voltage	V_{REF}	$3V \leq V_{IN}-V_{OUT} \leq 40V$, $5mA \leq I_{OUT} \leq 100mA$, $P_D < 625mW$	1.20	1.25	1.30	V	
Temperature Stability		$T_{MIN} \leq T_J \leq T_{MAX}$		0.7		%/ V_{OUT}	
Minimum Load Current for Regulation	$I_{L(MIN)}$	$V_{IN}-V_{OUT}=40V$		3.5	10	mA	
Maximum Output Current	$I_{O(MAX)}$	$V_{IN}-V_{OUT}=40V$, $P_D \leq 625mW$		50		mA	
RMS Noise vs. %of V_{OUT}	eN	$10Hz \leq f \leq 10KHz$		0.003	0.01	%/ V_{OUT}	
Ripple Rejection	RR	$V_{OUT}=10V, f=120Hz$,	$C_{ADJ}=0$		65		dB
			$C_{ADJ}=10\mu F$	66	80		dB

Note: C_{ADJ} is connected between Adjust pin and Ground.

APPLICATION CIRCUITS

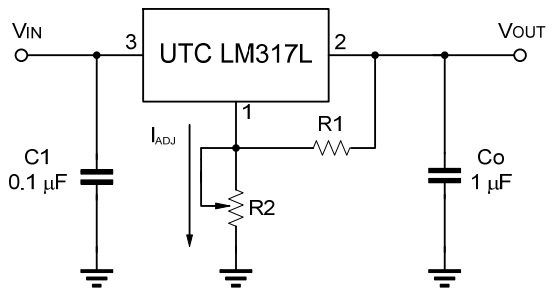


Fig.1 Programmable voltage regulator

$$V_{OUT} = 1.25V \cdot (1 + R2/R1) + I_{ADJ} \cdot R2$$

C1 is required when regulator is located an appreciated distance from power supply. Co is needed to improve transient response.

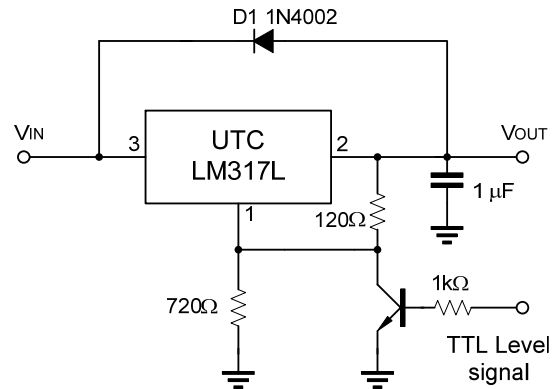


Fig.2 Regulator with On-off control

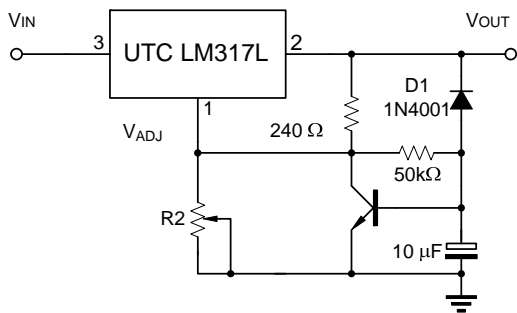
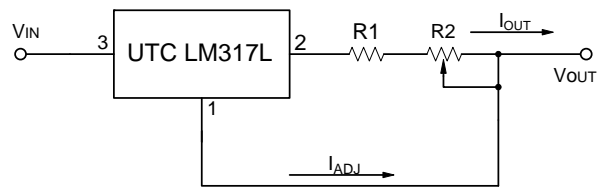


Fig.3 Soft Start Application



$$I_{O(MAX)} = \left(\frac{V_{REF}}{R1} \right) + I_{ADJ} = \frac{1.25V}{R1}$$

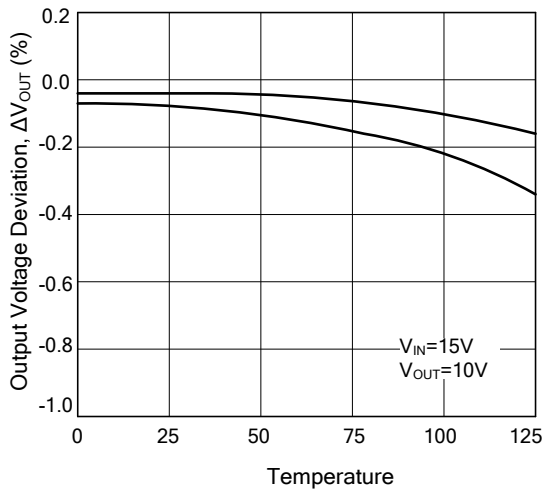
$$I_{O(MIN)} = \left(\frac{V_{REF}}{R1+R2} \right) + I_{ADJ} = \frac{1.25V}{R1+R2}$$

$$5mA < I_{OUT} < 100mA$$

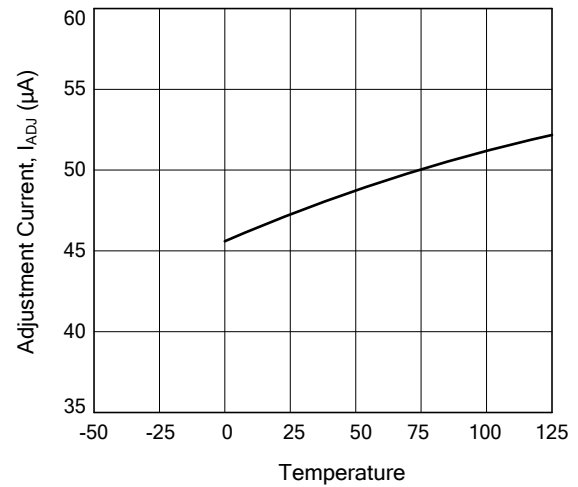
Fig.4 Constant Current Application

TYPICAL CHARACTERISTICS

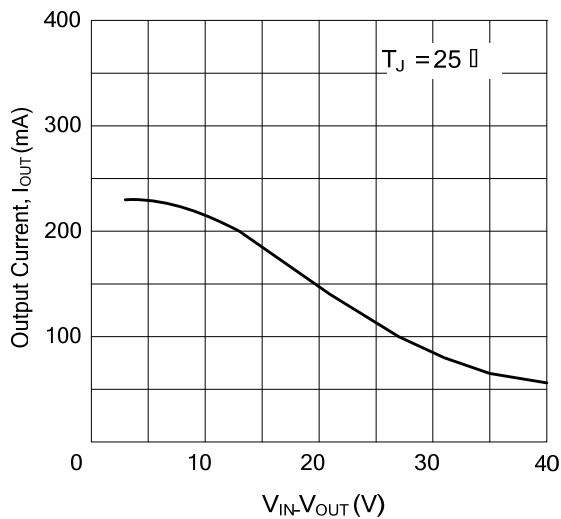
Load Regulation vs. temperature



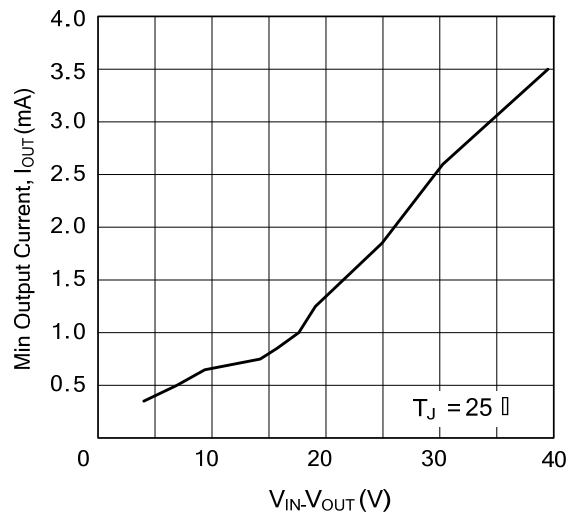
Adjustment Current vs. Temperature



Current Limit



Minimum Operating Current



UTC assumes no responsibility for equipment failures that result from using products at values that exceed, even momentarily, rated values (such as maximum ratings, operating condition ranges, or other parameters) listed in products specifications of any and all UTC products described or contained herein. UTC products are not designed for use in life support appliances, devices or systems where malfunction of these products can be reasonably expected to result in personal injury. Reproduction in whole or in part is prohibited without the prior written consent of the copyright owner. The information presented in this document does not form part of any quotation or contract, is believed to be accurate and reliable and may be changed without notice.