

**PLEASE CHECK WWW.MOLEX.COM FOR LATEST PART INFORMATION**

**Part Number:** **0476323000**  
**Status:** **Active**  
**Overview:** high definition multimedia interface hdmi  
**Description:** 0.50mm (.020") Pitch HDMI\* Receptacle, Vertical, SMT, without Flange, with Pick-and-Place Cover, Gold (Au) Flash Plating, 19 Circuits, Tray Packaging, Lead free

**Documents:**

[Drawing \(PDF\)](#) [RoHS Certificate of Compliance \(PDF\)](#)  
[Product Specification PS-47632-001 \(PDF\)](#)

**General**

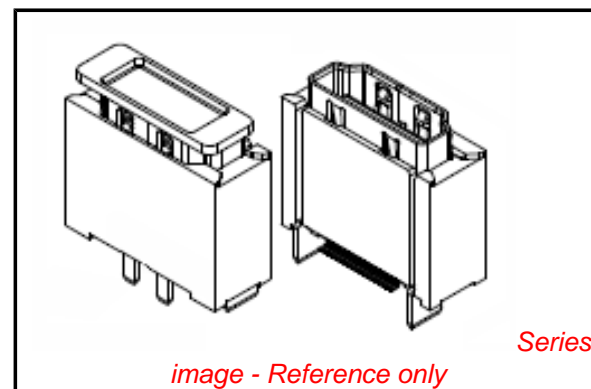
Product Family	I/O Connectors
Series	<u>47632</u>
Application	Wire-to-Board
Comments	Without Flange
Component Type	Receptacle
Overview	<u>high definition multimedia interface hdmi</u>
Product Name	HDMI
Type	N/A

**Physical**

Boot Color	N/A
Circuits (Loaded)	19
Circuits (maximum)	19
Color - Resin	Black
Gender	Male
Keying to Mating Part	Yes
Lock to Mating Part	Yes
Material - Metal	Copper Alloy
Material - Plating Mating	Gold
Material - Plating Termination	Tin-Bismuth
Material - Resin	High Temperature Thermoplastic
Number of Rows	2
Orientation	Vertical
PCB Locator	Yes
PCB Retention	Yes
Packaging Type	Tray
Panel Mount	Without Flange
Pitch - Mating Interface (in)	0.020 In
Pitch - Mating Interface (mm)	0.50 mm
Pitch - Term. Interface (in)	0.020 In
Pitch - Term. Interface (mm)	0.50 mm
Plating min: Mating (µin)	2
Plating min: Mating (µm)	0.05
Plating min: Termination (µin)	0.025
Plating min: Termination (µm)	1
Polarized to Mating Part	Yes
Polarized to PCB	Yes
Ports	1
Temperature Range - Operating	-20°C to +85°C
Termination Interface: Style	Surface Mount
Waterproof / Dustproof	No
Wire Size AWG	N/A

**Electrical**

Current - Maximum per Contact	0.5A
-------------------------------	------



**EU RoHS**

**ELV and RoHS  
Compliant**  
**REACH SVHC  
Not Reviewed**  
**Halogen-Free  
Status**

**China RoHS**



**Need more information on product  
environmental compliance?**

Email [productcompliance@molex.com](mailto:productcompliance@molex.com)  
 For a multiple part number RoHS Certificate of Compliance, [click here](#)

Please visit the [Contact Us](#) section for any non-product compliance questions.

**Search Parts in this Series**  
 47632Series

Voltage - Maximum

40V DC

**Material Info**

**Reference - Drawing Numbers**

Packaging Specification

PK-47632-003

Product Specification

PS-47632-001, RPS-47632-001

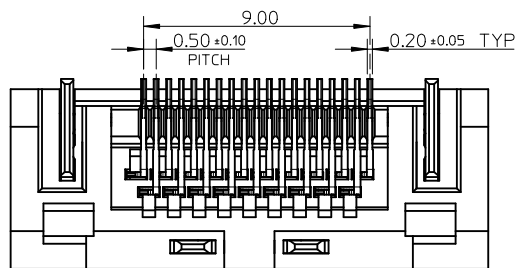
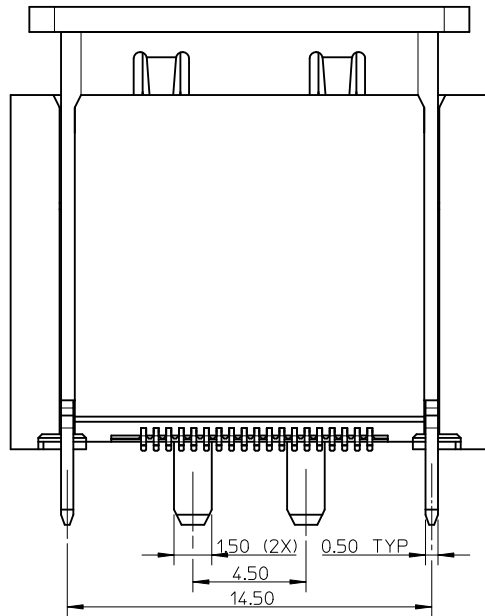
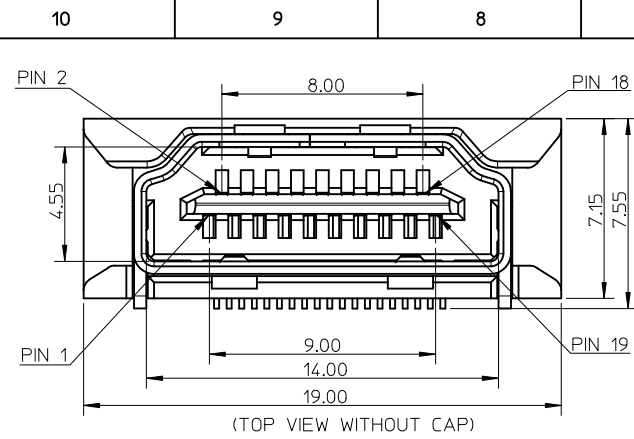
Sales Drawing

SD-47632-300

\* High Definition Multimedia Interface and HDMI are trademarks of HDMI Licensing, LLC.

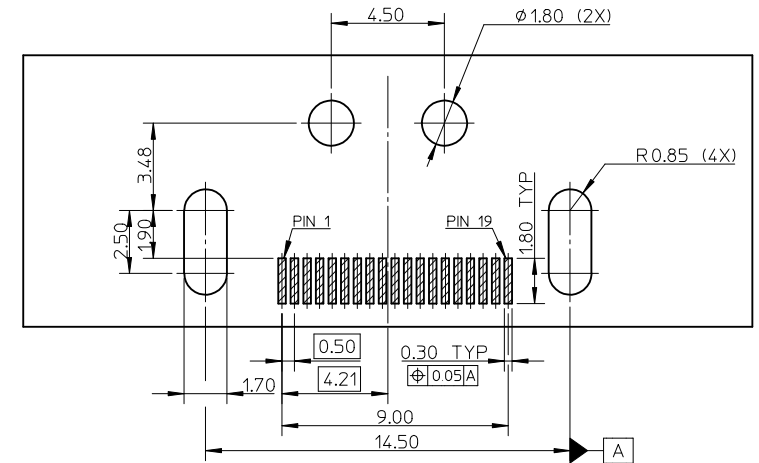
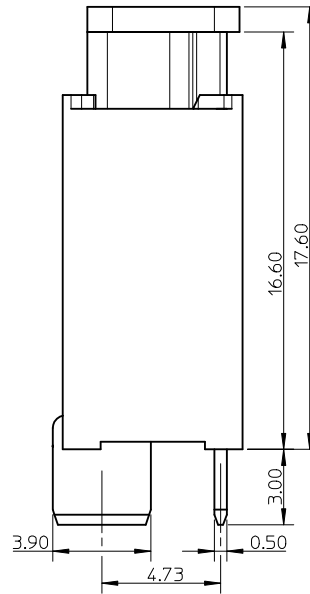
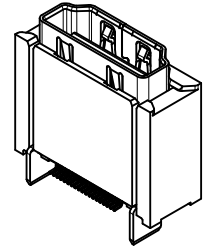
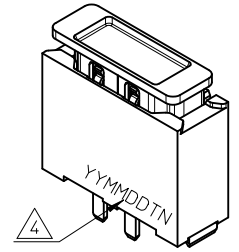
This document was generated on 05/19/2010

**PLEASE CHECK [WWW.MOLEX.COM](http://WWW.MOLEX.COM) FOR LATEST PART INFORMATION**



NOTES:

1. MATERIAL:  
HOUSING/COVER: HIGH TEMPERATURE THERMAL PLASTIC. COLOR: BLACK.  
SHELL: COPPER ALLOY.  
TERMINAL: COPPER ALLOY.
2. PLATING:  
TERMINAL:  
CONTACT AREA: GOLD FLASH.  
SOLDER AREA: 1 MICROMETER MIN. TIN-BISMUTH ALLOY PLATED.  
UNDER PLATE: 1.27 MICROMETER MIN. NICKEL.  
SHELL: 3 MICROMETER MIN. MATTE TIN PLATING OVERALL.
3. COPLANARITY: 0.10mm MAX .
4. DATE CODE: YY: YEAR; MM: MONTH; DD: DAY; T: TIME, A=DAYTIME, B=NIGHT; N: LINE, 1=LINE 1, 2=LINE 2...
5. PRODUCT SPECIFICATION REFER TO PS-47632-001.
6. PACKAGE SPECIFICATION REFER TO PK-47632-003.
7. PRODUCT COMPLIANT TO RoHS DIRECTIVE 2002/95/EC AND ELV DIRECTIVE 2000/53/EC.



RECOMMENDED PCB LAYOUT (CONNECTOR SIDE)  
THICKNESS=1.60mm, GENERAL TOLERANCE: ±0.05

<b>NEW RELEASE.</b> EC NO: SH2010-0165 DRWN:XZHZHANG CHKD:GLLI APPR:XJSONG	2009/11/03 2009/11/03 2010/01/28	DESCRIPTION REV	QUALITY SYMBOLS $F_A=0$ $F_E=0$ $F_B=0$	GENERAL TOLERANCES (UNLESS SPECIFIED) <table border="1"> <thead> <tr> <th></th> <th>mm</th> <th>INCH</th> </tr> </thead> <tbody> <tr> <td>4 PLACES</td> <td>± ---</td> <td>± ---</td> </tr> <tr> <td>3 PLACES</td> <td>± ---</td> <td>± ---</td> </tr> <tr> <td>2 PLACES</td> <td>± 0.20</td> <td>± ---</td> </tr> <tr> <td>1 PLACE</td> <td>± 0.30</td> <td>± ---</td> </tr> </tbody> </table>		mm	INCH	4 PLACES	± ---	± ---	3 PLACES	± ---	± ---	2 PLACES	± 0.20	± ---	1 PLACE	± 0.30	± ---	DIMENSION STYLE <b>MM ONLY</b>	SCALE <b>5:1</b>	DESIGN UNITS <b>METRIC</b>	THIRD ANGLE PROJECTION
		mm	INCH																				
	4 PLACES	± ---	± ---																				
	3 PLACES	± ---	± ---																				
2 PLACES	± 0.20	± ---																					
1 PLACE	± 0.30	± ---																					
				DRAWN BY CWTANG	DATE 2009/01/05	TITLE <b>HDMI RECEPTACLE          VERTICAL SMT TYPE          WITHOUT FLANGE</b>																	
				CHECKED BY XJSONG	DATE 2009/01/05	<b>MOLEX INCORPORATED</b>																	
				APPROVED BY XJSONG	DATE 2010/01/26	MATERIAL NO. <b>47632-3000</b>	DOCUMENT NO. <b>SD-47632-300</b>	SHEET NO. <b>1 OF 1</b>															

DRAFT WHERE APPLICABLE  
MUST REMAIN  
WITHIN DIMENSIONS

SIZE  
A3

THIS DRAWING CONTAINS INFORMATION THAT IS PROPRIETARY TO MOLEX INCORPORATED AND SHOULD NOT BE USED WITHOUT WRITTEN PERMISSION