

Features

- Overvoltage/lightning protection to ITU-T K.20
- Standard “off-the-shelf” design
- Typical application is secondary protection on telecom line cards

BOURNS®

4A12P-506-500 - Surge Line Protection Module

Matched Pair of Resistors plus Thermal Fuse

Electrical Characteristics

Resistance Values (R1 = R2)	50 Ω
Resistance Tolerance	±1 %
TCR	100 ppm/°C
Ratio Tolerance	±0.5 %
Power Dissipation (per resistor) @ 25 %	2 W
Temperature Range	-40 °C to +85 °C

Physical Characteristics

Body Style	Dual in line SMD - twin pack
Substrate Material	96 % Alumina
Lead Frame Material	Copper, solder coated
Flammability	Conforms to UL94V-0
Processability	Unit is only suitable for no-clean processing
Convection Reflow	Unit will withstand 260 °, 20 seconds
Packaging	16 " diameter reels, 44mm tape, 250 pcs./reel

Functional Characteristics

Lightning Surge Test	10 x 700 μSec, 1 KV
Power Induction	300 Vrms
Power Contact	220 Vrms

How To Order

4A 12 P - 506 - 500

Model _____	4A	12	P	506	500
(4A = Surface Mount)					
Number of Pins _____					
Physical Configuration _____					
Electrical Configuration _____					
506 = Matched Pair of Resistors plus Thermal Fuse					
Resistance Code _____					
• 500 = 50 Ω					



Reliable Electronic Solutions

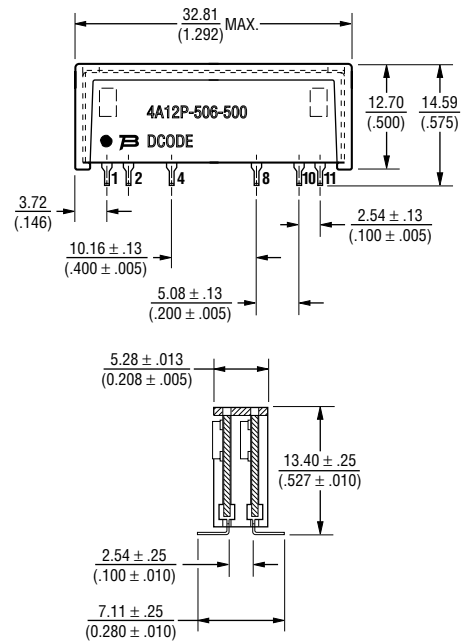
Asia-Pacific: TEL +886- (0)2 25624117 • FAX +886- (0)2 25624116

Europe: TEL +41-41 7685555 • FAX +41-41 7685510

North America: TEL +1-909 781-5500 • FAX +1-909 781-5700

bourns.com

Product Dimensions



DIMENSIONS: $\frac{\text{MILLIMETERS}}{\text{(INCHES)}}$

Electrical Schematic

