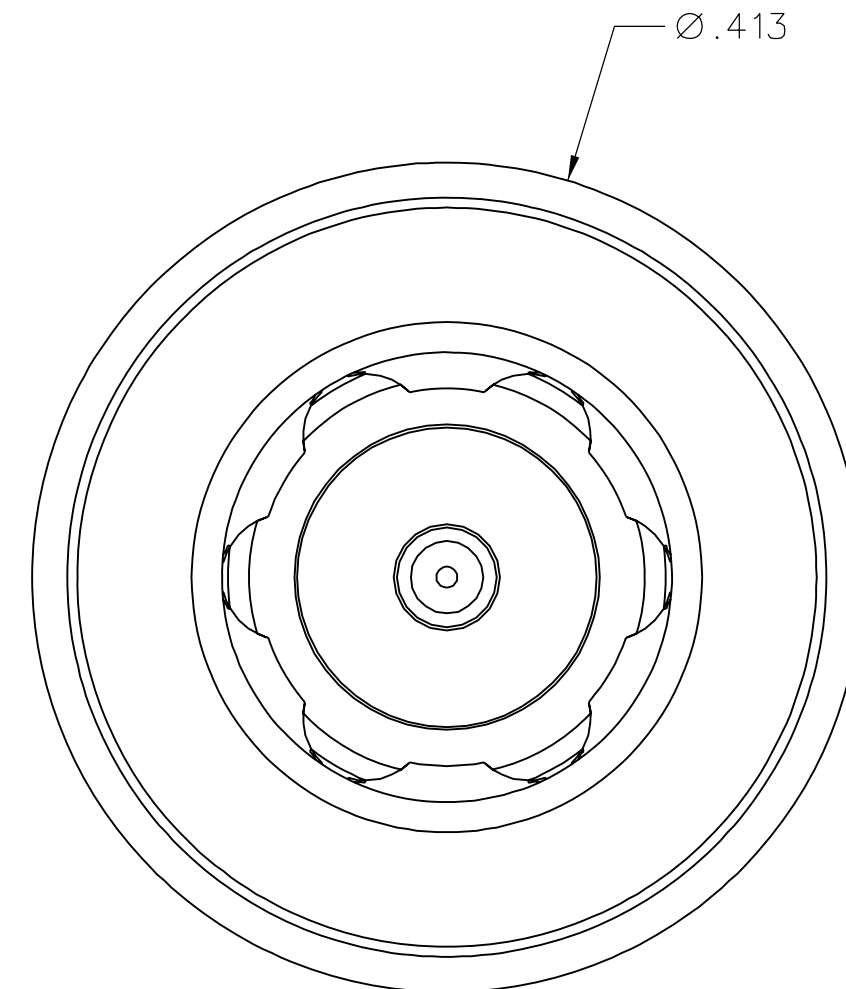
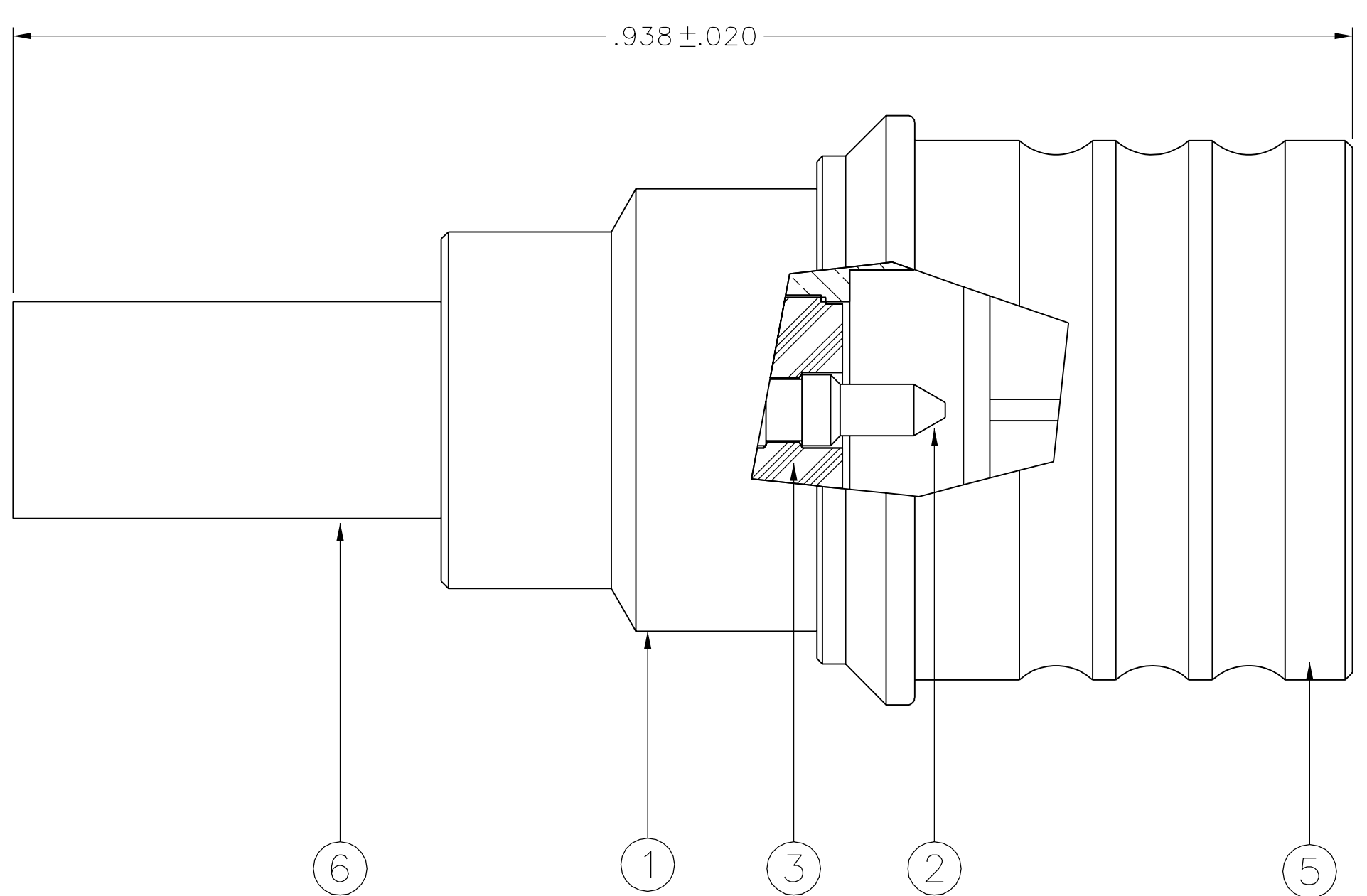


PART NUMBER	ITEM ① BODY	ITEM ② CONTACT	ITEM ③ INSULATOR	ITEM ④ COUPLING DEVICE	ITEM ⑤ DE-COUPLING SLIDER	ITEM ⑥ CRIMP SLEEVE
146-0403-007	BRASS TRI-ALLOY PL .0001 MIN OVER	BRASS GOLD PL .00005 MIN OVER NICKEL PL .00005 MIN OVER COPPER PL .00005 MIN	TEFLON	BERYLLIUM COPPER TRI-ALLOY PL .0001 MIN OVER	BRASS TRI-ALLOY PL .0001 MIN OVER	COPPER TRI-ALLOY PL .0001 MIN OVER

DRAWING NO. C - 146-0403-001/010					
REVISIONS					
PRE-PRODUCTION USE ONLY					
0	9-22-08	P T	A K	M J	R B
					9-26-08 ECN 51632



NOTES:

1. SPECIFICATIONS:

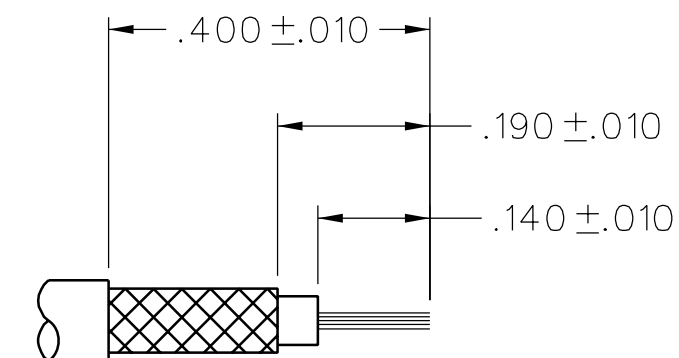
IMPEDANCE: 50 OHMS NOMINAL  
 FREQUENCY RANGE: 0-12.4 GHz  
 VSWR: 1.15 + 0.02F  
 WORKING VOLTAGE: 250 VRMS MAX AT SEA LEVEL  
 DIELECTRIC WITHSTANDING VOLTAGE: 750 VRMS MIN AT SEA LEVEL  
 INSULATION RESISTANCE: 5000 MEGOHM MIN  
 CONTACT RESISTANCE:  
 CENTER CONTACT - INITIAL 3.0 MILLIOHM MAX, AFTER ENVIRONMENTAL 4.0  
 OUTER CONDUCTOR - INITIAL 2.0 MILLIOHM MAX, AFTER ENVIRONMENTAL NOT APPLICABLE  
 CABLE BRAID TO CONNECTOR BODY - INITIAL 5.0 MILLIOHM MAX, AFTER ENVIRONMENTAL NOT APPLICABLE  
 CORONA LEVEL: 190 VOLTS MIN AT 70,000 FEET  
 INSERTION LOSS: .06/√F (F IN GHz) AT 6 GHz  
 RF LEAKAGE: -80 DB MIN AT 3.0 GHz  
 RF HIGH POTENTIAL WITHSTANDING VOLTAGE: 500 VRMS MIN AT 4 AND 7 MHz

MECHANICAL:

ENGAGE FORCE: 5.6 POUNDS TYPICAL  
 DISENGAGE FORCE: 4.5 POUNDS TYPICAL  
 COUPLING RETENTION FORCE: 13.5 POUNDS MIN  
 CONTACT RETENTION: 6 LBS MIN  
 CABLE ACCEPTABILITY: RG 188/U, RG 316/U, RG 161/U, RG 174/U  
 CABLE HEX CRIMP SIZE: .128  
 CONTACT CRIMP TOOL: 144-0000-910  
 CABLE RETENTION: 20 LBS MIN AXIAL FORCE  
 DURABILITY: 500 CYCLES MIN

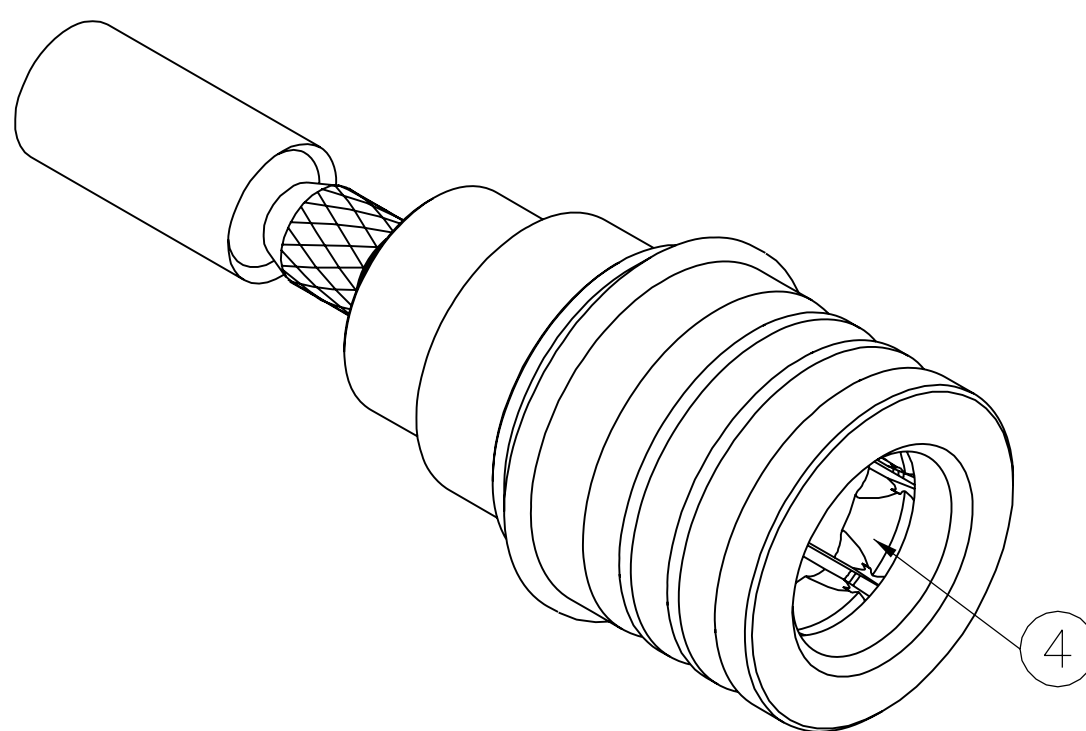
ENVIRONMENTAL:

OPERATING TEMPERATURE: -65 DEG C TO +165 DEG C  
 THERMAL SHOCK: MIL-STD-202, METHOD 107, CONDITION B EXCEPT +85°C HIGH TEMP  
 CORROSION: MIL-STD-202, METHOD 101, CONDITION B  
 SHOCK: MIL-STD-202, METHOD 213, CONDITION I  
 VIBRATION: MIL-STD-202, METHOD 204, CONDITION D  
 MOISTURE RESISTANCE: MIL-STD-202, METHOD 106



CABLE STRIP DIMENSIONS

4:1



FOR QUOTATION ONLY  
UNAPPROVED

THIS DRAWING TO BE INTERPRETED  
PER ANSII 14.5M - 1982

"μ STATION"

COMPANY CONFIDENTIAL

TOLERANCE UNLESS OTHERWISE SPECIFIED		DRAWN BY T.A.Kari	DATE 4-09-08		299 Johnson Ave. P.O. Box 1732 Waseca, MN 56093-0832	
DECIMALS	mm	CHECKED BY XXX	DATE X		TITLE THREE PIECE PLUG CRIMP TYPE, RG-316 QMA	
.XX	_____	APPROVED BY XXX	DATE X	CODE NO.	DRAWING NO. C - 146-0403-001/010	
.XXX ± .003	_____	APPROVED BY XXX	DATE X	SCALE 10:1	U/M INCH	SHEET 2 OF 2
MATL	_____	RELEASE DATE	X			
FINISH	_____					