

# Compact medium speed thick film thermal printhead (8 dots / mm)

## KD2004-DF10A

Using its expertise in LSI technology, ROHM has developed new high density driver chips for use in the KD2004-DF10A. Capable of being employed for both thermal and thermal transfer printing, with a print speed of 250mm/s, the resulting print heads are the fastest in their class. This high-speed and high-density printing answers the needs of POS, ATM, KIOSK and ticket printing devices, which are increasingly being called upon to produce graphical output.

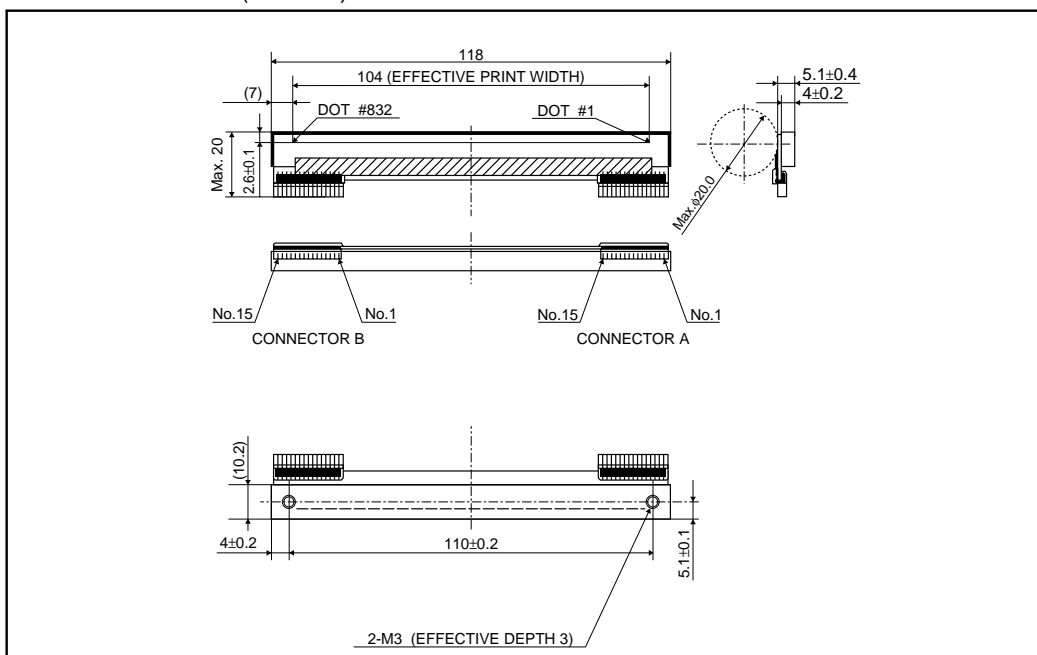
### ●Applications

POS printers  
ATM printers  
KIOSK printers  
Ticket printers

### ●Features

- 1) The use of a special partial glaze and the latest heating element structure, along with new high-density driver chips that can accept big current, has allowed ROHM to achieve print speeds of 250mm/s with using thermal history control, the fastest in its class.
- 2) Standard printheads in the line up are capable of 203 or 300 dpi. They achieve the high resolution needed for graphics and other complex print patterns.
- 3) One rank resistance value of  $650\Omega \pm 3\%$  eliminates the inconvenience of rank selection.
- 4) The required driving voltage of 3.15 to 5.25V allows wide range of power supply voltage setting. This also allows multiple choice of electronic components for printers.
- 5) 2-inch, 3-inch and 4-inch series are available.

### ●External dimensions (Unit : mm)



Printheads

●Equivalent circuit

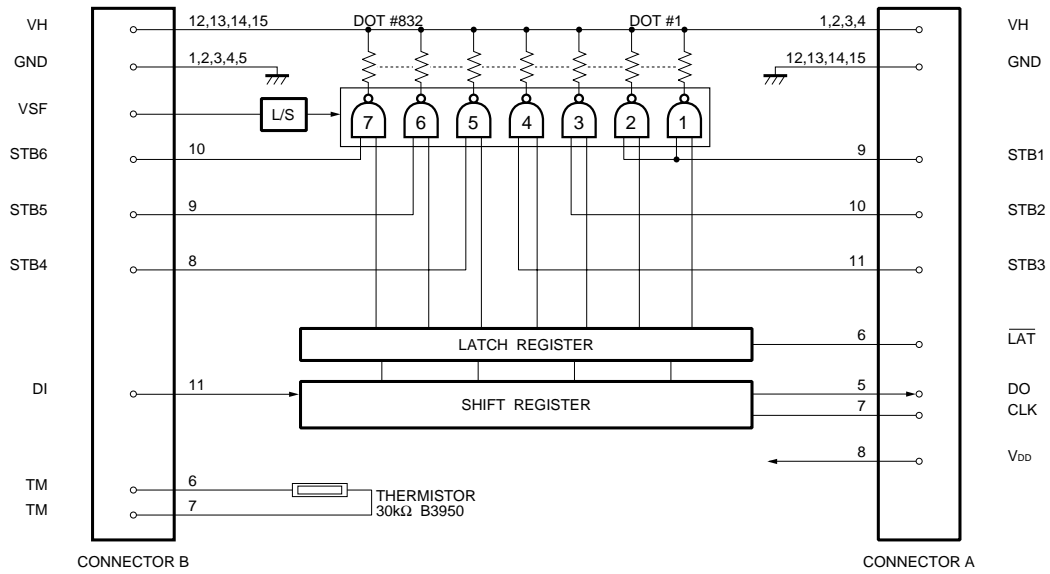


Fig.1

●Pin assignments

CONNECTOR A	
No.	Circuit
1	VH
2	VH
3	VH
4	VH
5	DO
6	$\overline{\text{LAT}}$
7	CLK
8	V <sub>DD</sub>
9	STB1
10	STB2
11	STB3
12	GND
13	GND
14	GND
15	GND

CONNECTOR B	
No.	Circuit
1	GND
2	GND
3	GND
4	GND
5	GND
6	TM
7	TM
8	STB4
9	STB5
10	STB6
11	DI
12	VSF
13	VH
14	VH
15	VH

Printheads

●Timing chart

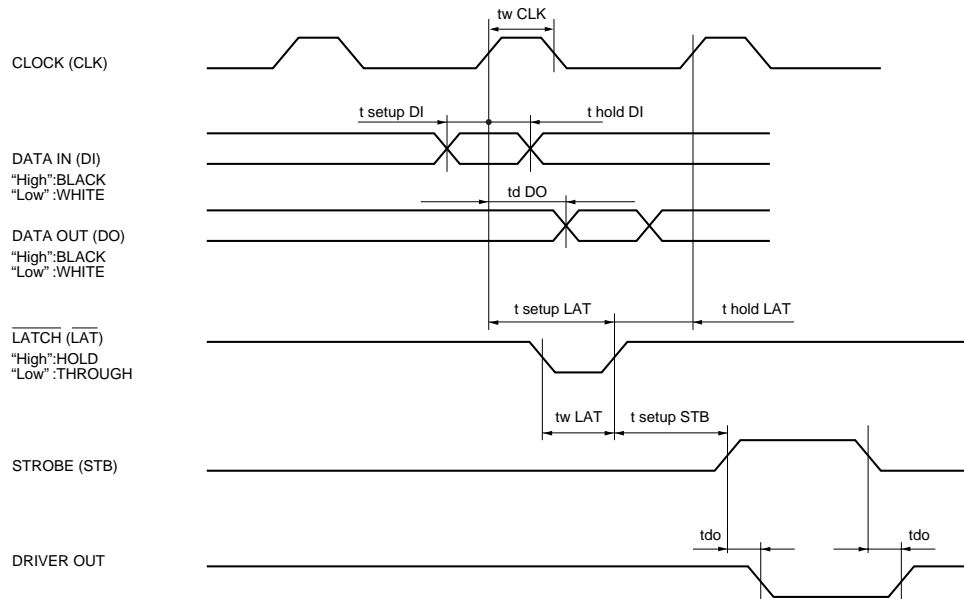


Fig.2

●Characteristics

Parameter	Symbol	Typical	Unit
Effective printing width	-	104	mm
Dot pitch	-	0.125	mm
Total dot number	-	832	dots
Average resistance value	Rave	650	$\Omega$
Applied voltage	V <sub>H</sub>	24	V
Applied power	P <sub>O</sub>	0.74	W/dot
Print cycle	SLT	0.83	ms
Pulse width	T <sub>ON</sub>	0.27	ms
Maximum number of dots energized simultaneously	-	448	dots
Maximum clock frequency	-	16	MHz
Maximum roller diameter	-	$\phi 20.0$	mm
Running life / pulse life	-	$50/5 \times 10^7$	km/pulses
Operating temperature	-	5 to 45	$^{\circ}\text{C}$

Printheads

●Electrical characteristic curves

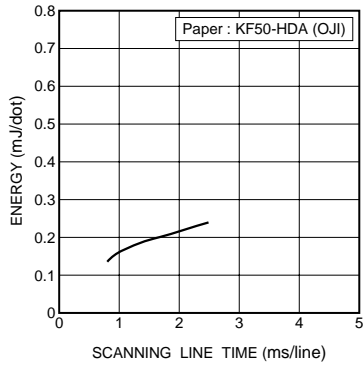


Fig.3 Adaptive speed chart

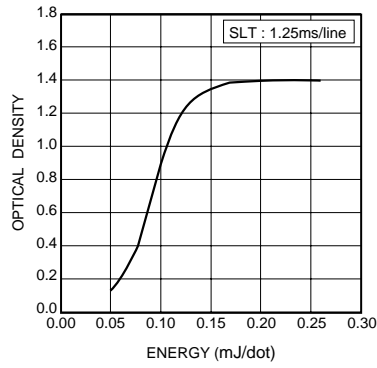


Fig.4 Representative density curve

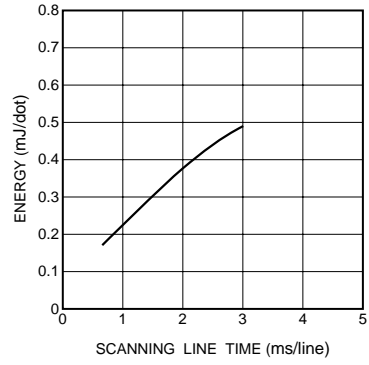


Fig.5 Maximum energy curve

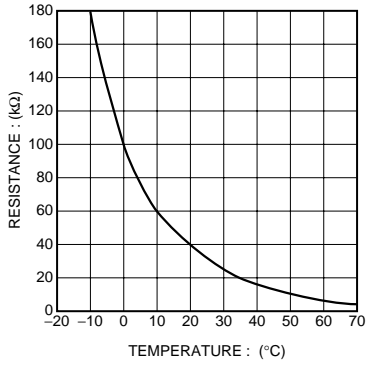


Fig.6 Thermistor curve

### Notes

- No technical content pages of this document may be reproduced in any form or transmitted by any means without prior permission of ROHM CO.,LTD.
- The contents described herein are subject to change without notice. The specifications for the product described in this document are for reference only. Upon actual use, therefore, please request that specifications to be separately delivered.
- Application circuit diagrams and circuit constants contained herein are shown as examples of standard use and operation. Please pay careful attention to the peripheral conditions when designing circuits and deciding upon circuit constants in the set.
- Any data, including, but not limited to application circuit diagrams information, described herein are intended only as illustrations of such devices and not as the specifications for such devices. ROHM CO.,LTD. disclaims any warranty that any use of such devices shall be free from infringement of any third party's intellectual property rights or other proprietary rights, and further, assumes no liability of whatsoever nature in the event of any such infringement, or arising from or connected with or related to the use of such devices.
- Upon the sale of any such devices, other than for buyer's right to use such devices itself, resell or otherwise dispose of the same, no express or implied right or license to practice or commercially exploit any intellectual property rights or other proprietary rights owned or controlled by
- ROHM CO., LTD. is granted to any such buyer.
- Products listed in this document are no antiradiation design.

The products listed in this document are designed to be used with ordinary electronic equipment or devices (such as audio visual equipment, office-automation equipment, communications devices, electrical appliances and electronic toys).

Should you intend to use these products with equipment or devices which require an extremely high level of reliability and the malfunction of which would directly endanger human life (such as medical instruments, transportation equipment, aerospace machinery, nuclear-reactor controllers, fuel controllers and other safety devices), please be sure to consult with our sales representative in advance.

#### About Export Control Order in Japan

Products described herein are the objects of controlled goods in Annex 1 (Item 16) of Export Trade Control Order in Japan.

In case of export from Japan, please confirm if it applies to "objective" criteria or an "informed" (by MITI clause) on the basis of "catch all controls for Non-Proliferation of Weapons of Mass Destruction.