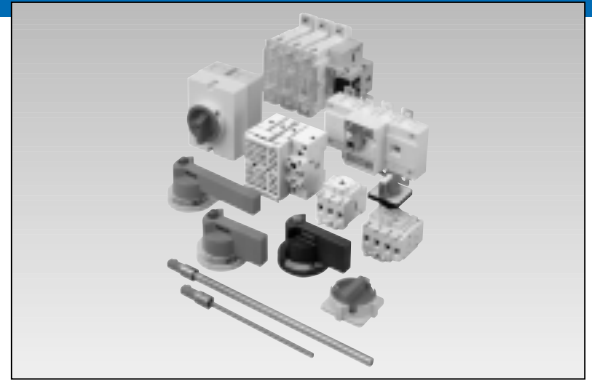


- On load fuse switch to IEC 947-3
- 3 and 4 pole versions
- 20A to 630A
- Door interlocked handles – defeatable
- 3 padlock positions
- DIN rail and chassis mount versions
- Shaft length 100 - 500mm
- Full range of accessories



Selection and Product Pricing

	CF Series		SF Series									
3 Pole	CF793020	CF793032	SF793032	SF793063	SF793100	SF793160	SF793200	SF793250	SF793315	SF793400	SF793630	SF793800
4 Pole	CF793N20	CF793N32	SF794032	SF794063	SF794100	SF794160	SF794200	SF794250	SF794315	SF794400	SF794630	SF794800
Rating												
AC21 - 400V Amps	20	32	32	63	100	160	200	250	315	400	630	800
AC22 - 400V Amps	20	32	32	63	100	160	200	250	315	400	630	800
AC23 - 400V Amps	20	32	32	63	100	160	200	250	315	400	630	800
Frame Size	CF79		1	2	3	4	5	5	6	6	7	8
BS88 Fuse size	A1		A2-A3		A4		B1-B2	B1-B3		B1-B4	C1-C2	
Handles												
Black – Rotary Door Interlock	79H0010		-		-		-		-		-	
Red/Yellow – Rotary Door Interlock	79H0011		-		-		-		-		-	
Black – Pistol Door Interlock	79H0005		79H0005		79H0008		79H0008		79H0008		79H0012	
Red/Yellow – Pistol Door Interlock	79H0006		79H0006		79H0009		79H0009		79H0009		79H0013	
Shaft Extensions												
Rotary Handle												
200mm	79E0014		-		-		-		-		-	
400mm	79E0015		-		-		-		-		-	
Pistol Handle												
120mm	79E0018		-		79E0018		79E0018		79E0018		-	
200mm	79E0016		-		79E0010		79E0010		79E0010		79E0019	
250mm	-		-		79E0011		79E0011		79E0011		-	
300mm	-		-		-		-		-		-	
320mm	79E0017		-		79E0012		79E0012		79E0012		-	
450mm	-		-		-		-		-		79E0020	
500mm	-		-		79E0013		79E0013		79E0013		-	
Protection Covers												
Upper Terminals 3 pole	-		-		79S0016		79S0016		79S0018		79S0020	
4 pole	-		-		79S0017		79S0017		79S0019		79S0021	
Lower Terminals 3 pole	-		-		79S0016		79S0016		79S0018		79S0020	
4 pole	-		-		79S0017		79S0017		79S0019		79S0021	
Auxiliary Contacts												
Configurable Aux. Contact Block side Mount	-		-		79A0004		79A0004		79A0004		-	
Drive Shaft Kit for above	-		-		79A0005		79A0005		79A0005		-	
Configurable auxiliary block holder (not required for CF series)	-		-		79A0006		79A0006		79A0006		-	
N/O contact for above	79A0007		-		79A0007		79A0007		79A0007		-	
N/C contact for above	79A0008		-		79A0008		79A0008		79A0008		-	
Micro switch auxiliary contacts 1 NO/NC	-		-		79A0009		79A0009		79A0009		79A0011	
Micro switch auxiliary contacts 2 NO/NC	-		-		79A0010		79A0010		79A0010		-	
Micro switch auxiliary contacts 2nd NO/NC	-		-		-		-		-		79A0012	
Neutral Links												
Unswitched neutral link	-		79N0001		79N0002		79N0003		79N0004		-	

Specification

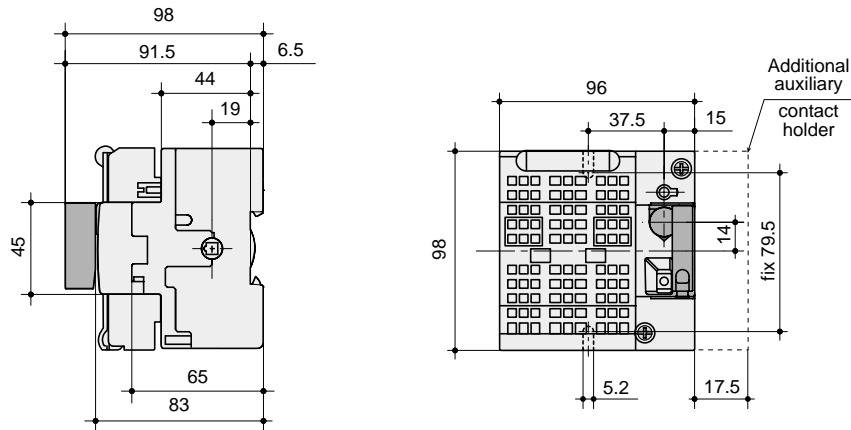
CF SERIES		CF793020 CF793N20	CF793032 CF793N32	SF793032 SF794032	SF793063 SF794063
Rated insulation voltage	Ui	800	800	690	690
Rated thermal current	Ith	20	32	32	63
Ratings @ 400VAC					
AC22	A	20	32	32	63
AC23	A	20	32	32	63
Fuse size BS88		A1	A1	A1	A2-A3
Making capacity @ 400VAC					
AC23B	A Rms	200	320	320	630
Breaking capacity @ 400VAC					
AC23B	A Rms	160	256	256	500
Rated conditional short-circuit current BS88	kA Rms	80	80	80	100
Fuse switch cut off current	kA peak	6.5	6.5	9	10.6
Mechanical endurance	ops	20000	20000	10000	10000
Maximum cable size	mm²	2.5/16	2.5/16	6/25	10/25
Maximum Cu busbar width	mm	-	-	-	-
Maximum Torque Settings	(Nm)				
On terminal bolt/On fuse bolt		2/1.6	2/1.6	5.4/1.57	5.4/2.94
On shaft securing bolt		1.5	1.5	6	6
Weight	3/4P Kg	0.5	0.5	1	1.3

SF79 SERIES		SF793100 SF794100	SF793160 SF794160	SF793200 SF794200	SF793250 SF794250	SF793315 SF794315	SF793400 SF794400	SF793630 SF794630
Rated insulation voltage	Ui	750	750	750	800	750	800	1000
Rated thermal current	Ith	100A	160A	200A	250A	315A	400A	630A
Ratings @ 400VAC								
AC22	A	100	160	200	250	315	400	630
AC23	A	100	160	200	250	315	400	630
Fuse size BS88		*1A4	A4	B1-B2	B1-B3	B1-B3	B1-B4	C1-C2
Making capacity @ 400VAC								
AC23	A Rms	1000	1600	2000	2500	3150	4000	6300
Breaking capacity @ 400VAC								
AC23	A Rms	800	1280	1600	2000	2520	3200	5040
Rated conditional short-circuit current	kA Rms	100	100	80	80	80	80	100
Rated peak withstand current	kA peak	17.6	20	20	32.5	44	44	58
Mechanical life		10000	10000	10000	10000	10000	10000	10000
Maximum cable size	mm²	25/95	50/95	50/95	95/240	185/240	185/240	2x150/2x300
Maximum Cu busbar width	mm	20	20	20	32	45	45	50
Maximum Torque Settings	(Nm)							
On terminal bolt/On fuse bolt		12.75/12.75	12.75/12.75	12.75/12.75	25.48/12.75	25.48/12.75	25.48/12.75	44.10/25.48
On shaft securing bolt		6	6	6	6	6	6	-
Weight	3/4P Kg	2	2.3	4.5	4.5	6.1	6.1	19

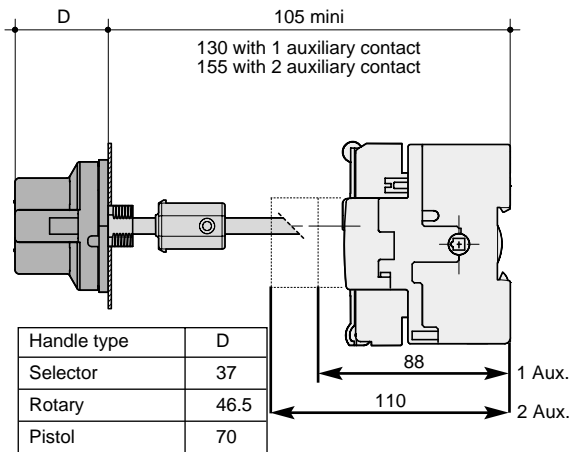
*1 Max. Fuse 31mm

* Note: Please ensure that the cut off current off the fuse links does not exceed the values given for the fuse switches.

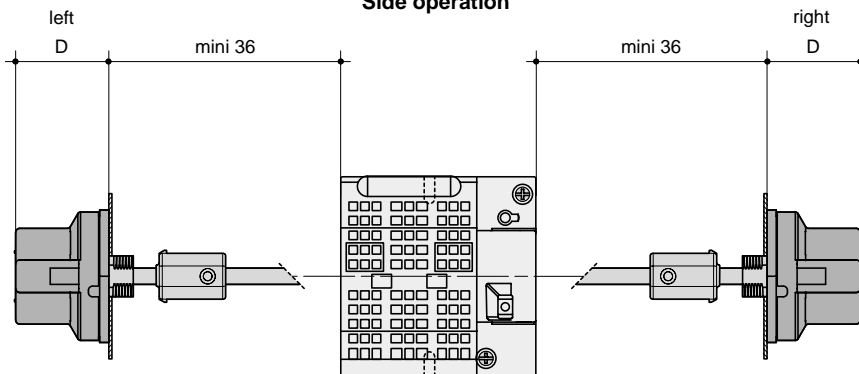
Specification CF Series



External front operation

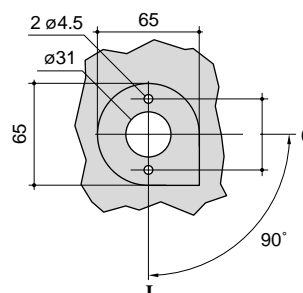


Side operation

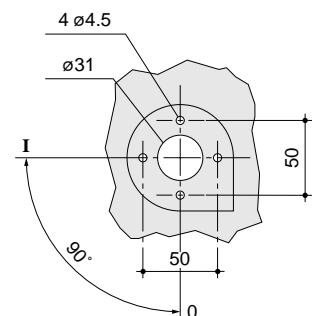


Rotary handle

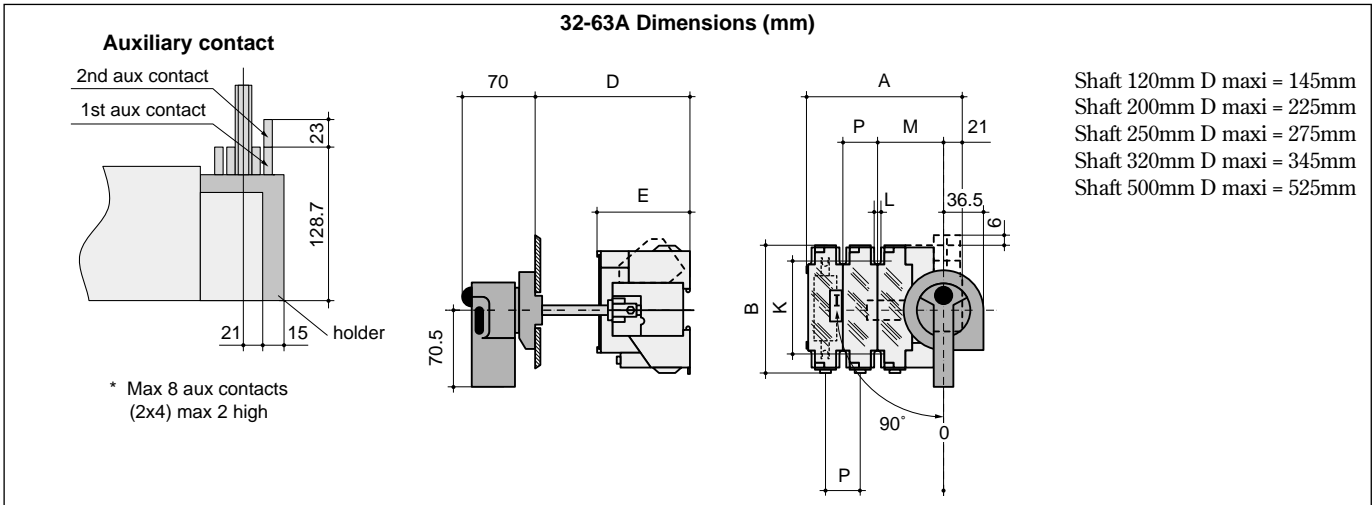
Door Drilling



Pistol handle



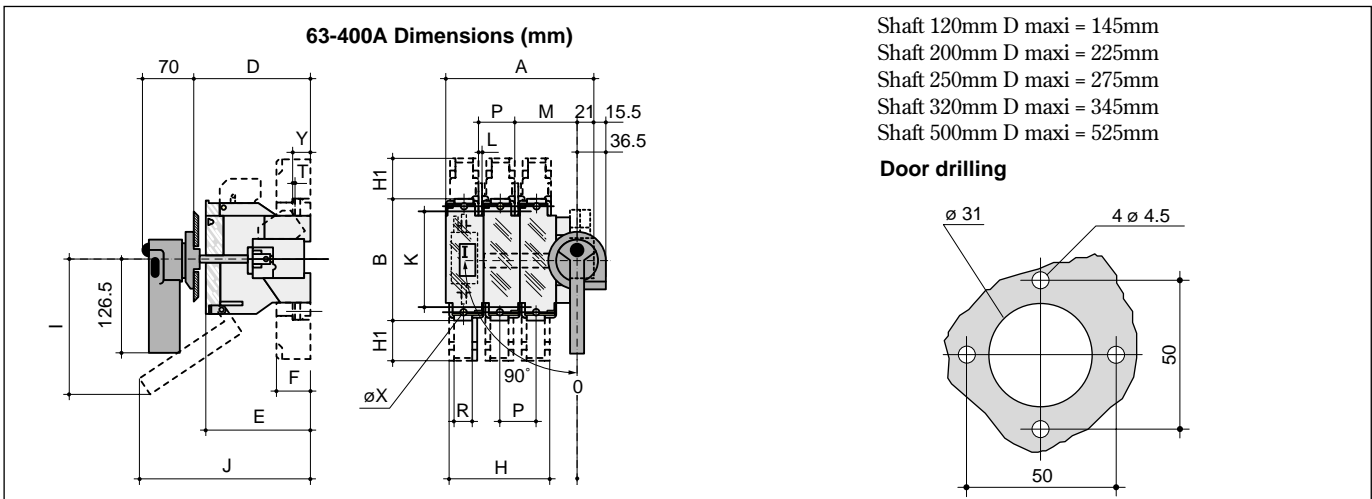
Specification SF Series



Overall dimensions

Frame Size	Fuse Size	No of Poles	Overall Dimensions						Switch Mounting						
			A	B	D mini	E	I	J	K	L	M	P			
	BS 88														
1	A1	3	137	118	94	87	-	-	106	5.4	57.5	27			
1	A1	4	164	118	94	87	-	-	106	5.4	57.5	27			
2	A2-A3	3	152	118	100	92.5	-	-	106	5.4	62.5	32			
2	A2-A3	4	184	118	100	92.5	-	-	106	5.4	62.5	32			

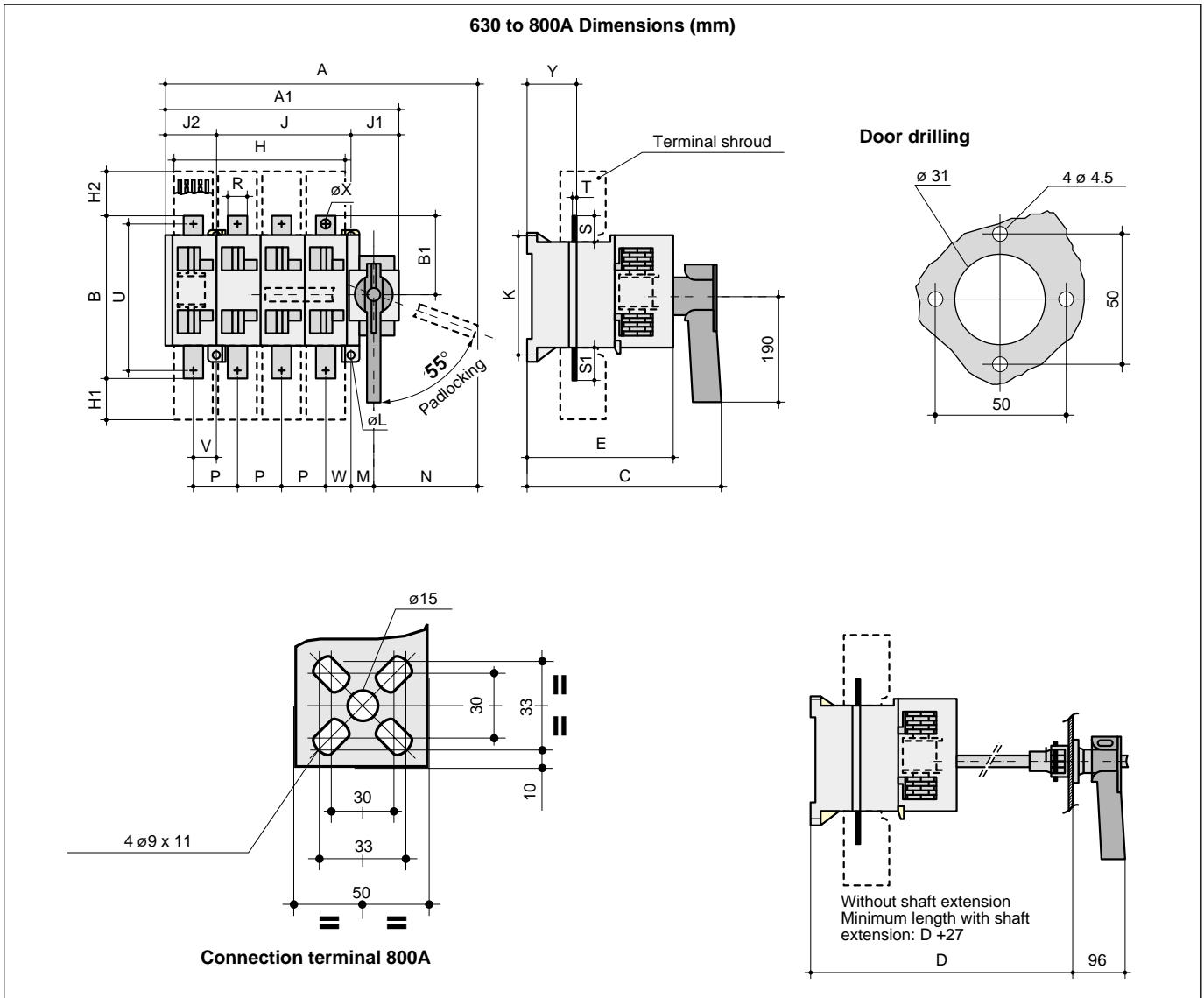
Specification



Overall dimensions

Frame Size	Fuse Size	No of Poles	Overall Dimensions									Switch Mounting				Connection Terminal			
			A	B	D mini	E	F	H	H ₁	I	J	K	L	M	P	R	T	øX	Y
	BS 88																		
3	A4 ø31	3	166	162	120	106.5	44	108	53	130	170	127	5.4	66.5	36	20	2.5	8.5	19.5
3	A4 ø31	4	202	162	120	106.5	44	144	53	130	170	127	5.4	66.5	36	20	2.5	8.5	19.5
4	A4/B1-B2	3	206	162	145	136.5	44	136	53	174	229	140	5.4	80.5	50	20	2.5	8.5	19.5
4	A4/A1-B2	4	256	162	145	136.5	44	172	53	174	229	140	5.4	80.5	50	20	2.5	8.5	19.5
5	B1/B2-B3	3	296	195	154	146	65	180	75	185	251	162	6.4	90.5	60	32	2.5	11	19.5
5	B1/B2-B3	4	320	195	154	146	65	180	75	185	251	162	6.4	90.5	60	32	2.5	11	19.5
6	B1 to B4	3	278	205	157	149	65	192	75	200	260	172	6.4	121	66	50	3	11	20
6	B1 to B4	4	344	205	157	149	65	258	75	200	260	172	6.4	121	66	50	3	11	20

Specification



Frame Size		Overall Dimensions														Switch Mounting						Connection Terminals							
Rating (A)		A	A ₁	B	B ₁	C	D _{mini} *	D	E	H	H ₁	H ₂	J	J ₁	J ₂	K	øL	M	N	P	R	S	S _i	T	U	V	W	øX	Y
7	3 x 630	470	345.5	300	150	348	276	341 to 440	268	235	85	85	250	76	19.5	250	9	38.5	162	80	50	50	50	7	260	45.5	44.5	13	72
7	4 x 630	550	425.5	300	150	348	276	341 to 440	268	315	85	85	250	76	99.5	250	9	38.5	162	80	50	50	50	7	260	34.5	44.5	13	72
8	3 x 800	470	345.5	320	150	348	276	341 to 440	268	235	75	75	250	76	19.5	250	9	38.5	162	80	50	60	60	7	267	45.5	44.5	-	72
8	4 x 800	550	425.5	320	150	348	276	341 to 440	268	215	75	75	250	76	99.5	250	9	38.5	162	80	50	60	60	7	267	34.5	44.5	-	72

*short shaft