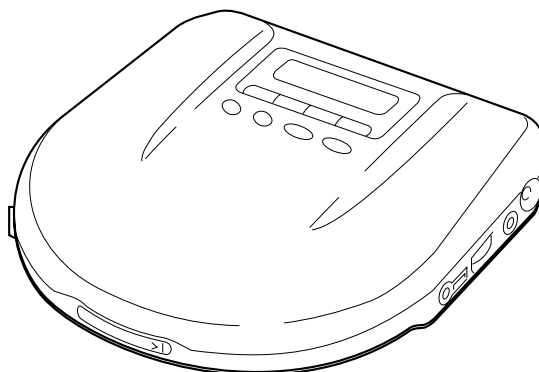


# D-E505/E554

## SERVICE MANUAL

Ver 1.1 1999.02



Canadian Model  
E Model  
Australian Model  
Chinese Model  
D-E554  
Tourist Model  
D-E505

Model Name Using Similar Mechanism	D-E700/E705
CD Mechanism Type	CDM-2911DBB/2911EBA
Optical Pick-Up Name	DAX-11D/11E

### SPECIFICATIONS

#### CD player section

##### System

Compact disc digital audio system

##### Laser diode properties

Material: GaAlAs

Wavelength:  $\lambda=780$  nm

Emission duration: Continuous

Laser output: Less than 44.6  $\mu$ W (This output is the value measured at a distance of 200 mm from the objective lens surface on the optical pick-up block with 7 mm aperture.)

##### Error correction

Sony Super Strategy Cross Interleave Reed Solomon Code

##### D-A conversion

1-bit quartz time-axis control

##### Frequency response

20 – 20,000 Hz  $\pm 1/2$  dB (measured by EIAJ CP-307)

##### Output (at 4.5 V input level)

Headphones (stereo minijack)

15 mW + 15 mW at 16 ohms

Line output (stereo minijack)

Output level 0.7 V rms at 47 kilohms

Recommended load impedance over 10 kilohms

Optical digital output (optical output connector)

Output level: -21 to -15 dBm

Wavelength: 630 – 690 nm at peak level

#### General

##### Power requirements

For the area code of the model you purchased, check the upper left side of the bar code on the package.

- Two Sony NH-DM2AA rechargeable batteries: 2.4 V DC
- Two Sony NC-DMAA rechargeable batteries: 2.4 V DC
- Two LR6 (size AA) batteries: 3 V DC
- AC power adaptor (DC IN 4.5 V jack):  
Canadian model: 120 V, 60 Hz  
E13 model: 220 – 230 V, 50/60 Hz  
Australian model: 240 V, 50Hz  
Tourist/E33 model: 100 – 220 V, 50/60 Hz  
Hong Kong model: 220 V, 50/60 Hz  
Chinese model: 220 V, 50 Hz
- Sony DCC-E245 car battery cord for use on car battery: 4.5 V DC

##### Dimensions (w/h/d) (without projecting parts and controls)

Approx. 131.8 × 23.9 × 142.0 mm  
(5 1/4 × 31/32 × 5 5/8 in.)

##### Mass (without rechargeable batteries)

Approx. 200 g (7.0 oz)

##### Operating temperature

5 °C – 35 °C (41 °F – 95 °F)

#### Supplied accessories

For the area code of the model you purchased, check the upper left side of the bar code on the package.

- AC power adaptor (1)
- Earphones with remote control (1)
- AC plug adaptor (1)\*
- Carrying case (1)
- \* Supplied with Tourist, E33 and E13 models

Design and specifications are subject to change without notice.

##### • Abbreviation

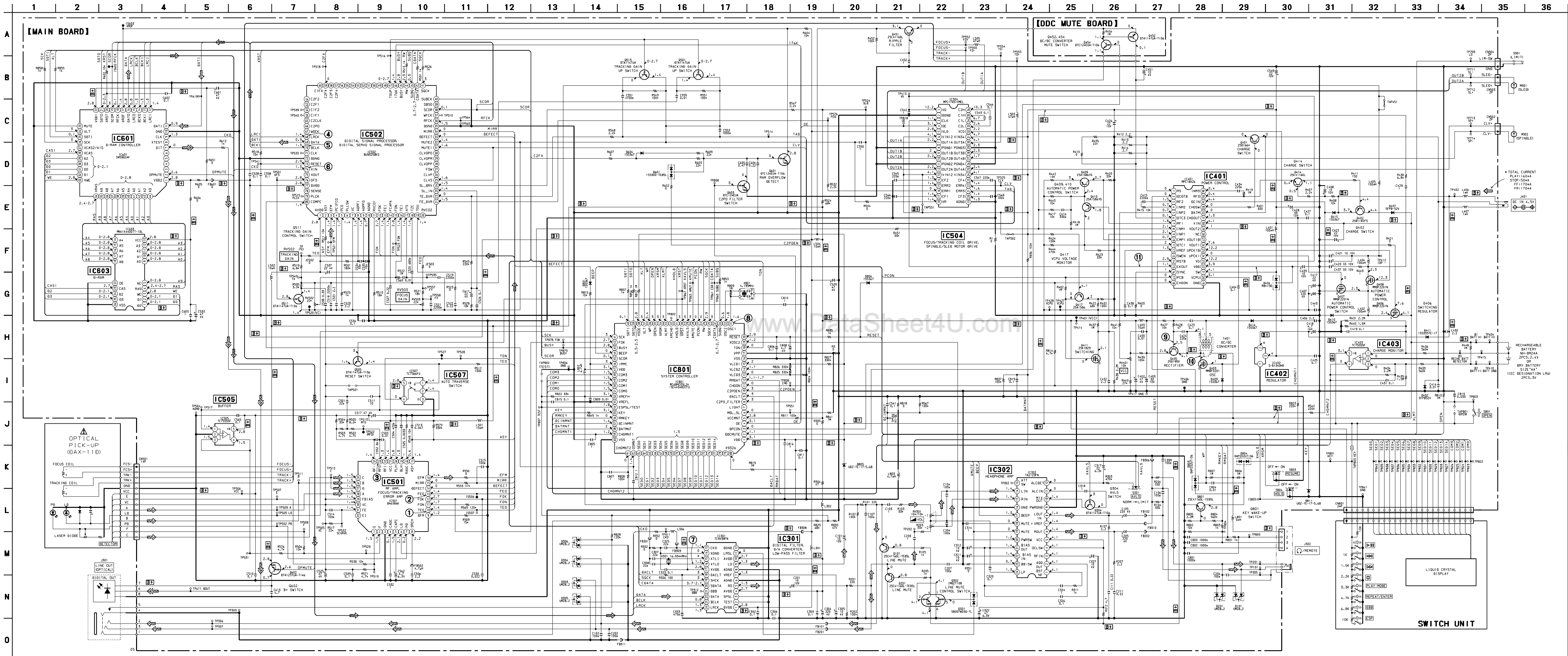
- E13: 220 – 230 V AC area in E model
- E33: 100 – 240 V AC area in E model

## COMPACT DISC COMPACT PLAYER



# SONY®

www.DataSheet4U.com



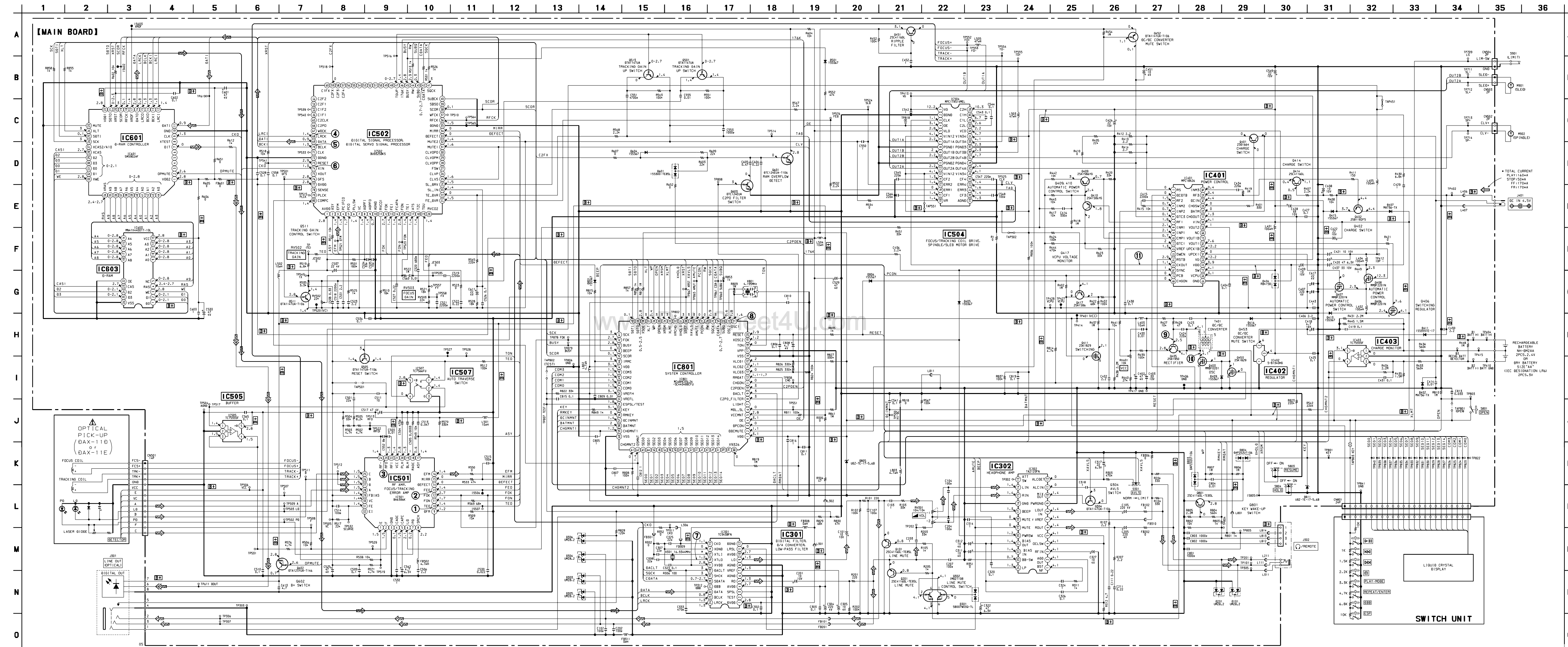
**Note on Schematic Diagram:**

- All capacitors are in  $\mu\text{F}$  unless otherwise noted.  $\text{pF}$ :  $\mu\text{F}$ F
- 50 W or less are not indicated except for electrolytics and tantalums.
- All resistors are in  $\Omega$  and  $1/4$  W or less unless otherwise specified.
- $\Delta$  : internal component.

**Note:** The components identified by mark  $\Delta$  or dotted line with mark  $\Delta$  are critical for safety. Replace only with part number specified.

- **B+** : B+ Line.
- **□** : adjustment for repair.
- Power voltage is dc 4.5 V and fed with regulated dc power supply from external power voltage jack.
- Voltages and waveforms are dc with respect to ground under conditions in service mode.
- no mark : CD PLAY
- \* : Impossible to measure
- Voltages are taken with a VOM (Input impedance 10 M $\Omega$ ). Voltage variations may be noted due to normal production tolerances.
- Waveforms are taken with an oscilloscope. Voltage variations may be noted due to normal production tolerances.
- Circled numbers refer to waveforms.
- Signal path.
- $\Rightarrow$  : CD PLAY (ANALOG OUT)
- $\Rightarrow$  : CD PLAY (OPTICAL OUT)

6-6. SCHEMATIC DIAGRAM (SUFFIX-12)



**Note on Schematic Diagram:**

- All capacitors are in  $\mu\text{F}$  unless otherwise noted.  $\text{pF}$ :  $\mu\text{F}$
- 50 WV or less are not indicated except for electrolytics and tantalums.
- All resistors are in  $\Omega$  and  $1/4W$  or less unless otherwise specified.
- $\Delta$ : internal component.

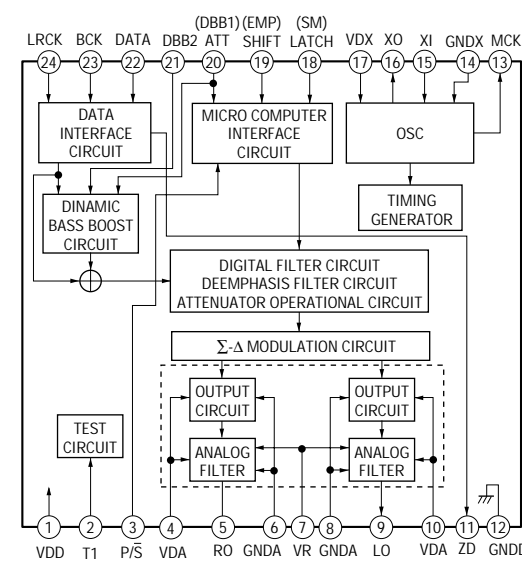
**Note:**  
The components identified by mark  $\Delta$  or dotted line with mark  $\Delta$  are critical for safety. Replace only with part number specified.

**Note:**  
Les composants identifiés par une marque  $\Delta$  ou traités en pointillés sont critiques pour la sécurité. Ne les remplacer que par une pièce portant le numéro spécifié.

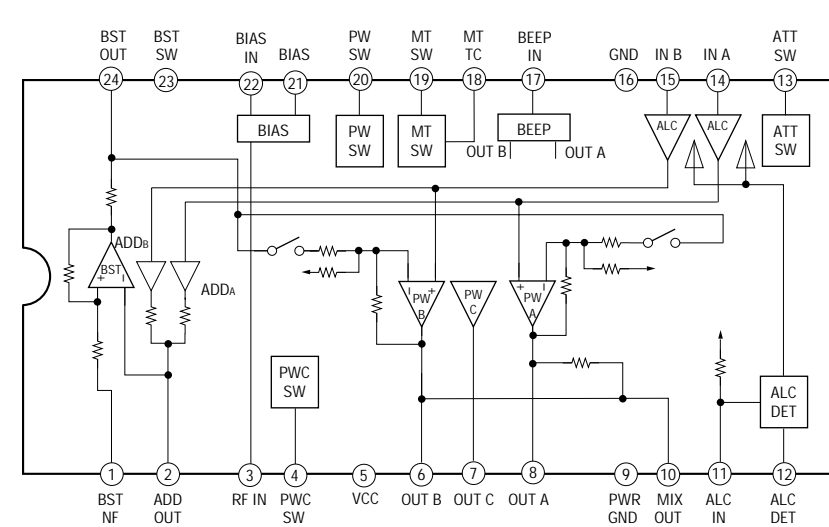
- B+**: B+ Line.
- $\square$ : adjustment for repair.
- Power voltage is dc 4.5 V and fed with regulated dc power supply from external power voltage jack.
- Voltagés and waveforms are dc with respect to ground under conditions in service mode. no mark : CD PLAY
- \* : Impossible to measure
- Voltagés are taken with a VOM (Input impedance 10 M $\Omega$ ). Voltage variations may be noted due to normal production tolerances.
- Waveforms are taken with an oscilloscope. Voltage variations may be noted due to normal production tolerances.
- Circled numbers refer to waveforms.
- Signal path.
- $\Rightarrow$ : CD PLAY (ANALOG OUT)
- $\Rightarrow$ : CD PLAY (OPTICAL OUT)

• IC Block Diagrams

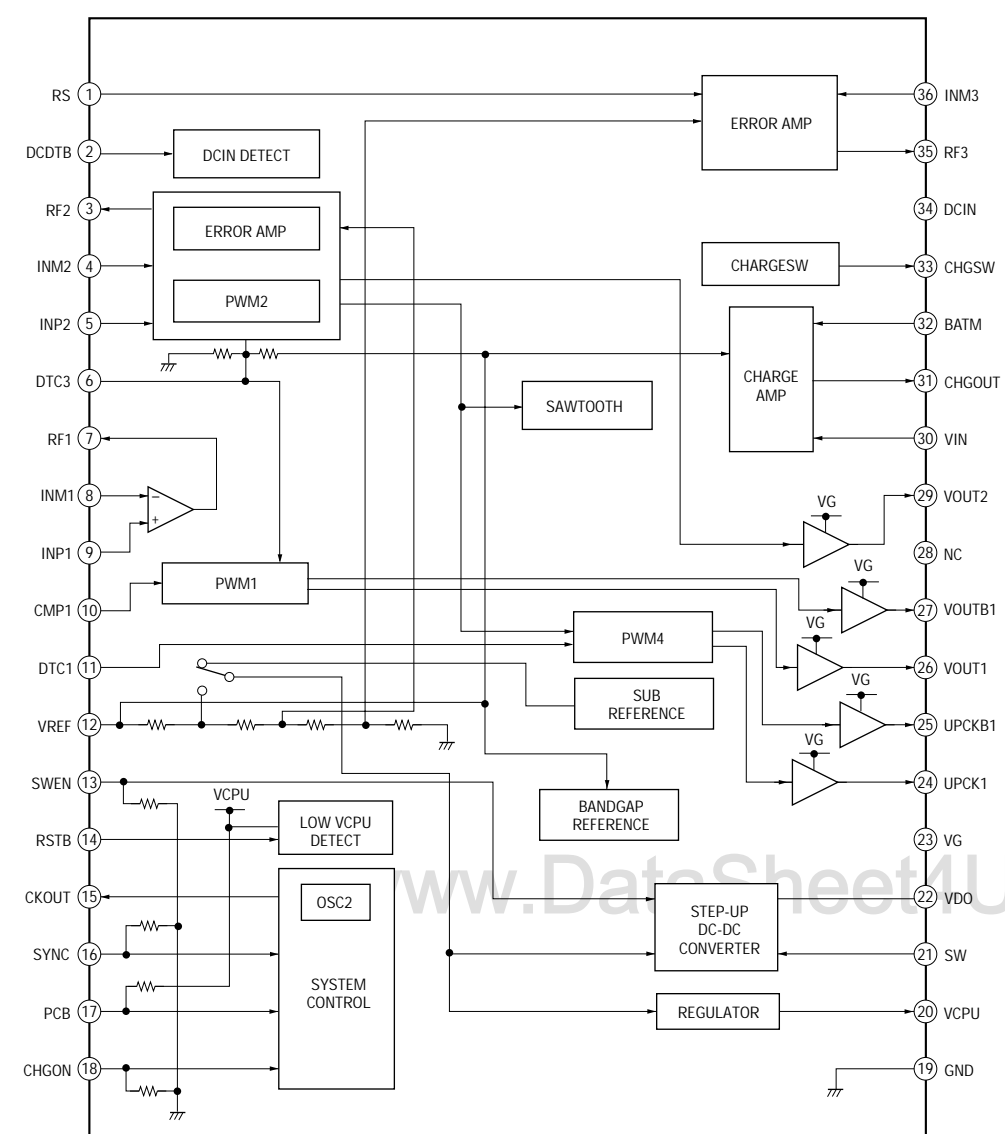
IC301 TC9438FNEL



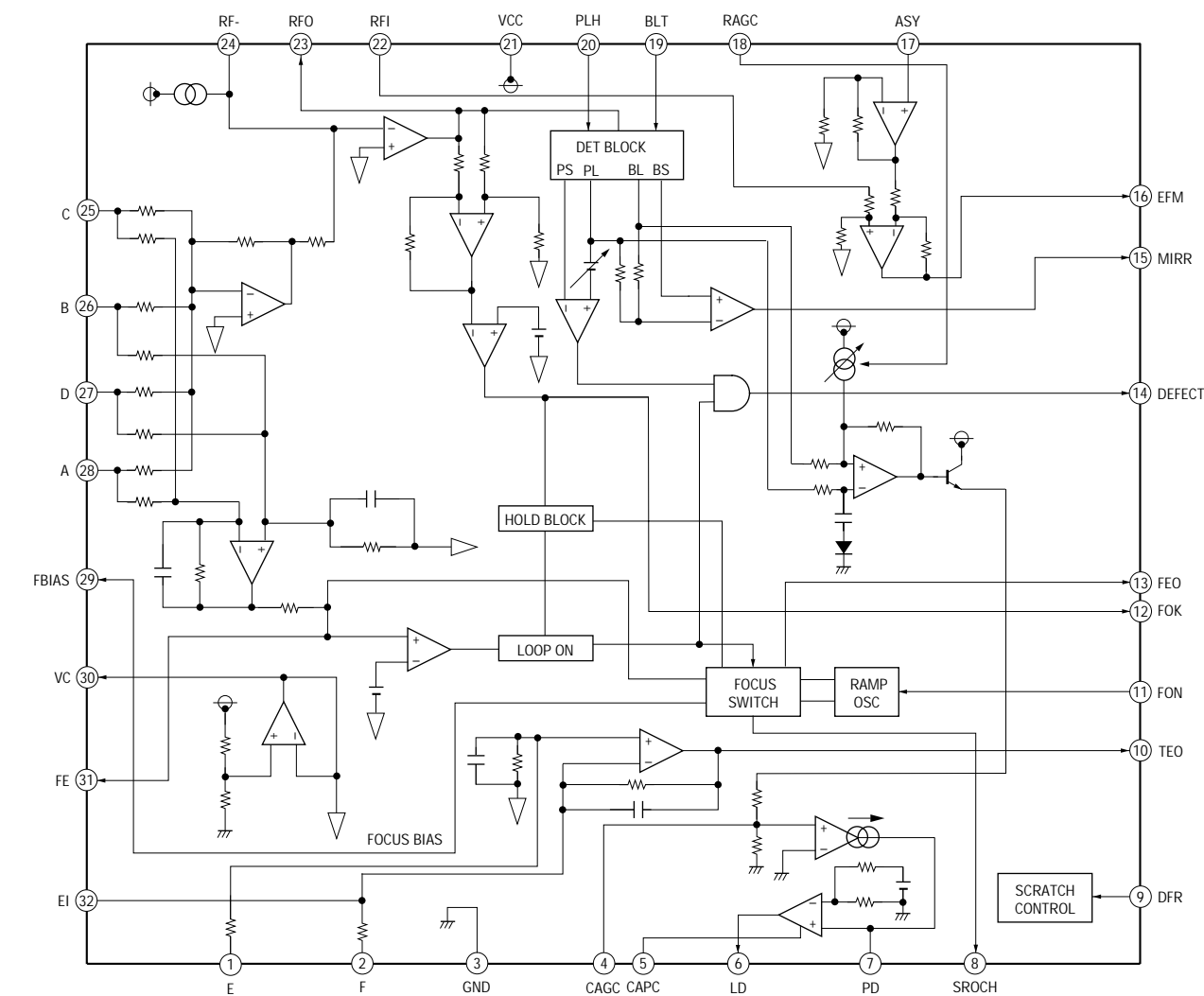
IC302 TA2120FN (EL)



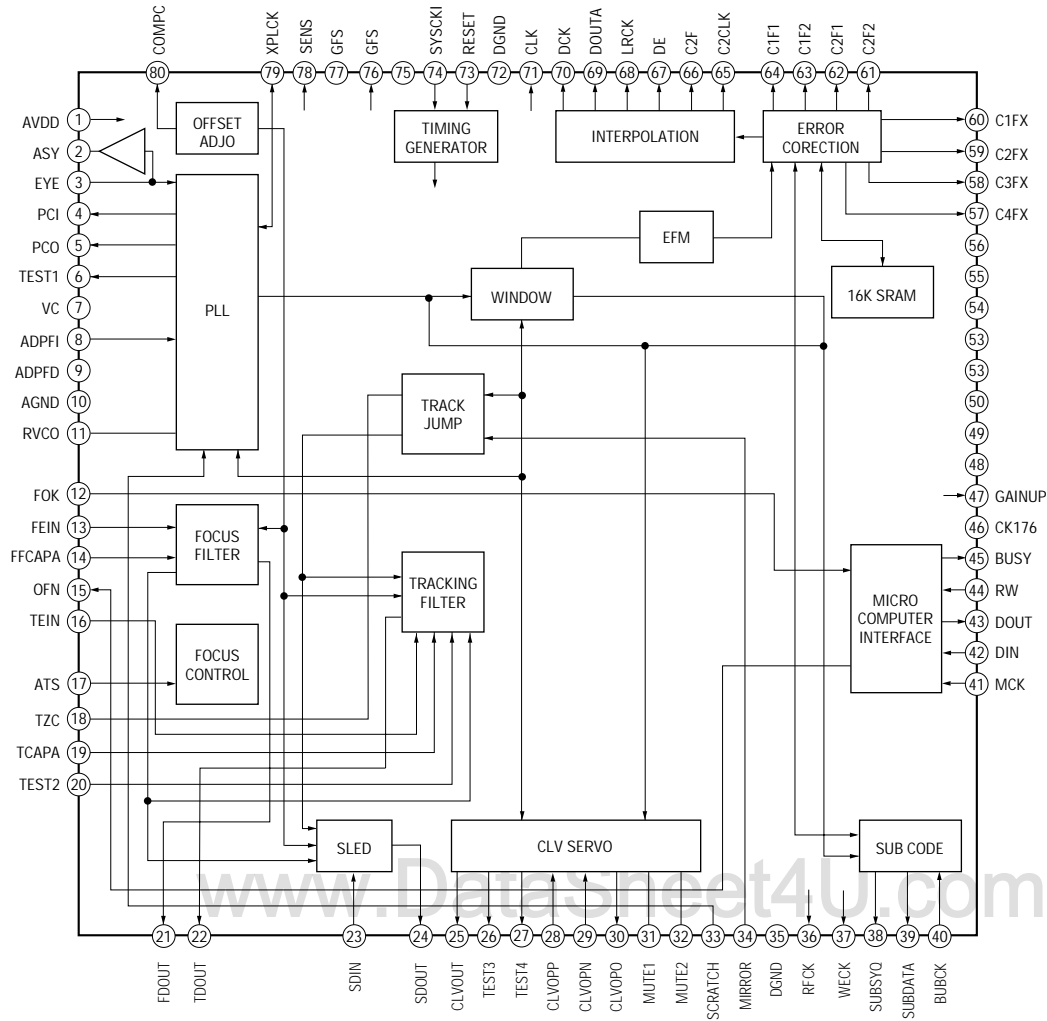
IC401 MPC18A26VMEL



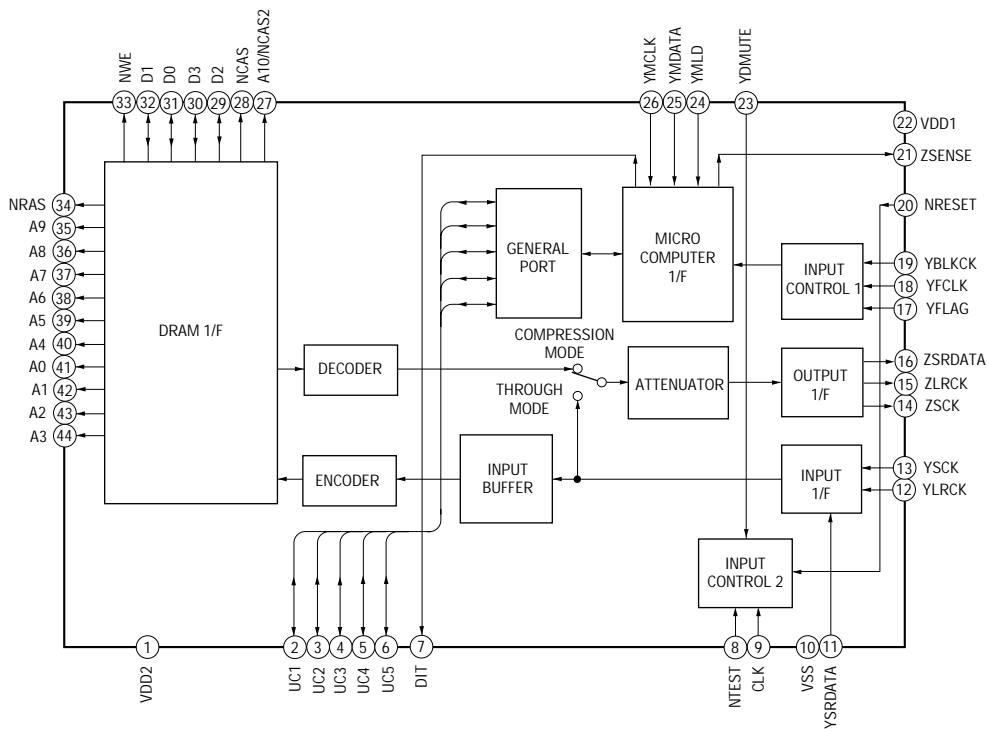
IC501 BA6386K



### IC502 BU9325BKS



### IC601 SM5902AF



### IC504 MPC17A51VMEL

