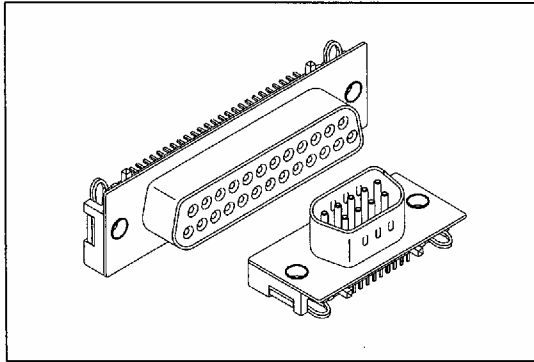


7902 & 7912 SERIES

SLIM D-SUB RIGHT ANGLE SMD TYPE



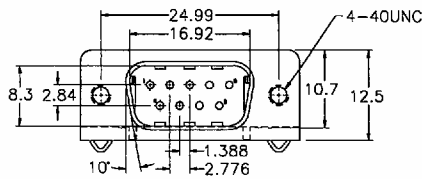
Material:

Housing: High temperature housing UL94V-0 withstands IR and VPR soldering methods.
Contacts: Phosphor Bronze.
Plating: Selective Gold plated.

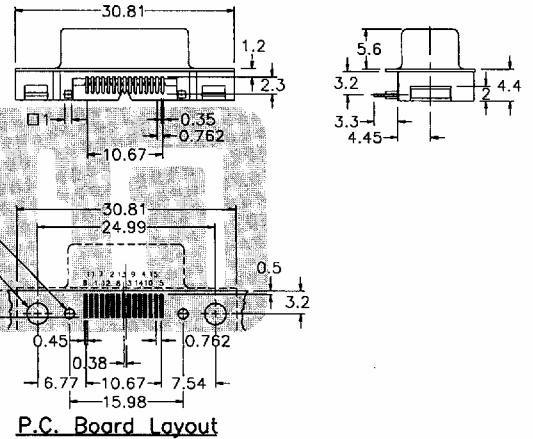
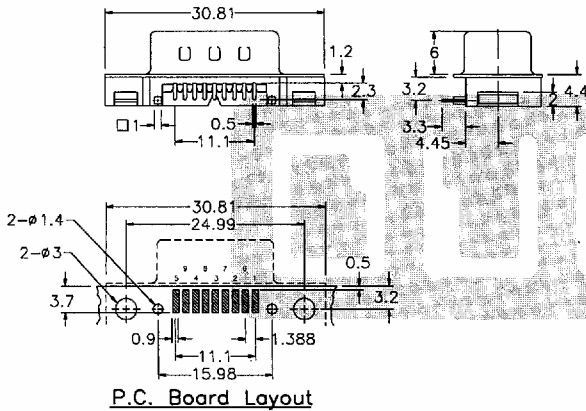
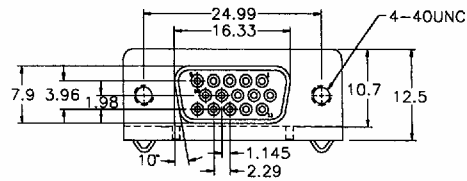
Electrical Characteristics:

Current Rating: 1 AMP.
Insulator Resistance: 5000M Ω min. at DC 500V.
Contact Resistance: 20m Ω max. at DC 100mA.
Operating Temperature: -65°C ~ +125°C.
Max Processing Temperature: 230°C for 30 to 60 seconds.

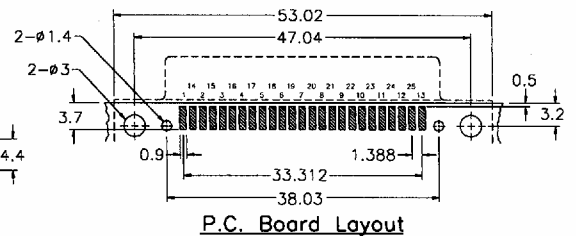
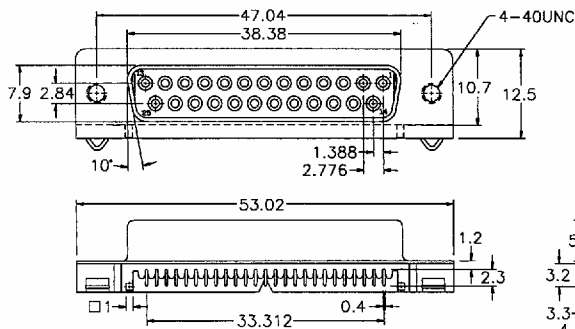
7902-09 Male



7912-15 Female



7902-25 Female



Ordering information

7902-	09	M	C	D
Series	Position	Male	C: Selective Gold Plated	D: S.M.D. Type
7912-	15	F		
Series	Position	Female		
7902-	25	F		
Series	Position	Female		