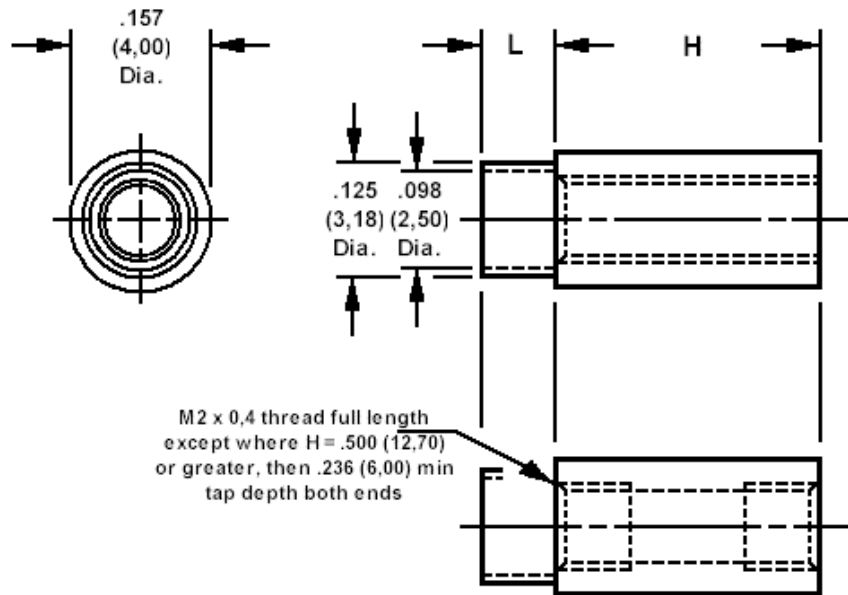


350-5140 Spacer/Stand-off, round, threaded, swage mount



How to order code

350-5140-XX-YY-00

Basic Part No XX = H & L dimensions, YY = Plating Finish

DIMENSIONS (XX)								
Basic Part #	(XX)						H	Swage Anvil
350-5140	-12	-22	-32	-42	-62	-82	.157 (4,00)	A
	-13	-23	-33	-43	-63	-83	.236 (6,00)	B
	-14	-24	-34	-44	-64	-84	.315 (8,00)	B
	-15	-25	-35	-45	-65	-85	.394 (10,00)	B
	-16	-26	-36	-46	-66	-86	.472 (12,00)	B
	-17	-27	-37	-47	-67	-87	.630 (16,00)	C
-18	-28	-38	-48	-68	-88	.787 (20,00)	C	
L	.063 (1,60)	.094 (2,40)	.126 (3,20)	.156 (3,95)	.219 (5,55)	.281 (7,15)		
For Board Thickness	.031 (0,79)	.062 (1,59)	.094 (2,38)	.125 (3,18)	.188 (4,76)	.250 (6,35)		

MATERIALS			
Component	Material	Finish (YY)	
Spacer/Stand-Off	Brass	-02 Nickel	-07 Cadmium (plus Chromate)

SWAGE TOOLING		
Recommended Swaging Tools:-		
Punch		435-6638-01-00-00
Anvil	A	435-6439-01-00-00
	B	435-6439-02-00-00
	C	435-6439-04-00-00