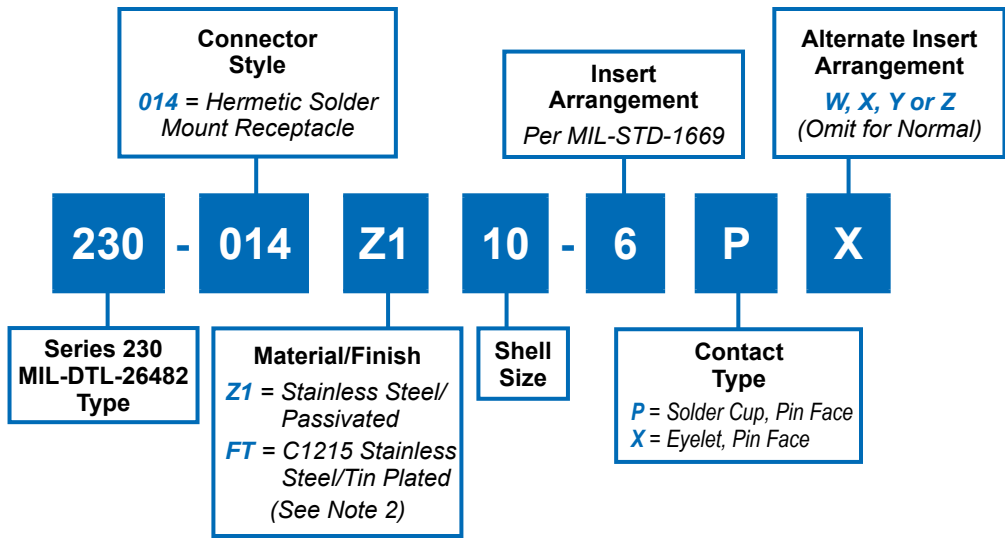
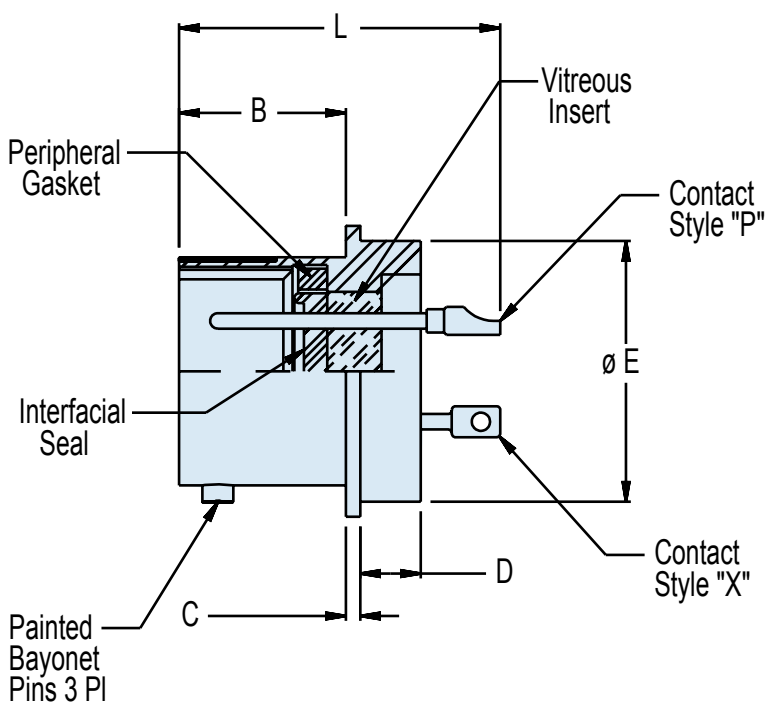




230-014
MIL-DTL-26482 Series I Type Hermetic
Bayonet Coupling Solder Mount Receptacle
MS3113 Type



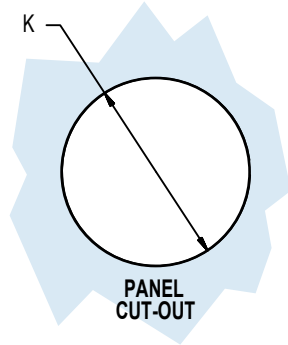
D



230-014
MIL-DTL-26482 Series I Type Hermetic
Bayonet Coupling Solder Mount Receptacle
MS3113 Type



MIL-DTL
26482 Type



HERMETIC LEAK RATE MOD CODES	
Designator	Required Leak Rate
-585A	1 x 10 ⁻¹⁰ cc's Helium per second
-585B	1 x 10 ⁻⁹ cc's Helium per second
-585C	1 x 10 ⁻⁸ cc's Helium per second

TABLE I: CONNECTOR AND CUT-OUT DIMENSIONS						
Shell Size	A Dia ± .016 (0.4)	B Dim +.031 (0.8) -000	C Dim +.016 (0.4) -.005 (0.1)	D Max	E Dim +.001 (.0) -.005 (0.1)	L Max
8	.625 (15.9)	.411 (10.4)	.031 (0.79)	.156 (4.0)	.562 (14.3)	.828 (21.0)
10	.750 (19.1)	.411 (10.4)	.031 (0.79)	.156 (4.0)	.672 (17.1)	.828 (21.0)
12	.844 (21.4)	.411 (10.4)	.031 (0.79)	.156 (4.0)	.781 (19.8)	.828 (21.0)
14	.969 (23.7)	.411 (10.4)	.031 (0.79)	.156 (4.0)	.906 (23.0)	.828 (21.0)
16	1.094 (27.8)	.411 (10.4)	.031 (0.79)	.156 (4.0)	1.031 (26.2)	.828 (21.0)
18	1.218 (30.9)	.411 (10.4)	.031 (0.79)	.156 (4.0)	1.156 (29.4)	.828 (21.0)
20	1.312 (33.3)	.473 (12.0)	.031 (0.79)	.156 (4.0)	1.250 (31.8)	.891 (22.6)
22	1.438 (36.5)	.473 (12.0)	.031 (0.79)	.188 (4.8)	1.375 (34.9)	.921 (23.4)
24	1.563 (39.7)	.506 (12.9)	.031 (0.79)	.188 (4.8)	1.500 (38.1)	.921 (23.4)

D

APPLICATION NOTES

- To be identified with manufacturer's name, part number and date code, space permitting.
- Material/Finish:
 Shell: Z1 - 304L stainless steel/passivate.
 FT - C1215 stainless steel/tin plated.
 Titanium and Inconel® available. Consult factory.
 Contacts - 52 Nickel alloy/gold plate.
 Bayonets - Stainless steel/passivate.
 Seals - Silicone elastomer/N.A.
 Insulation - Glass/N.A.
- Contact current rating - #20-7.5 Amps, #16-10 Amps, #12-17 Amps, #8-35 Amps.
- Consult factory and/or MIL-STD-1669 for arrangement and insert position options.
- Glenair 230-014 will mate with any QPL MIL-DTL-26482 Series I bayonet coupling plug of same size and insert polarization.
- Performance:
 Hermeticity - <1 x 10⁻⁷ cc/sec @ 1 ATM differential.
 Dielectric withstanding voltage - Consult factory or MIL-STD-1669.
 Insulation resistance - 5000 megohms min @500VDC.
- Metric Dimensions (mm) are indicated in parentheses.