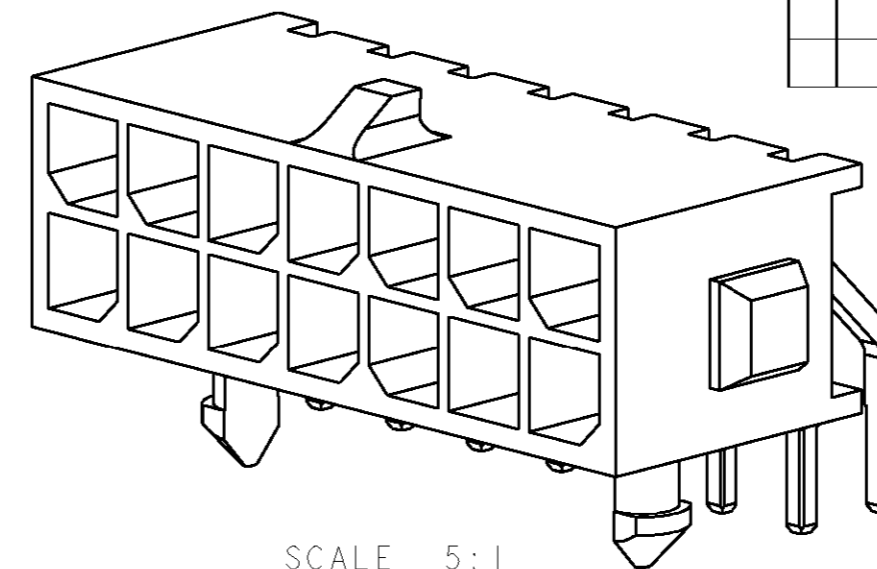
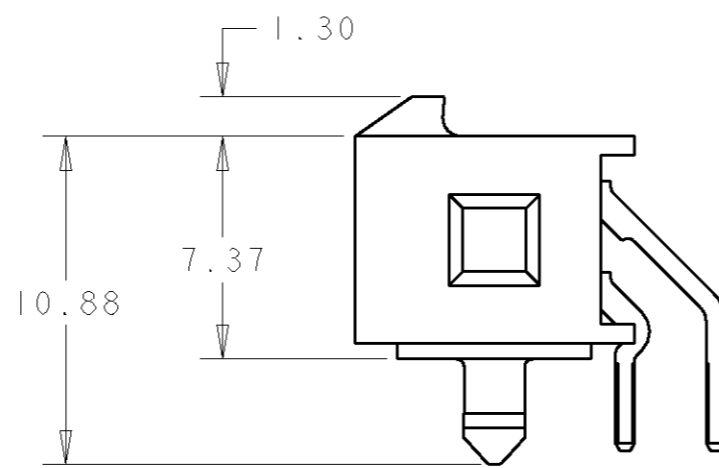
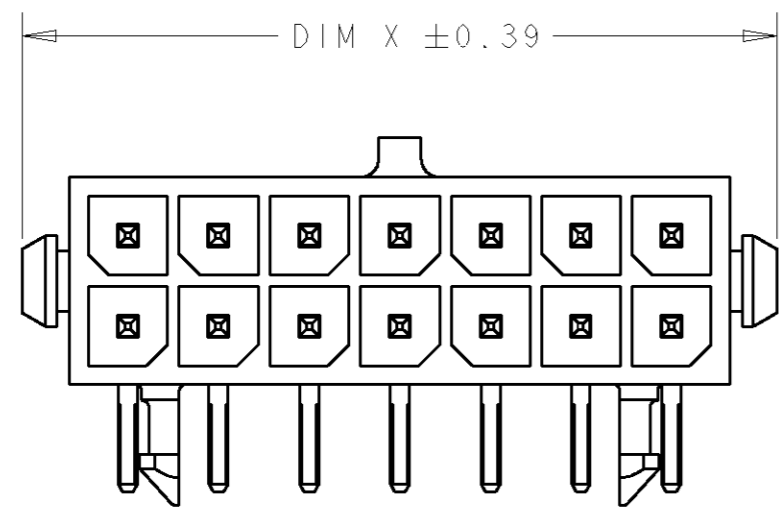
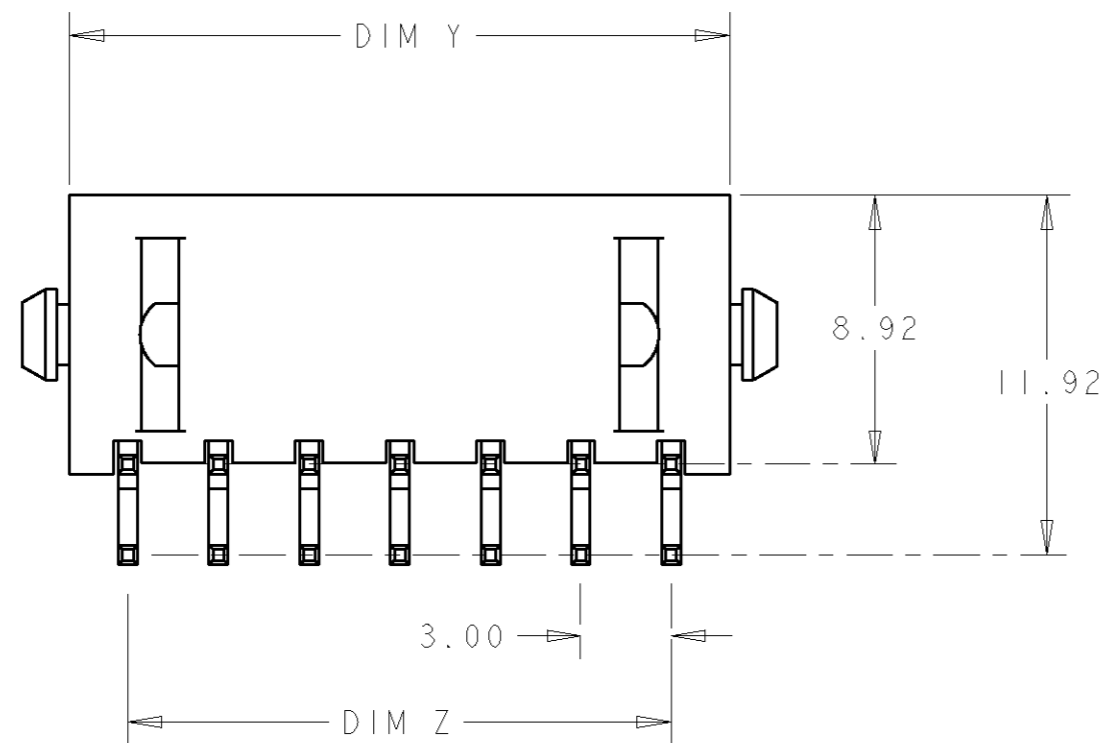


THIS DRAWING IS UNPUBLISHED. RELEASED FOR PUBLICATION 20
 © COPYRIGHT 20 BY TYCO ELECTRONICS CORPORATION. ALL RIGHTS RESERVED.

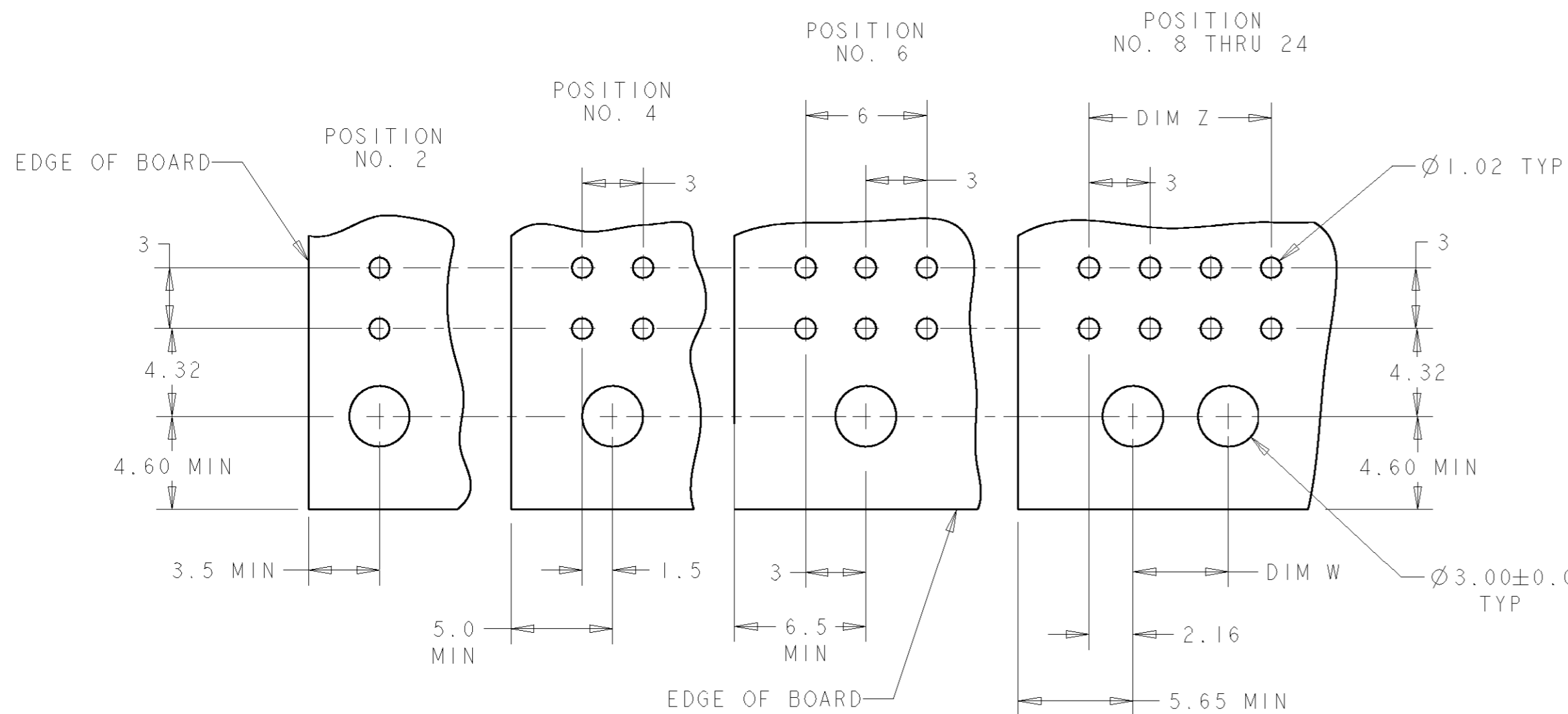
LOC	DIST	REVISIONS					
CM	00	P	LTR	DESCRIPTION	DATE	DWN	APVD
		E		REVISED PER EC 0G3B-0207-05	23-MAR-05	SH	CJ



SCALE 5:1

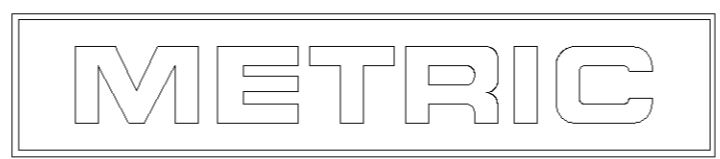


- 1 MATERIAL;
CONTACTS - BRASS.
HOUSING - UL 94V-0 RATED HIGH TEMP NYLON, COLOR; BLACK.
- 2 FINISH;
CONTACTS - 2.54µm MINIMUM TIN-LEAD OVER 1.27µm MINIMUM NICKEL.
- 4 RECOMMENDED PC BOARD THICKNESS OF 1.57.
- 5 FINISH;
CONTACTS - 2.54µm MINIMUM MATTE TIN OVER 1.27µm MINIMUM NICKEL.



FINISH	DIM Y	DIM W	DIM Z	DIM X	NO. OF POSN.	PART NUMBER
5	36.86	28.70	33.00	40.00	24	5-794618-4
5	33.86	25.70	30.00	37.00	22	5-794618-2
5	30.86	22.70	27.00	34.00	20	5-794618-0
5	27.86	19.70	24.00	31.00	18	4-794618-8
5	24.86	16.70	21.00	28.00	16	4-794618-6
5	21.86	13.70	18.00	25.00	14	4-794618-4
5	18.86	10.70	15.00	22.00	12	4-794618-2
5	15.86	7.70	12.00	19.00	10	4-794618-0
5	12.86	4.70	9.00	16.00	8	3-794618-8
5	9.86	-	6.00	13.00	6	3-794618-6
5	6.86	-	3.00	10.00	4	3-794618-4
5	3.86	-	-	7.00	2	3-794618-2
2	36.86	28.70	33.00	40.00	24	2-794618-4
2	33.86	25.70	30.00	37.00	22	2-794618-2
2	30.86	22.70	27.00	34.00	20	2-794618-0
2	27.86	19.70	24.00	31.00	18	1-794618-8
2	24.86	16.70	21.00	28.00	16	1-794618-6
2	21.86	13.70	18.00	25.00	14	1-794618-4
2	18.86	10.70	15.00	22.00	12	1-794618-2
2	15.86	7.70	12.00	19.00	10	1-794618-0
2	12.86	4.70	9.00	16.00	8	794618-8
2	9.86	-	6.00	13.00	6	794618-6
2	6.86	-	3.00	10.00	4	794618-4
2	3.86	-	-	7.00	2	794618-2

RECOMMENDED PCB LAYOUT (COMPONENT SIDE)



THIS DRAWING IS A CONTROLLED DOCUMENT FOR TYCO ELECTRONICS CORPORATION. IT IS SUBJECT TO CHANGE AND THE CONTROLLING ENGINEERING ORGANIZATION SHOULD BE CONTACTED FOR THE LATEST REVISION.		DWN B. HAYMAKER 12AUG99	tyco Electronics		AMP Incorporated Harrisburg, PA 17105-3608
DIMENSIONS: mm		CHK K. COBLE 12AUG99	NAME THRU-HOLE, R/A, TIN HEADER, PLASTIC BOARDLOCK, DUAL ROW, MICRO MATE-N-LOK™		
TOLERANCES UNLESS OTHERWISE SPECIFIED: 0 PLC ±-- 1 PLC ± 2 PLC ±0.13 3 PLC ± 4 PLC ± ANGLES ±		APVD K. COBLE 12AUG99	SIZE A2		
MATERIAL 1		PRODUCT SPEC -	CAGE CODE A200779		
FINISH SEE TABLE		APPLICATION SPEC -	DRAWING NO. 794618		
		WEIGHT -	RESTRICTED TO -		
		CUSTOMER DRAWING	SCALE 4:1 SHEET 1 OF 1 REV E		