

PLEASE CHECK WWW.MOLEX.COM FOR LATEST PART INFORMATION

Part Number: **0191930358**
Status: **Active**
Description: VersaKrimp™ Ring Tongue Terminal for 3/0 AWG Wire

Documents:
[Drawing \(PDF\)](#) [RoHS Certificate of Compliance \(PDF\)](#)

Agency Certification

CSA LR18689
 UL E32244

General

Product Family Ring and Spade Terminals
 Series [19193](#)
 Comments Type I Noninsulated; Class 2
 Crimp Quality Equipment Yes
 Mil-Spec AS20659-121, MS20659-121
 Product Name VersaKrimp™
 Type Ring

Physical

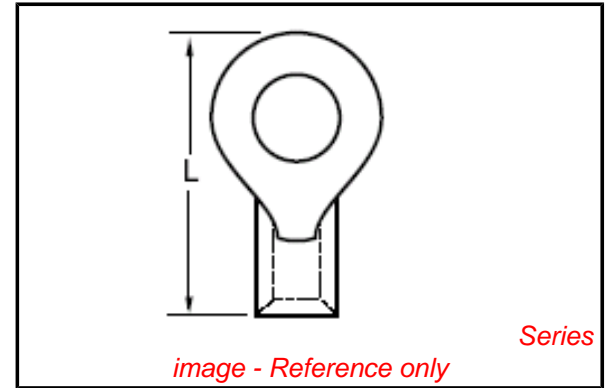
Barrel Type Closed - Brazed
 Insulation None
 Material - Plating Mating Tin
 Packaging Type Bag
 Plating min: Mating (µin) 100
 Plating min: Mating (µm) 2.5
 Plating min: Termination (µin) 100
 Plating min: Termination (µm) 2.5
 Stud Size 3/8" (M9)
 Termination Interface: Style Crimp or Compression
 Wire Size AWG 3/0

Material Info

Old Part Number K-390-38

Reference - Drawing Numbers

Sales Drawing CDK390



EU RoHS

**ELV and RoHS
 Compliant**

REACH SVHC

**Contains SVHC: No
 Halogen-Free**

Status

Halogen-Free

China RoHS



**Need more information on product
 environmental compliance?**

Email productcompliance@molex.com
 For a multiple part number RoHS Certificate of
 Compliance, [click here](#)

Please visit the [Contact Us](#) section for any
 non-product compliance questions.

Search Parts in this Series

[19193Series](#)

Application Tooling | [FAQ](#)

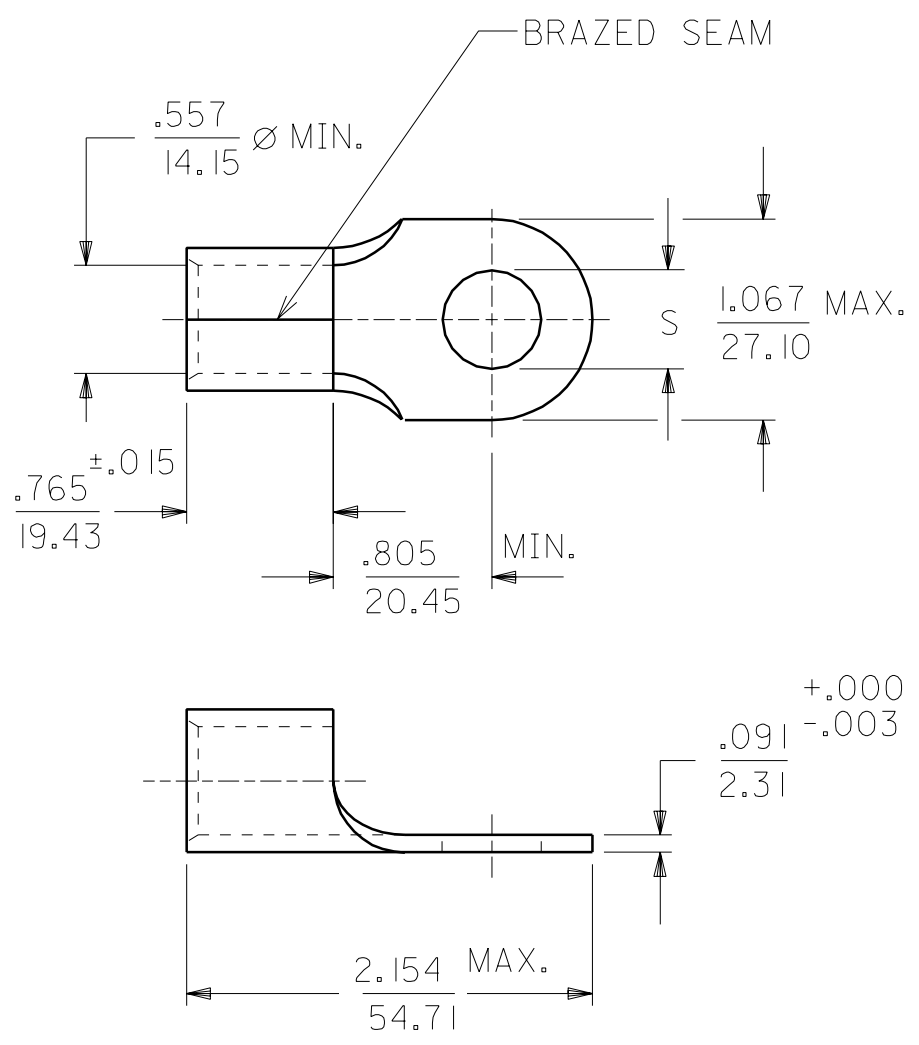
*Tooling specifications and manuals are
 found by selecting the products below.
 Crimp Height Specifications are then
 contained in the Application Tooling
 Specification document.*

Global

Description	Product #
Manual tool for Crimping non- insulated 8AWG thru 4/0 Terminals	0192940008
Die Set (large) for the HHLS Hydraulic Crimper	0192900028

DRWG. NO. CDK390

MATERIAL: COPPER
PLATING: TIN



PART NO.	STUD SIZE	±.003 "S"
K-390-56	5/16	.328
K-390-38	3/8	.390
K-390-76	7/16	.453
K-390-12	1/2	.515
K-390-58	5/8	.656
K-390-34	3/4	.781

WIRE SIZE: 3/0 AWG
95 MM²

REVISE ONLY ON CAD SYSTEM
TITLE RING TONGUE TERMINAL
VERSAKRIMP
3/0 AWG

DRWG. BY EMF
CHK'D. BY JM
APP'D. BY FP
SCALE 1:1

molex ETC INC.
PINELLAS PARK, FLA. 34665 U.S.A.
PART NO. SEE CHART
FILE NAME CDK390

SHEET NO. DATE 12/01/93
DRWG. NO. CDK390
THIS DRAWING CONTAINS INFORMATION THAT IS PROPRIETARY TO MOLEX-ETC INC. AND SHOULD NOT BE USED WITHOUT WRITTEN PERMISSION.
DIV. SIZE A