



SERIES JS 1300 SWITCHES

NAVIGATION SWITCHES



FEATURES & BENEFITS

- ▶ 5-position navigation
- ▶ Very low profile SMT design
- ▶ Unique design

APPLICATIONS/MARKETS

- ▶ Consumer electronics where user interface is needed
- ▶ Handheld instrumentation
- ▶ Navigation
- ▶ Telecommunication

SPECIFICATIONS

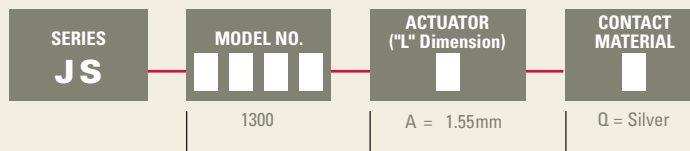
Contact Rating:	20mA @ 12 VDC
Life Expectancy:	200,000 actuations in any direction (X, Y, or Z)
Contact Resistance:	500mΩ
Insulation Resistance:	100MΩ
Dielectric Strength:	100 VAC
Operating Temperature:	-25°C to 70°C
Travel:	Push: 0.15 ±.01mm Tilt: .20 ±.01, (3.5+5/-1°)

MATERIALS

Cover:	Nickel silver
Base:	Nylon
Actuator:	Nylon
Terminals:	Copper alloy, silver plated
Moving Contact:	Stainless steel, silver plated
Tape:	Teflon



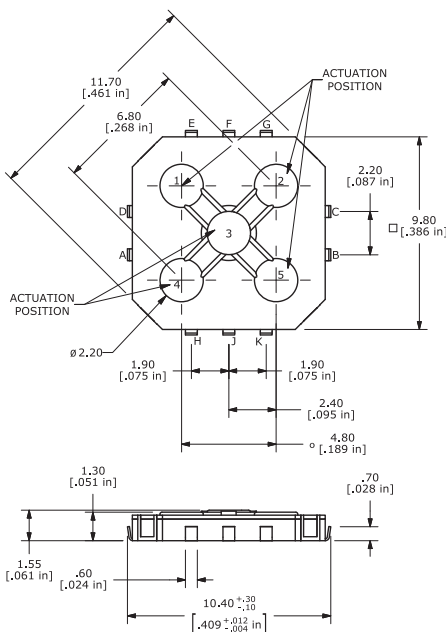
HOW TO ORDER



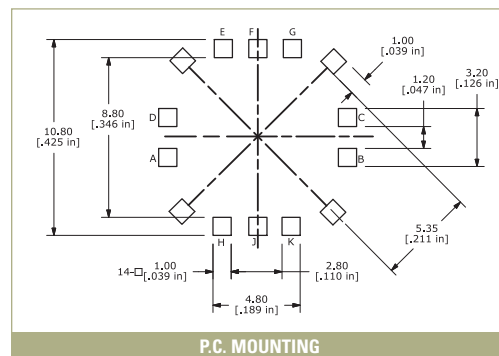
Example Ordering Number
JS-1300-A-Q

Specifications subject to change without notice.

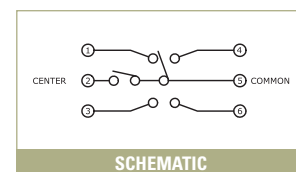
JS 1300



Actuation Position	Circuit
1	D - E
2	C - G
3 (Push)	F - J
4	A - H
5	B - K



P.C. MOUNTING



SCHEMATIC