

International  
**IR** Rectifier

Plug N Drive™ Integrated Power  
 Module for Energy Efficient Motor Drives

IRAM136-0461G  
**iMOTION™ Series**  
**4A, 600V**

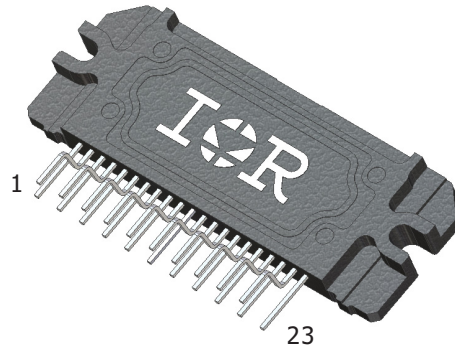
### Description

International Rectifier's IRAM136-0461G is an Integrated Power Module developed and optimized for electronic motor control in energy saving applications. Targeting the sub 300W three-phase motor drive applications, such as fan or refrigerator compressor drives, this module offers the highest level of integration available in the market today. It features an input diode rectification bridge and a three-phase inverter, complete with bootstrap diodes, high voltage gate driver IC, current shunt resistor and temperature sensor. This high performance AC motor-driver is housed in a compact single-in-line isolated package for a very simple design.

The internal shunt offers easy current feedback for precise control and safe operation. A built-in temperature monitor and logic level shut-down function, along with the short-circuit rated IGBTs and integrated under-voltage lockout function, deliver high level of protection and fail-safe operation.

### Features

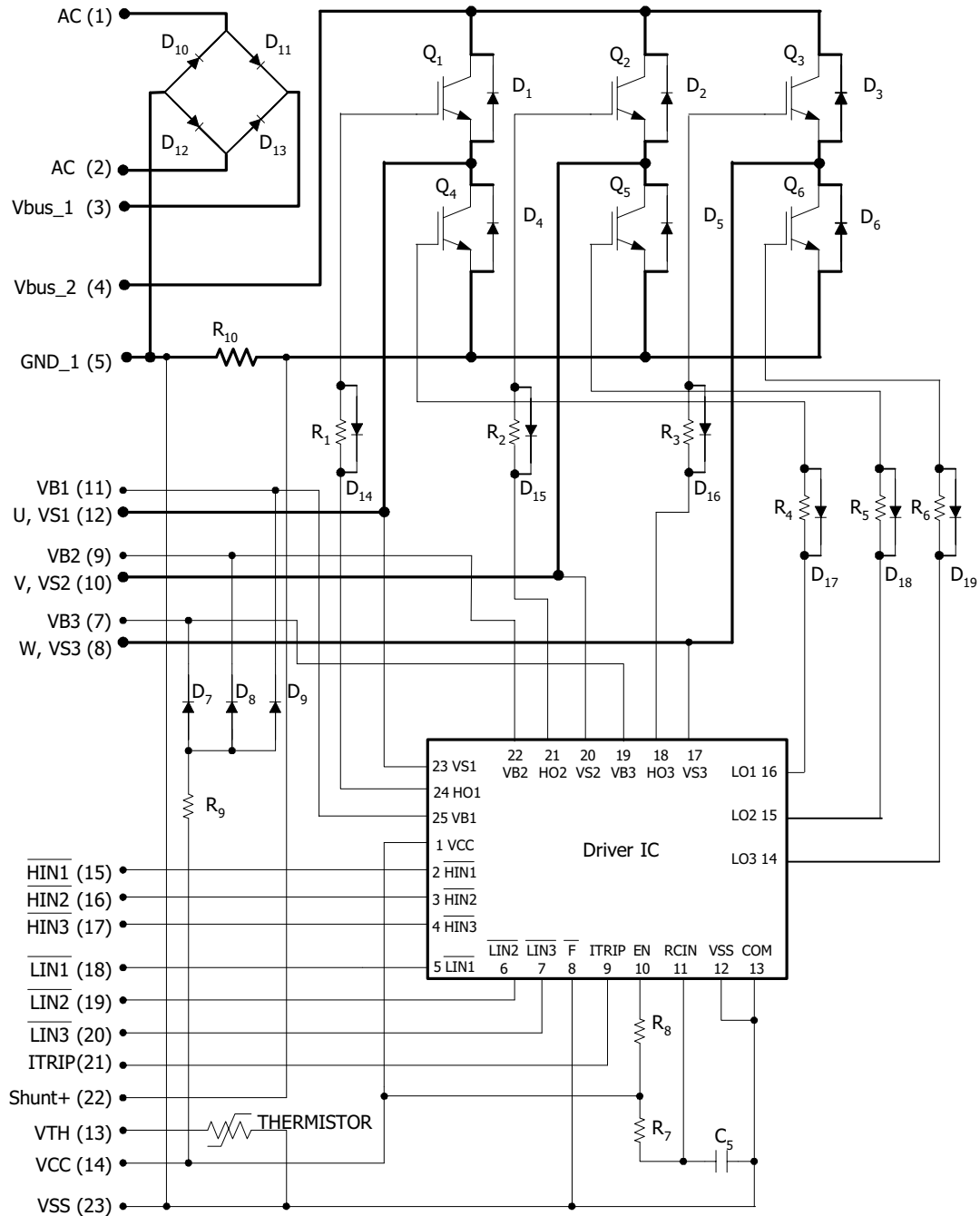
- Internal Rectifier Diode Bridge
- Internal Shunt Resistor
- Integrated Gate Drivers and Bootstrap Diodes
- Temperature Monitor
- Undervoltage lockout for all channels
- Matched propagation delay for all channels
- Schmitt-triggered input logic
- Cross-conduction prevention logic
- Lower di/dt gate driver for better noise immunity
- Motor Power range 0.1~0.3kW / up to 253V, 50/60Hz
- Isolation 2000V<sub>RMS</sub>/1min



### Absolute Maximum Ratings

Parameter	Description	Max. Value	Units
V <sub>RRM</sub>	Input Bridge Blocking Voltage	600	V
V <sub>CES</sub>	IGBT Blocking Voltage	600	
V <sup>+</sup>	Positive Bus Input Voltage	450	
I <sub>O</sub> @ T <sub>C</sub> =25°C	RMS Phase Current (F <sub>PWM</sub> =20kHz)	3.6	
I <sub>O</sub> @ T <sub>C</sub> =100°C	RMS Phase Current (F <sub>PWM</sub> =20kHz)	2	
I <sub>O PK</sub>	Pulsed RMS Phase Current (t <sub>p</sub> <100ms, F <sub>PWM</sub> =20kHz)	5	
F <sub>PWM</sub>	PWM Carrier Frequency	20	kHz
P <sub>d</sub>	Power dissipation per IGBT @ T <sub>C</sub> =25°C	16	W
V <sub>ISO</sub>	Isolation Voltage (1min)	2000	V <sub>RMS</sub>
T <sub>J</sub> (IGBT & Diodes)	Operating Junction temperature Range	-40 to +150	°C
T <sub>J</sub> (Driver IC)	Operating Junction temperature Range	-40 to +150	
T	Mounting torque (M3 screw)	1.0	Nm

## Internal Electrical Schematic - IRAM136-0461G



**Absolute Maximum Ratings (Continued)**

Symbol	Parameter	Max	Units	
$I_{DC}$	Input Bridge DC Output Current	9.4	A	@ $T_C=100^{\circ}C$ , 180° cond. square wave
$I_{F(AV)}$	Average Output Forward Current	8.7	A	@ $T_C=100^{\circ}C$ , 180° cond. sine wave
$I_{FSM}$	Peak One Cycle Non-Repetitive Surge Current @ $T_J = 150^{\circ}C$	100	A	8.3ms Sine Pulse rated $V_{RRM}$ applied
		95	A	10ms Sine Pulse 80% rated $V_{RRM}$ applied
$I^2t$	$I^2t$ for fusing	45.12	$A^2s$	10ms Sine Pulse 80% rated $V_{RRM}$ applied
$I^2t^{0.5}$	$I^2t^{0.5}$ for fusing	638	$A^2s^{0.5}$	$t=0.1$ to 10 ms, no Voltage applied

**Absolute Maximum Ratings Driver Function**

Absolute Maximum Ratings indicate substained limits beyond which damage to the device may occur. All voltage parameters are absolute voltages referenced to COM/ $V_{SS}$ .

Symbol	Parameter	Min	Max	Units	Conditions
$I_{BDF}$	Bootstrap Diode Peak Forward Current	---	4.5	A	$t_p=10ms$ , $T_J = 150^{\circ}C$ , $T_C=100^{\circ}C$
$P_{BR Peak}$	Bootstrap Resistor Peak Power (Single Pulse)	---	25.0	W	$t_p=100\mu s$ , $T_C = 100^{\circ}C$
$V_{S1,2,3}$	High Side floating supply voltage	$V_{B1,2,3} - 25$	$V_{B1,2,3} + 0.3$	V	
$V_{B1,2,3}$	High Side floating supply voltage	-0.3	600	V	
$V_{CC}$	Low Side and logic fixed supply voltage	-0.3	20	V	
$V_{IN}$	Input voltage LIN, HIN, $I_{Trip}$	-0.3	Lower of ( $V_{SS}+15V$ ) or $V_{CC}+0.3V$	V	

## Input Bridge Section Electrical Characteristics @T<sub>J</sub>= 25°C

Symbol	Parameter	Min	Typ	Max	Units	Conditions
V <sub>FM</sub>	Forward Voltage Drop	---	1	1.2	V	@ I <sub>FM</sub> = 4A, T <sub>J</sub> =25°C
		---	0.9	1.05	V	@ I <sub>FM</sub> = 4A, T <sub>J</sub> =150°C
r <sub>t</sub>	Forward Slope resistance	---	22	59	mΩ	T <sub>J</sub> =150°C
V <sub>F(TD)</sub>	Threshold Voltage	---	0.81	0.84	V	
I <sub>RM</sub>	Reverse Leakage Current	---	2	15	μA	T <sub>J</sub> =25°C, V <sub>R</sub> = rated V <sub>RR</sub>
		---	115	190		T <sub>J</sub> =150°C, V <sub>R</sub> = rated V <sub>RR</sub>

## Inverter Section Electrical Characteristics @T<sub>J</sub>= 25°C

Symbol	Parameter	Min	Typ	Max	Units	Conditions
V <sub>(BR)CES</sub>	Collector-to-Emitter Breakdown Voltage	600	---	---	V	V <sub>IN</sub> =5V, I <sub>C</sub> =250μA
ΔV <sub>(BR)CES</sub> / ΔT	Temperature Coeff. Of Breakdown Voltage	---	0.74	---	V/°C	V <sub>IN</sub> =5V, I <sub>C</sub> =1.0mA (25°C - 150°C)
V <sub>CE(ON)</sub>	Collector-to-Emitter Saturation Voltage	---	1.95	2.20	V	I <sub>C</sub> =2A, V <sub>CC</sub> =15V
		---	2.40	2.80		I <sub>C</sub> =2A, V <sub>CC</sub> =15V, T <sub>J</sub> =150°C
I <sub>CES</sub>	Zero Gate Voltage Collector Current	---	1	75	μA	V <sub>IN</sub> =5V, V <sup>+</sup> =600V
		---	160	---		V <sub>IN</sub> =5V, V <sup>+</sup> =600V, T <sub>J</sub> =150°C
V <sub>FM</sub>	Diode Forward Voltage Drop	---	1.25	1.65	V	I <sub>C</sub> =2A
		---	1.20	1.60		I <sub>C</sub> =2A, T <sub>J</sub> =150°C
V <sub>BDFM</sub>	Bootstrap Diode Forward Voltage Drop	--	--	1.25	V	I <sub>F</sub> =1A
		---	---	1.10		I <sub>F</sub> =1A, T <sub>J</sub> =125°C
R <sub>BR</sub>	Bootstrap Resistor Value	---	22	---	Ω	
ΔR <sub>BR</sub> /R <sub>BR</sub>	Bootstrap Resistor Tolerance	---	---	±5	%	

**Inverter Section Switching Characteristics @  $T_j = 25^\circ\text{C}$**

Symbol	Parameter	Min	Typ	Max	Units	Conditions
$E_{ON}$	Turn-On Switching Loss	---	180	260	$\mu\text{J}$	$I_C=2\text{A}$ , $V^+=400\text{V}$ $V_{CC}=15\text{V}$ , $L=1\text{mH}$ Energy losses include "tail" and diode reverse recovery See CT1
$E_{OFF}$	Turn-Off Switching Loss	---	65	140		
$E_{TOT}$	Total Switching Loss	---	245	400		
$E_{REC}$	Diode Reverse Recovery energy	---	5	15		
$t_{RR}$	Diode Reverse Recovery time	---	240	---	ns	See CT1
$E_{ON}$	Turn-on Switching Loss	---	210	305	$\mu\text{J}$	$I_C=2\text{A}$ , $V^+=400\text{V}$ $V_{CC}=15\text{V}$ , $L=1\text{mH}$ , $T_j=150^\circ\text{C}$ Energy losses include "tail" and diode reverse recovery See CT1
$E_{OFF}$	Turn-off Switching Loss	---	80	150		
$E_{TOT}$	Total Switching Loss	---	290	455		
$E_{REC}$	Diode Reverse Recovery energy	---	15	35		
$t_{RR}$	Diode Reverse Recovery time	---	285	---	ns	See CT1
$Q_G$	Turn-On IGBT Gate Charge	---	0.84	1.3	nC	$I_C=2\text{A}$ , $V^+=400\text{V}$ , $V_{GE}=15\text{V}$
RBSOA	Reverse Bias Safe Operating Area	FULL SQUARE				$T_j=150^\circ\text{C}$ , $I_C=2\text{A}$ , $V_P=600\text{V}$ $V^+=450\text{V}$ $V_{CC}=+15\text{V}$ to $0\text{V}$ See CT3
SCSOA	Short Circuit Safe Operating Area	10	---	---	$\mu\text{s}$	$T_j=150^\circ\text{C}$ , $V_P=600\text{V}$ , $V^+=360\text{V}$ , $V_{CC}=+15\text{V}$ to $0\text{V}$ See CT2
$I_{CSC}$	Short Circuit Collector Current	---	11	---	A	$T_j=150^\circ\text{C}$ , $V_P=600\text{V}$ , $t_{SC}<10\mu\text{s}$ $V^+=360\text{V}$ , $V_{GE}=15\text{V}$ $V_{CC}=+15\text{V}$ to $0\text{V}$ See CT2

## Recommended Operating Conditions

The Input/Output logic timing diagram is shown in Figure 1. For proper operation the device should be used within the recommended conditions. All voltages are absolute referenced to COM/ $V_{SS}$ . The offset is tested with all supplies biased at 15V differential (Note 2)

Symbol	Definition	Min	Max	Units
AC	AC input voltage	---	253	V
AC	AC input frequency	50	60	Hz
$V_{B1,2,3}$	High side floating supply voltage	$V_S+12$	$V_S+20$	V
$V_{S1,2,3}$	High side floating supply offset voltage	Note 3	450	
$V_{CC}$	Low side and logic fixed supply voltage	12	20	V
$V_{ITRIP}$	$I_{TRIP}$ input voltage	$V_{SS}$	$V_{SS}+5$	
$V_{IN}$	Logic input voltage LIN, HIN	$V_{SS}$	$V_{SS}+5$	V

Note 2: For more details, see IR21365 data sheet

Note 3: Logic operational for  $V_S$  from GND -5V to GND +600V. Logic state held for  $V_S$  from GND -5V to GND - $V_{BS}$ . (please refer to DT97-3 for more details)

## Static Electrical Characteristics Driver Function

$V_{BIAS}$  ( $V_{CC}$ ,  $V_{BS1,2,3}$ )=15V, unless otherwise specified. The  $V_{IN}$  and  $I_{IN}$  parameters are referenced to  $V_{SS}/COM$  and are applicable to all six channels. (Note 2)

Symbol	Definition	Min	Typ	Max	Units
$V_{IH}$	Logic "0" input voltage	3.0	---	---	V
$V_{IL}$	Logic "1" input voltage	---	---	0.8	V
$V_{CCUV+}$ $V_{BSUV+}$	$V_{CC}$ and $V_{BS}$ supply undervoltage Positive going threshold	10.6	11.1	11.6	V
$V_{CCUV-}$ $V_{BSUV-}$	$V_{CC}$ and $V_{BS}$ supply undervoltage Negative going threshold	10.4	10.9	11.4	V
$V_{CCUVH}$ $V_{BSUVH}$	$V_{CC}$ and $V_{BS}$ supply undervoltage lock-out hysteresis	---	0.2	---	V
$V_{IN,Clamp}$	Input Clamp Voltage (HIN, LIN, T/ $I_{TRIP}$ ) $I_{IN}=10\mu A$	4.9	5.2	5.5	V
$I_{QBS}$	Quiescent $V_{BS}$ supply current $V_{IN}=0V$	---	---	165	$\mu A$
$I_{QCC}$	Quiescent $V_{CC}$ supply current $V_{IN}=0V$	---	---	3.35	mA
$I_{LK}$	Offset Supply Leakage Current	---	---	60	$\mu A$
$I_{IN+}$ , $I_{EN+}$	Input bias current $V_{IN}=5V$	---	200	300	$\mu A$
$I_{IN-}$ , $I_{EN-}$	Input bias current $V_{IN}=0V$	---	100	220	$\mu A$
$I_{TRIP+}$	$I_{TRIP}$ bias current $V_{ITRIP}=5V$	---	30	100	$\mu A$
$I_{TRIP-}$	$I_{TRIP}$ bias current $V_{ITRIP}=0V$	---	0	1	$\mu A$

**Static Electrical Characteristics Driver Function (Continued)**

Symbol	Definition	Min	Typ	Max	Units
$V(I_{TRIP})$	$I_{TRIP}$ threshold Voltage	3.85	4.3	4.75	V
$V(I_{TRIP,HYS})$	$I_{TRIP}$ Input Hysteresis	---	150	---	mV
$R_{ON,FLT}$	Falut Output ON Resistance	---	70	100	Ohm

**Dynamic Electrical Characteristics**

Driver only timing unless otherwise specified.

Symbol	Parameter	Min	Typ	Max	Units	Conditions
$T_{ON}$	Input to Output propagation turn-on delay time (see fig.11)	---	700	---	ns	$V_{CC}=V_{BS}= 15V, I_C=2A, V^+=400V$
$T_{OFF}$	Input to Output propagation turn-off delay time (see fig. 11)	---	515	---	ns	
$T_{FLIN}$	Input Filter time (HIN, LIN)	100	200	---	ns	$V_{IN}=0$ & $V_{IN}=5V$
$T_{BLT-Trip}$	$I_{TRIP}$ Blanking Time	100	150	---	ns	$V_{IN}=0$ & $V_{IN}=5V$
$D_T$	Dead Time ( $V_{BS}=V_{CC}=15V$ )	220	290	360	ns	$V_{BS}=V_{CC}=15V$
$M_T$	Matching Propagation Delay Time (On & Off)	---	40	75	ns	$V_{CC}= V_{BS}= 15V$ , external dead time > 400ns
$T_{ITrip}$	$I_{Trip}$ to six switch to turn-off propagation delay (see fig. 2)	---	---	1.75	$\mu s$	$V_{CC}=V_{BS}= 15V, I_C=10A, V^+=300V$
$T_{FLT-CLR}$	Post $I_{Trip}$ to six switch to turn-off clear time (see fig. 2)	---	7.7	---	ms	$T_C = 25^\circ C$
		---	6.7	---		$T_C = 100^\circ C$

## Thermal and Mechanical Characteristics

Symbol	Parameter	Min	Typ	Max	Units	Conditions
$R_{th(J-C)}$ IGBT	Junction to case thermal resistance (IGBT).	---	6.6	7.6	°C/W	Flat, greased surface. Heatsink compound thermal conductivity 1W/mK
$R_{th(J-C)}$ FW Diode	Junction to case thermal resistance (FW Diode).	---	8.8	10.8		
$R_{th(J-C)}$ Input Diode	Junction to case thermal resistance (Input Diode).	---	6.0	7.5		
$R_{th(C-S)}$	Case to Sink thermal resistance	---	0.1	---		
T	Mounting Torque	0.5	0.6	1.0	Nm	Mounting Torque

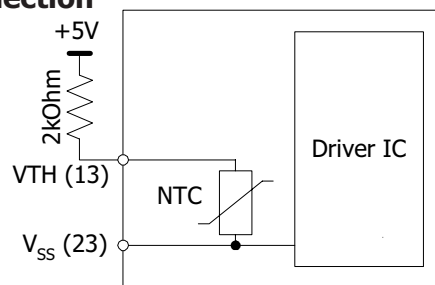
## Internal Current Sensing Resistor - Shunt Characteristics

Symbol	Parameter	Min	Typ	Max	Units	Conditions
$R_{Shunt}$	Resistance	336.6	340.0	343.4	mΩ	$T_C = 25^\circ\text{C}$
$T_{Coeff}$	Temperature Coefficient	0	---	200	ppm/°C	
$P_{Shunt}$	Power Dissipation	---	---	1.5	W	$-40^\circ\text{C} < T_C < 100^\circ\text{C}$
$T_{Range}$	Temperature Range	-40	---	125	°C	

## Internal NTC - Thermistor Characteristics

Parameter	Definition	Min	Typ	Max	Units	Conditions
$R_{25}$	Resistance	20.9	22	23.1	kΩ	$T_C = 25^\circ\text{C}$
$R_{125}$	Resistance	2.25	2.52	2.5	kΩ	$T_C = 125^\circ\text{C}$
B	B-constant (25-50°C)	3832	3950	4335	k	$R_2 = R_1 e^{[B(1/T_2 - 1/T_1)]}$
Temperature Range		-40		125	°C	
Typ. Dissipation constant			1		mW/°C	$T_C = 25^\circ\text{C}$

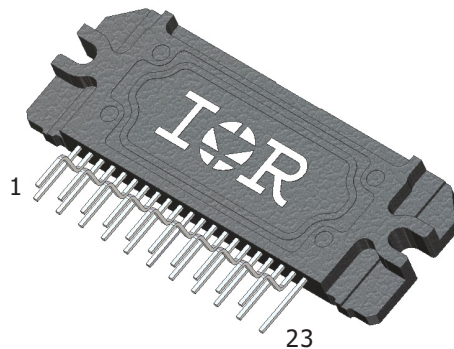
## Thermistor Pin Connection





**Module Pin-Out Description**

Pin	Name	Description
1	AC	AC Input
2	AC	AC Input
3	Vbus_1	Input Bridge Positive Output
4	Vbus_2	Positive Bus Input Voltage
5	GND	Negative Bus Input Voltage
6	na	none
7	VB3	High Side Floating Supply voltage 3
8	W,VS3	Output 3 - High Side Floating Supply Offset Voltage 3
9	VB2	High Side Floating Supply voltage 2
10	V,VS2	Output 2 - High Side Floating Supply Offset Voltage 2
11	VB1	High Side Floating Supply voltage 1
12	U,VS1	Output 1 - High Side Floating Supply Offset Voltage 1
13	VTH	Temperature Feedback
14	VCC	+15V Main Supply
15	$\overline{\text{HIN1}}$	Logic Input High Side Gate Driver - Phase 1
16	$\overline{\text{HIN2}}$	Logic Input High Side Gate Driver - Phase 2
17	$\overline{\text{HIN3}}$	Logic Input High Side Gate Driver - Phase 3
18	$\overline{\text{LIN1}}$	Logic Input Low Side Gate Driver - Phase 1
19	$\overline{\text{LIN2}}$	Logic Input Low Side Gate Driver - Phase 2
20	$\overline{\text{LIN3}}$	Logic Input Low Side Gate Driver - Phase 3
21	$I_{\text{TRIP}}$	Current Sense and Itrip Pin
22	Shunt+	Positive Current Sense
23	VSS	Logic Ground



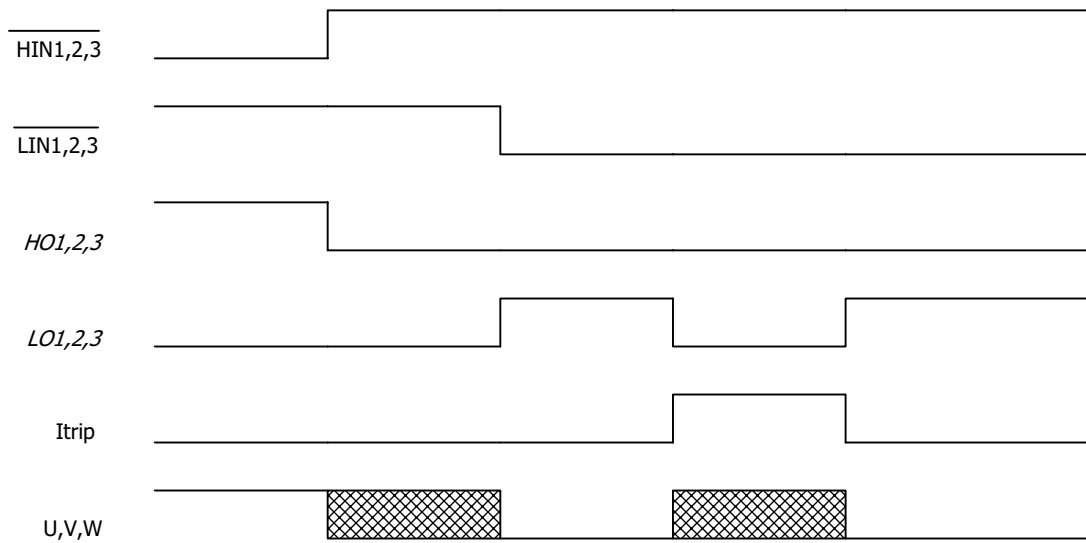
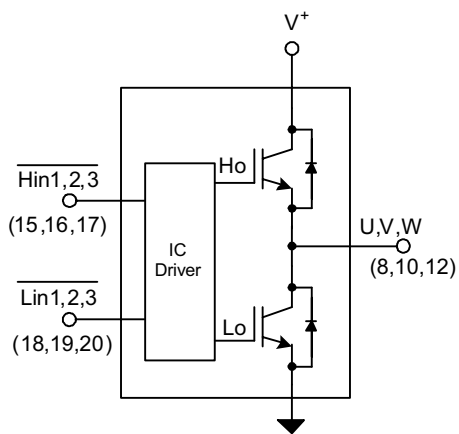


Figure1. Input/Output Timing Diagram

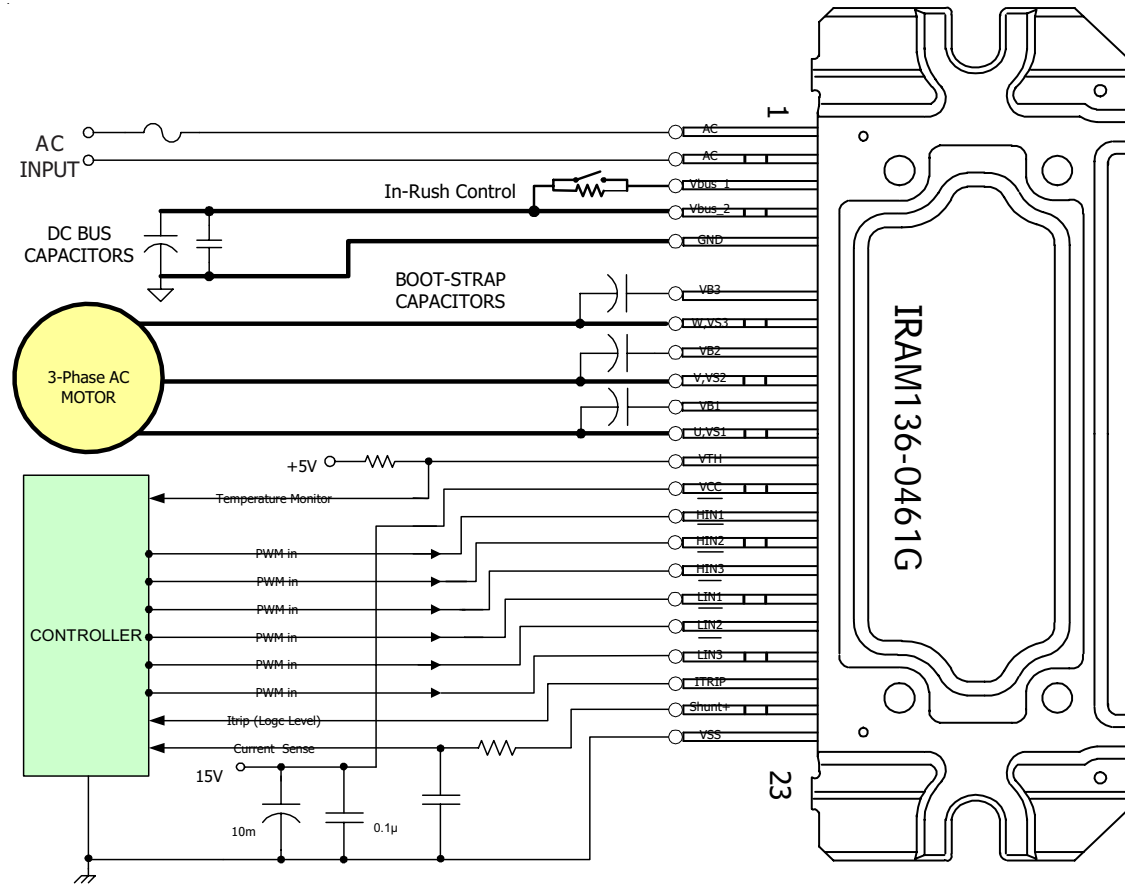
Note 4: The shaded area indicates that both high-side and low-side switches are off and therefore the half-bridge output voltage would be determined by the direction of current flow in the load.

## Input-Output Logic Level Table



$I_{TRIP}$	$\overline{HIN1,2,3}$	$\overline{LIN1,2,3}$	$U,V,W$
0	0	1	$V^+$
0	1	0	0
0	1	1	X
1	X	X	X

**Typical Application Connection IRAM136-0461G**



1. Electrolytic bus capacitors should be mounted as close as possible to the module bus terminals to reduce ringing and EMI problems. Additional high frequency ceramic capacitors mounted close to the module pins will improve performance.
2. In order to provide good decoupling between  $V_{CC}$ - $V_{SS}$  and  $V_B$ - $V_S$  terminals, the capacitors connected between these terminals should be located very close to the module pins. Additional high frequency capacitors, typically  $0.1\mu\text{F}$ , are strongly recommended.
3. Value of the boot-strap capacitors depends upon the switching frequency. Their selection should be made based on IR design tip DN 98-2a, application note AN-1044 or Figure 9.
4. Current sense signal can be obtained from pin 22 and pin 23
5. After approx. 9 ms the FAULT is reset
6. PWM generator must be disabled within Fault duration to guarantee shutdown of the system, and the overcurrent condition must be cleared before resuming operation

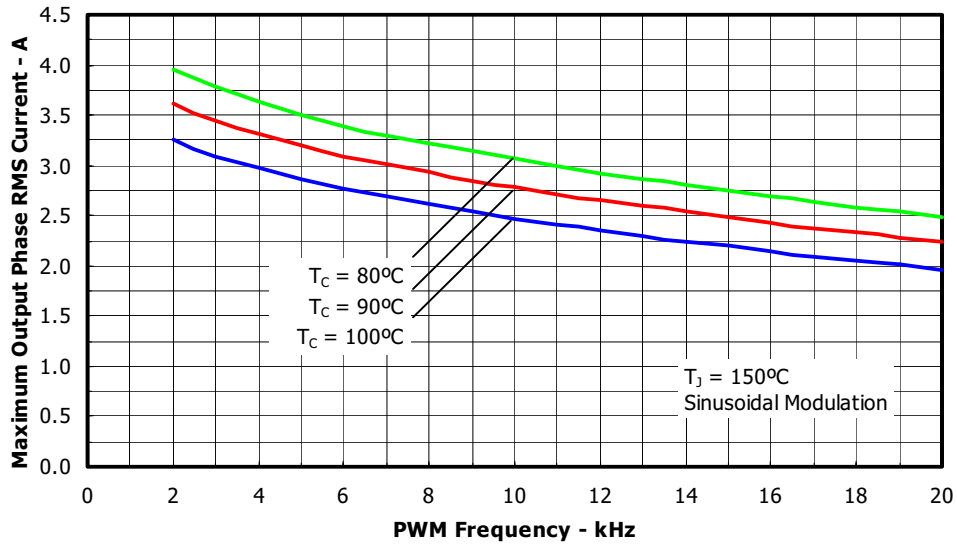


Figure 3. Maximum Sinusoidal Phase Current vs. PWM Switching Frequency  
 $V_{BUS}=400\text{V}$  ,  $T_J=150^\circ\text{C}$ , Modulation Depth=0.8, PF=0.6

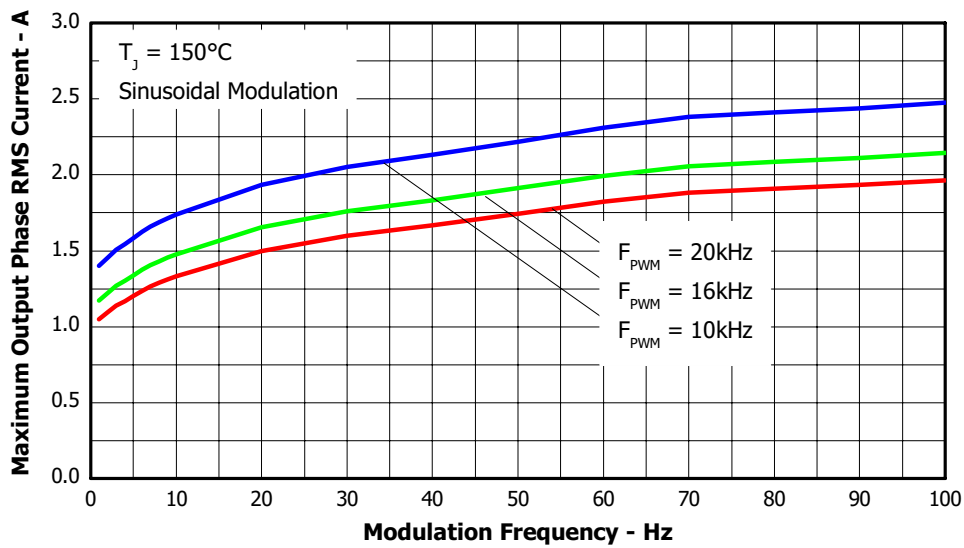


Figure 4. Maximum Sinusoidal Phase Current vs. Modulation Frequency  
 $V_{BUS}=400\text{V}$ ,  $T_J=150^\circ\text{C}$ ,  $T_C=100^\circ\text{C}$ , Modulation Depth=0.8, PF=0.6

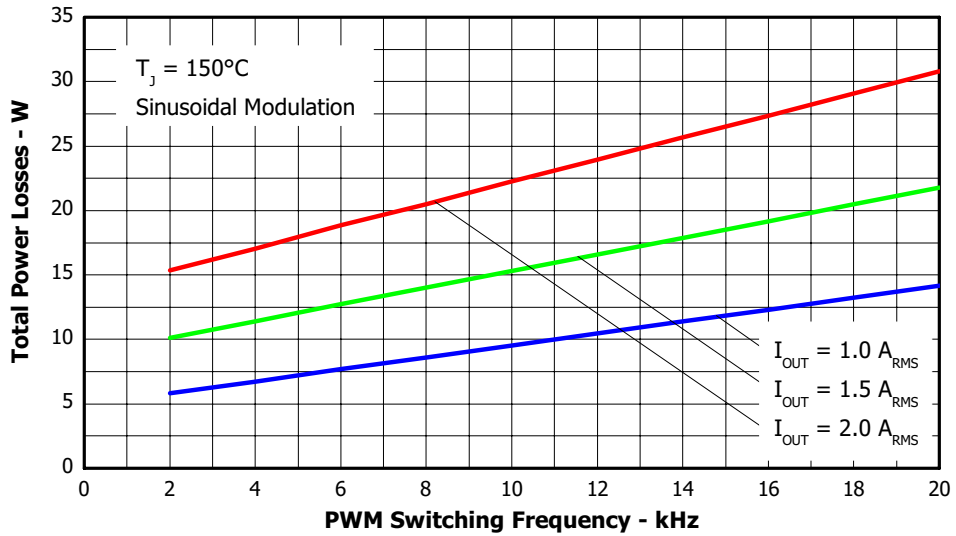


Figure 5. Total Power Losses vs. PWM Switching Frequency, Sinusoidal modulation  
 $V_{BUS}=400\text{V}$  ,  $T_j=150^\circ\text{C}$ , Modulation Depth=0.8, PF=0.6

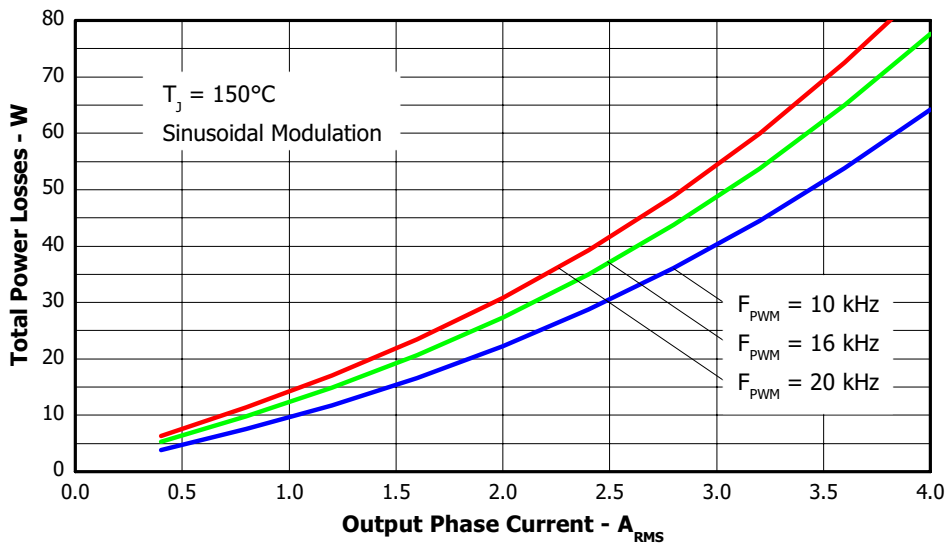


Figure 6. Total Power Losses vs. Output Phase Current, Sinusoidal modulation  
 $V_{BUS}=400\text{V}$  ,  $T_j=150^\circ\text{C}$ , Modulation Depth=0.8, PF=0.6

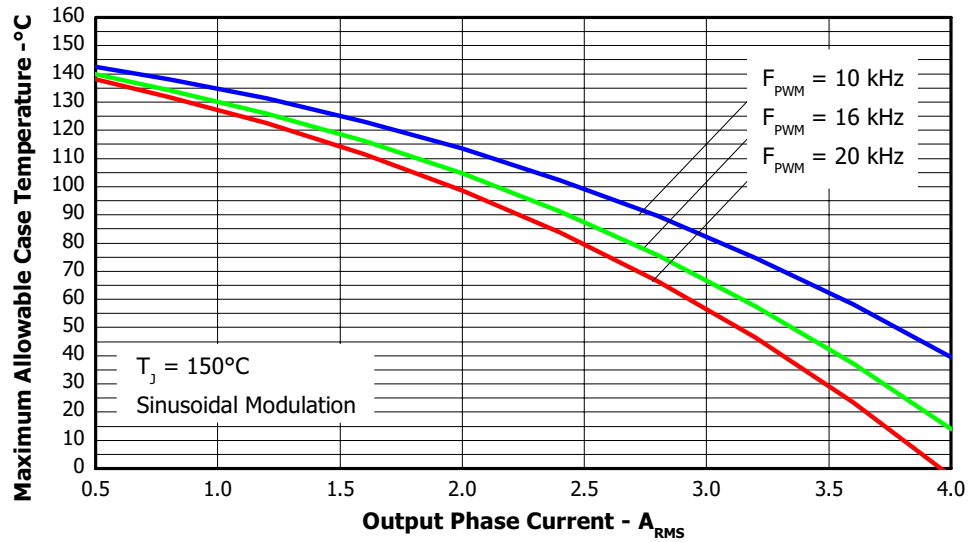


Figure 7. Maximum Allowable Case temperature vs. Output RMS Current per Phase

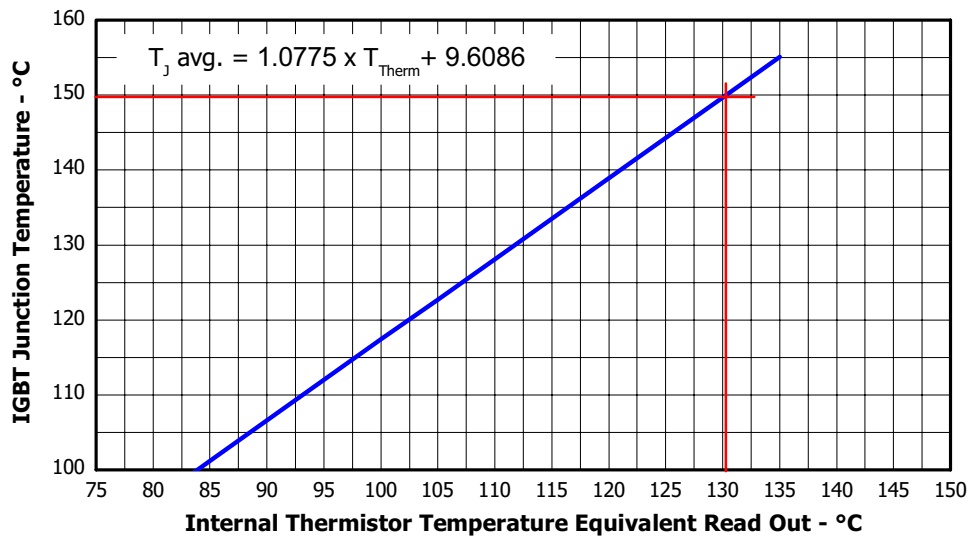


Figure 8. Estimated Maximum IGBT Junction Temperature vs. Thermistor Temperature

V<sub>BUS</sub>=400V, I<sub>PHASE</sub>=1.3A<sub>RMS</sub>, F<sub>PWM</sub>=16kHz

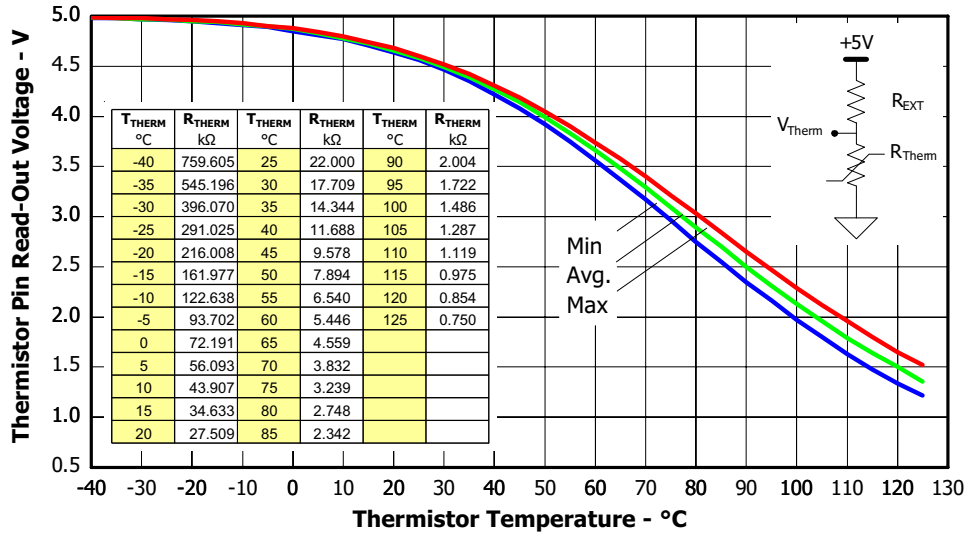


Figure 9. Thermistor Readout vs. Temperature (2kohm pull-up resistor, 5V) and Nominal Thermistor Resistance values vs. Temperature Table.

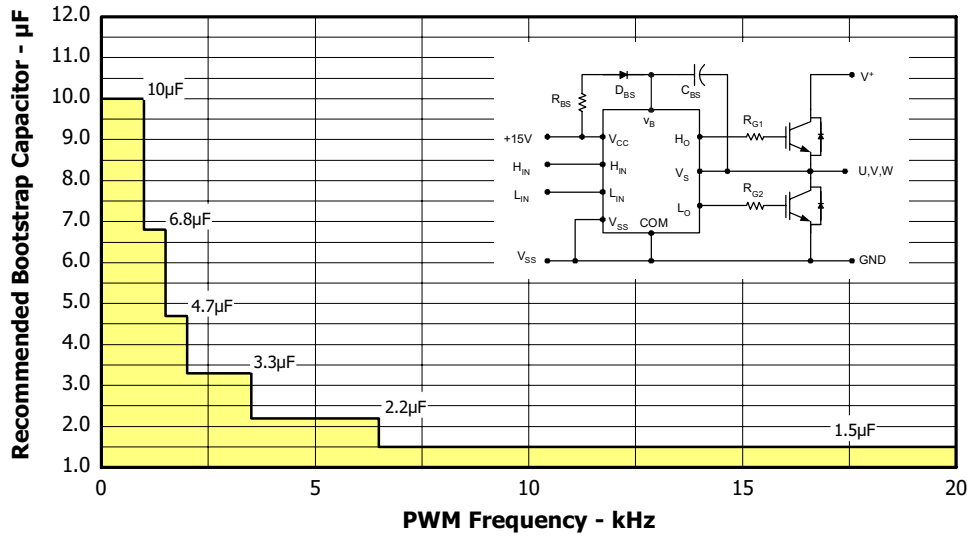


Figure 10. Recommended Bootstrap Capacitor Value vs. Switching Frequency

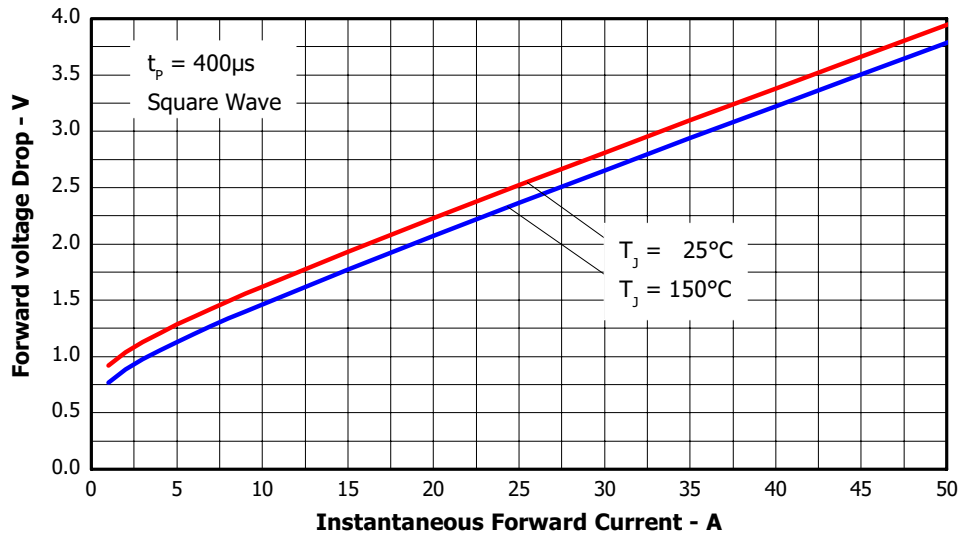


Figure 11. Maximum Forward voltage Drop (Input Bridge Rectifier)

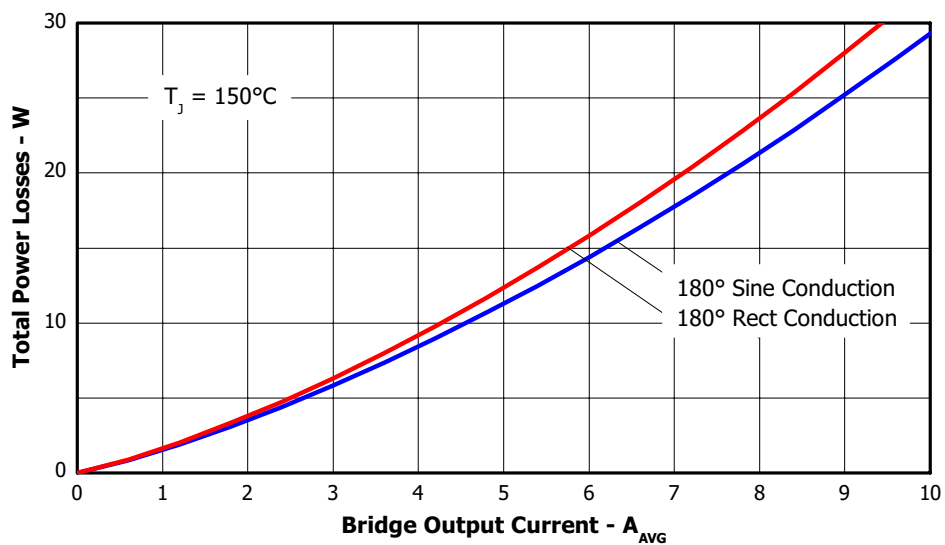


Figure 12. Maximum Power Loss vs. Output Current (Input Bridge Rectifier)



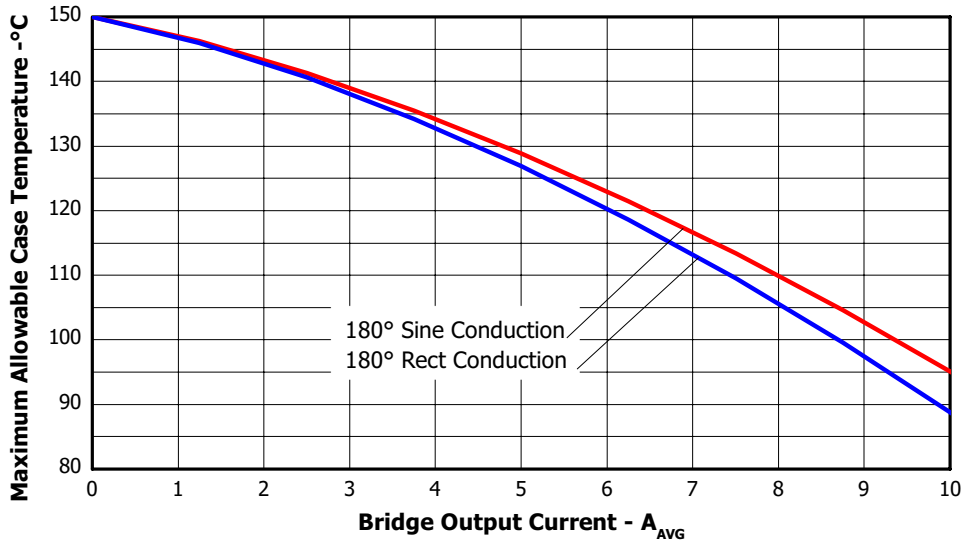


Figure 13. Maximum Allowable Case Temperature vs. Output Current (Input Bridge Rectifier)

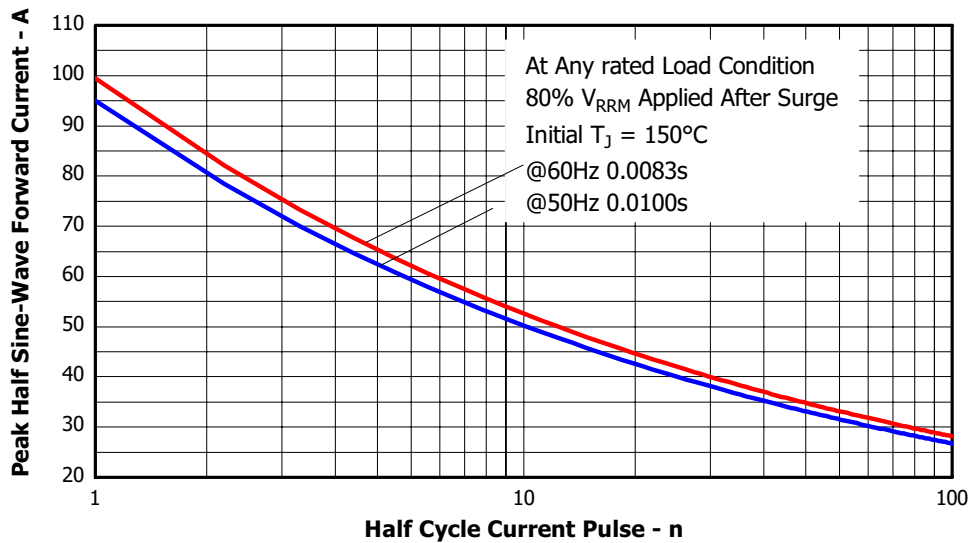


Figure 14. Input Bridge Maximum Non-Repetitive Surge Current

Figure 11. Switching Parameter Definitions

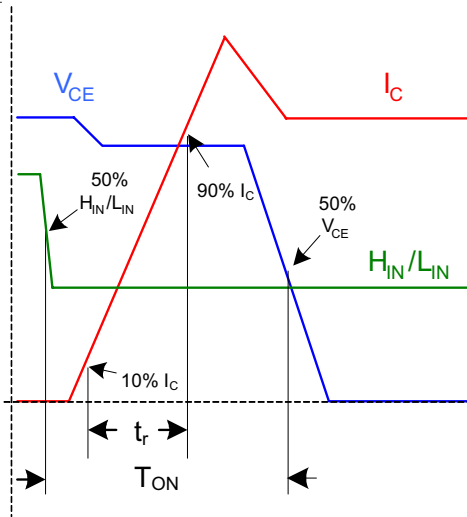


Figure 11a. Input to Output propagation turn-on delay time.

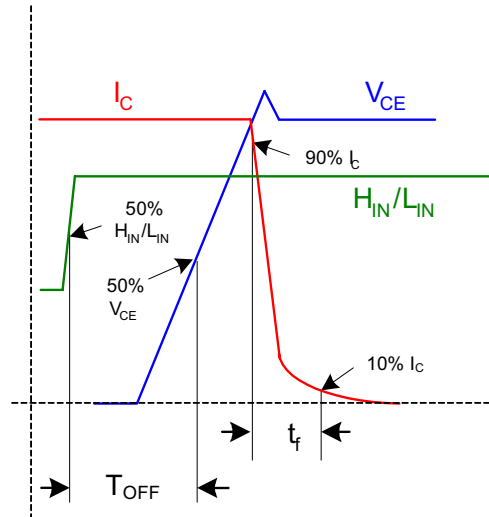


Figure 11b. Input to Output propagation turn-off delay time.

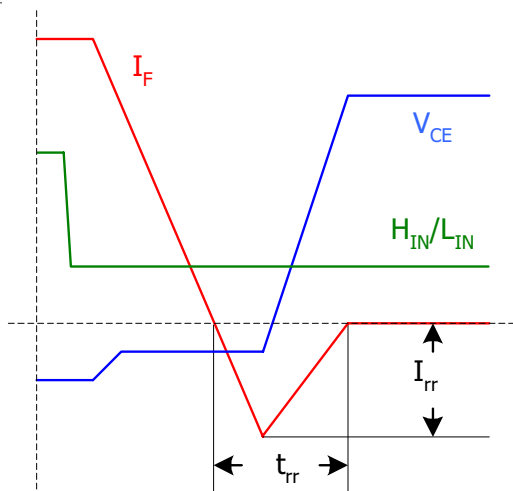


Figure 11c. Diode Reverse Recovery.

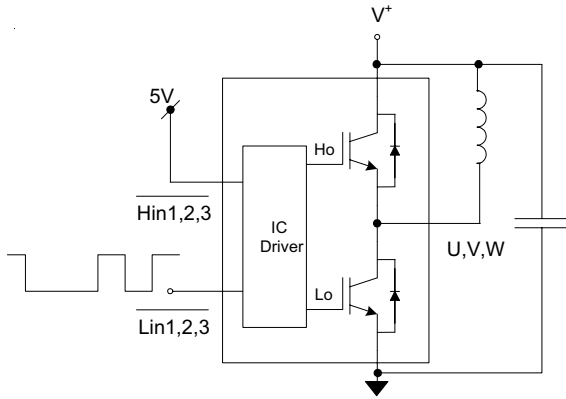


Figure CT1. Switching Loss Circuit

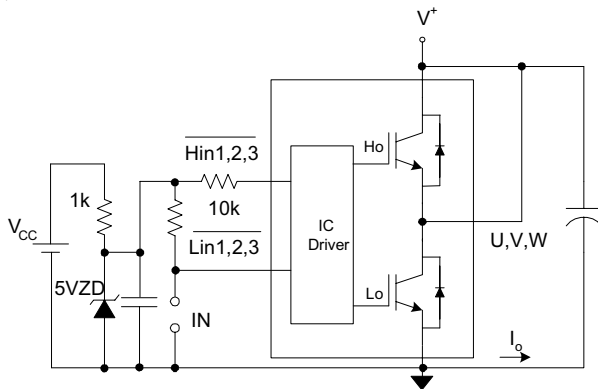
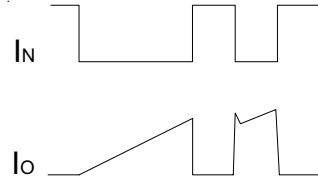


Figure CT2. S.C.SOA Circuit

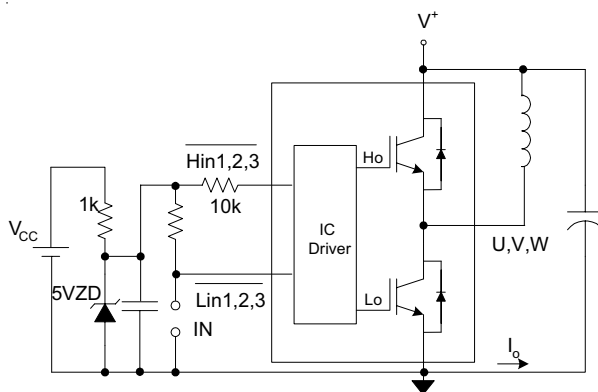
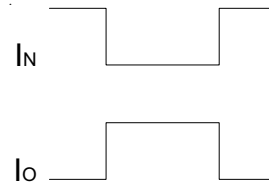
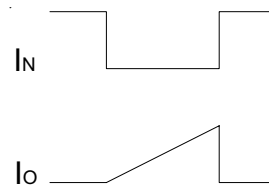
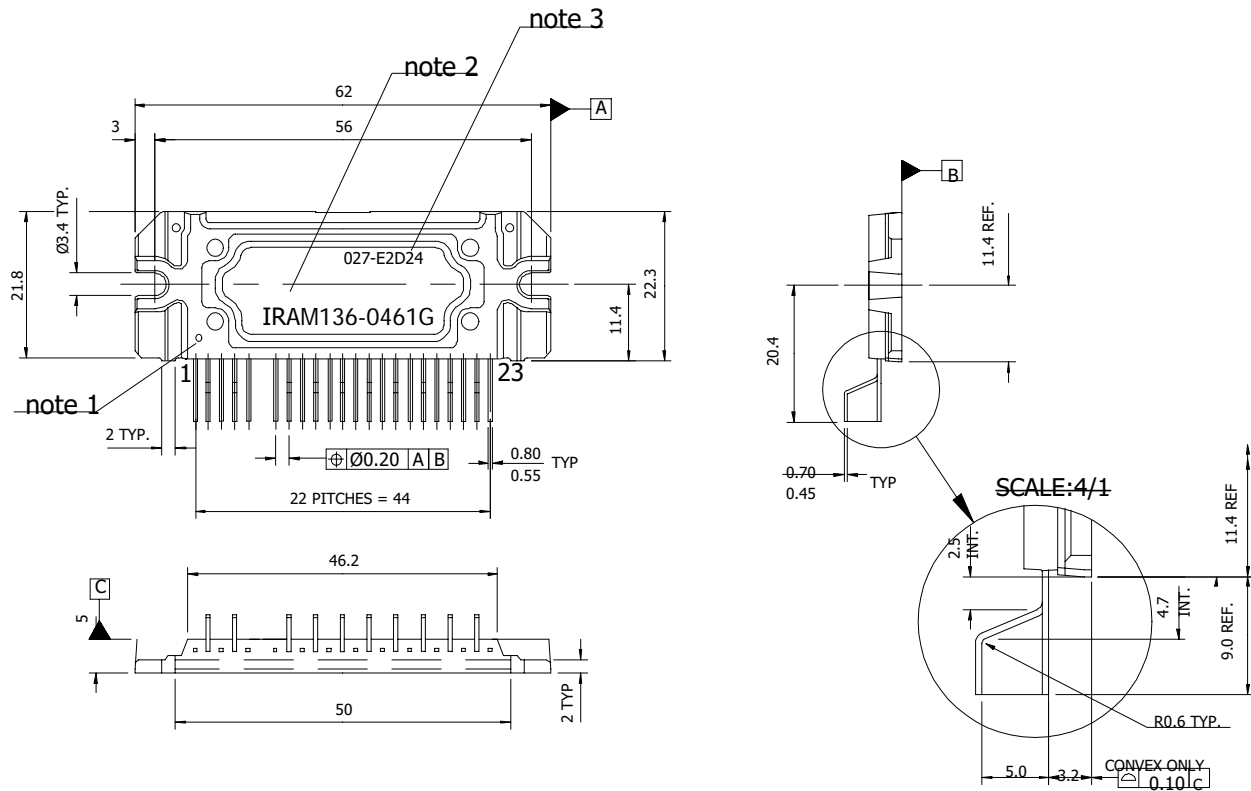


Figure CT3. R.B.SOA Circuit



# IRAM136-0461G

## Package Outline



### Notes:

Dimensions in mm

- 1- Marking for pin 1 identification
- 2- Product Part Number
- 3- Lot and Date code marking

For mounting instruction, see AN1049