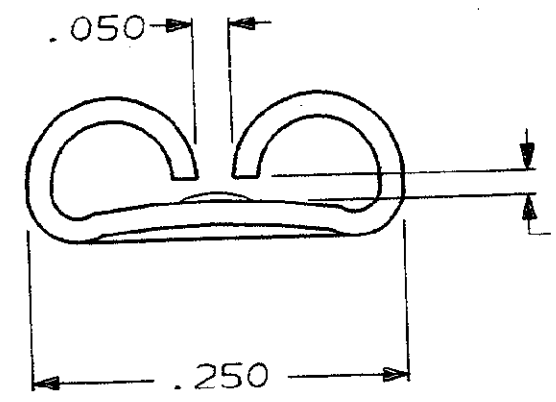
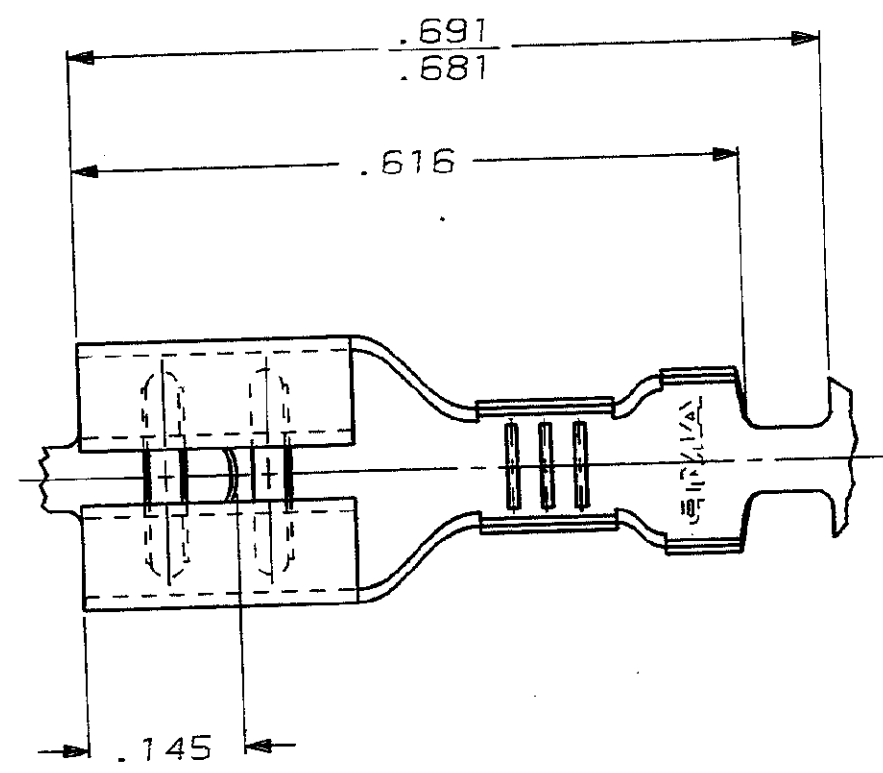


DRAWING MADE IN THIRD ANGLE PROJECTION

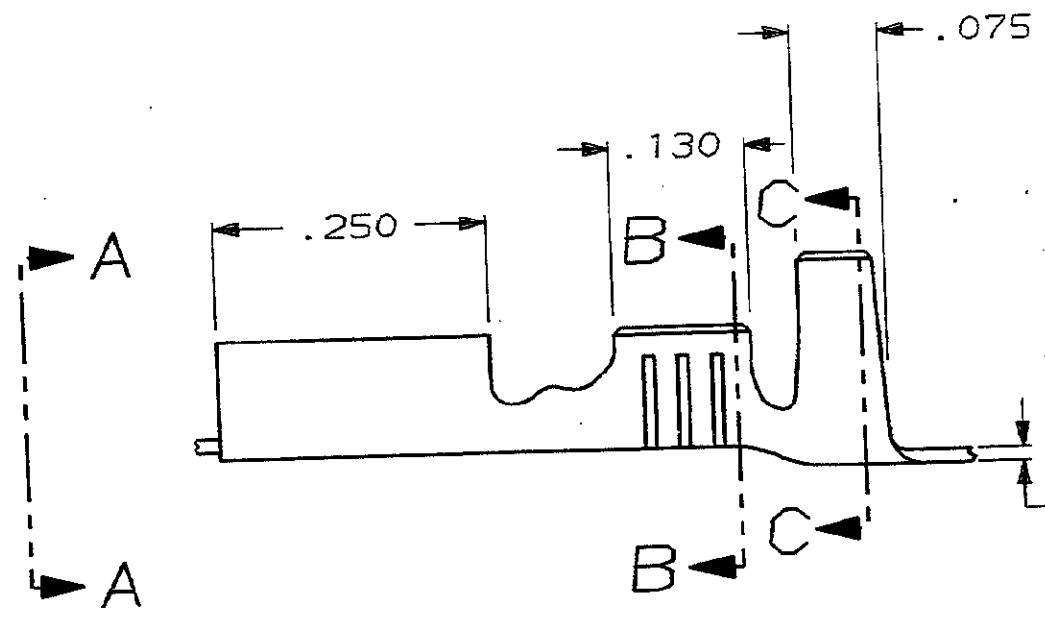
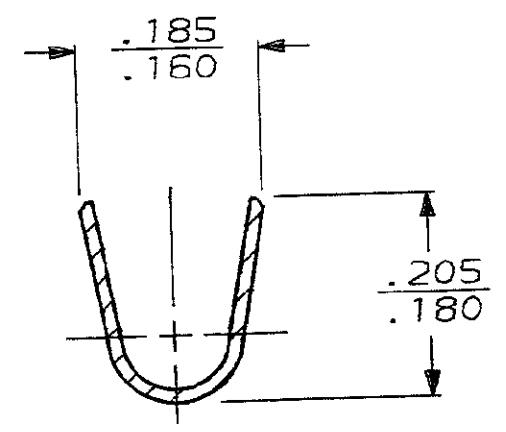
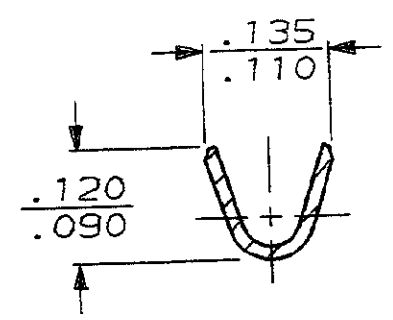
THIS DRAWING IS UNPUBLISHED. RELEASED FOR PUBLICATION .19
 © COPYRIGHT 19 BY AMP INCORPORATED. ALL INTERNATIONAL RIGHTS RESERVED.

LOC	DIST	P	F	ZONE	LTR	REVISIONS	DESCRIPTION	DATE	APPD
AF	50						REDRA PER AF-5809, SEP FROM 42198	2-22-89	OKS



△ TIN PL .000150 MIN THK

FITS '205' SERIES FASTON TAB



OBSOLETE

FINISH	△ NONE	MATING TAB THK ±.001	.032	WIRE SIZE	22-18	INSULATION RANGE	.085 - .125	PART NO	42299-2 42299-1
MATERIAL	#4H BRASS		DO NOT SCALE PRINT. UNLESS SPECIFIED DIMENSIONS IN INCHES TOLERANCES ON: 2 PLC DEC ± - 3 PLC DEC ± .015 ANGLES ± -		DR	AMP INCORPORATED Harrisburg, Pa. 17105			
FINISH	SEE TABLE		MATERIAL		CHK	RECEPTACLE, FASTON,™ "205" SERIES			
			FINISH		APPD	NAME	SIZE	FSCM NO	DRAWING NO
					APPD		B	00779	42299
					WEIGHT		SCALE	6:1	SHEET 1 OF 1

CUSTOMER DRAWING