

Wire to Board Connectors Economy Interconnection (EI) Series Connectors

Horizontal Mount Type (2.5mm Pitch)

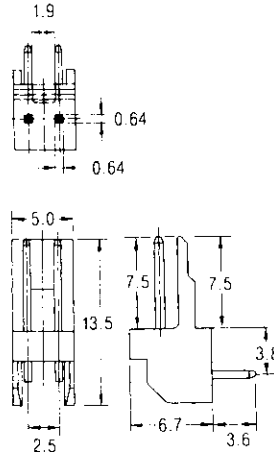
Material & Finish :

Header— Recognized by UL,
flame retardant grade, 94V-0
rated, 66 Nylon

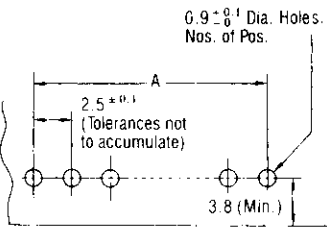
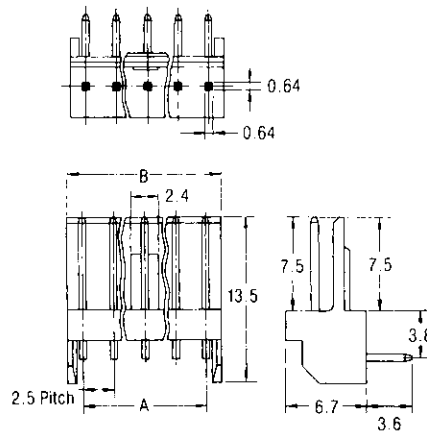
Post— Brass, Tin or gold (See
table) over copper plated



2 Position



3 ~ 12 Position



PC Board Layout

(Applicable board thickness : 1.6mm)

No. of Pos.	Dimensions		Part Number of Horizontal Mount Type				Applied No. of Position
	A	B	Tin Plated			Gold Plated	
			Natural	Black	Blue	Natural	
2	—	—	171826-2	2-171826-2	4-171826-2	176153-2	2
3	5.0	7.5	171826-3	2-171826-3	4-171826-3	176153-3	3
4	7.5	10.0	171826-4	2-171826-4	4-171826-4	176153-4	4
5	10.0	12.5	171826-5	2-171826-5	4-171826-5	176153-5	5
6	12.5	15.0	171826-6	2-171826-6	4-171826-6	176153-6	6
7	15.0	17.5	171826-7	2-171826-7	4-171826-7	176153-7	7
8	17.5	20.0	171826-8	2-171826-8	4-171826-8	176153-8	8
9	20.0	22.5	171826-9	2-171826-9	4-171826-9	—	9
10	22.5	25.0	1-171826-0	3-171826-0	5-171826-0	—	10
12	27.5	30.0	1-171826-2	3-171826-2	5-171826-2	—	12

Note : Other colors are available. Consult our Sales Dept.