

SERIES 160

Compact Protection For Higher Current Ratings

MS25361



- Single-Pole High Performance
- Protection For Heavy-Duty Systems: Protects circuits from 50 to 100 amps
- Heavy-Duty Construction: Breaker features large contacts and wide terminals
- Not Sensitive To Frequency: May be used on either AC or DC circuits
- Qualified: To MIL-C-5809 and MS25361

Designed to protect heavy-duty aircraft and non-aircraft electrical systems, this trip-free breaker features separate, durable, overload and mechanical latches. In addition, the overload latch is designed for precise operation. Extra heavy contacts are spring-loaded to maintain high-contact pressure and assure long life. Contact material has high resistance to arcing and the corrosive action of moisture—thus assuring low voltage drop throughout the life of the breaker.

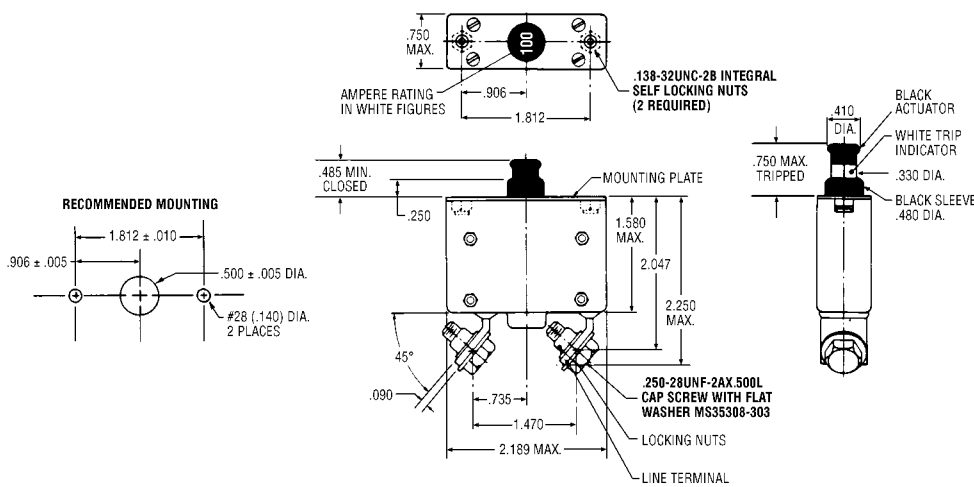
The 160 series is the only heavy-duty aircraft-type circuit breaker available in the 50 to 100 ampere rating range.

Performance Data	
Interrupting Capacity:	6,000 amps at 30V, DC. 3,500 amps at 120V, 400 Hz., AC
Endurance:	At 120VAC, 400 Hz.: inductive load—5,000 cycles; resistive load—5,000 cycles; at 30V, DC: inductive load—2,500 cycles; resistive load—5,000 cycles; mechanical cycling, no load—5,000 cycles
Overload Cycling:	100 operations at 200% rated current and rated voltage
Dielectric Strength:	At sea level, 25°C 1,500V, AC. At 70,000 ft., 71°C 500V, AC
Insulation Resistance:	Not less than 100 megohms at 500V, DC
Voltage Drop:	0.15V, maximum
Vibration:	Meets specification MIL STD. 202, Method 204, Condition A—10g, 10–500 Hz. MS "V" type series (160-086) meets Condition B 15g, 10–2,000 Hz., and Condition C 10g 10–2,000 Hz. (Random vibration also available)
Shock:	Exceeds 30 g's, 11 Millisec (half-sine pulse) MIL STD. 202, Method 213 Test J
Acceleration:	Exceeds 10 g's
Weight:	113 grams (0.25 lbs.)

Overload Calibration Data							
Specification Table	@ 25°C		@ +71°C		@ -40°C		Test Time Parameters
	MIN	MAX	MIN	MAX	MIN	MAX	
Must Hold	105	—	70	—	125	—	% For 1 Hour
Must Trip	—	138	—	125	—	165	% Within 1 Hour
200% Overload	15	65					Seconds
400% Overload	2	10					Seconds
600% Overload	1	4					Seconds

Trip curve available – consult factory

Dimensions



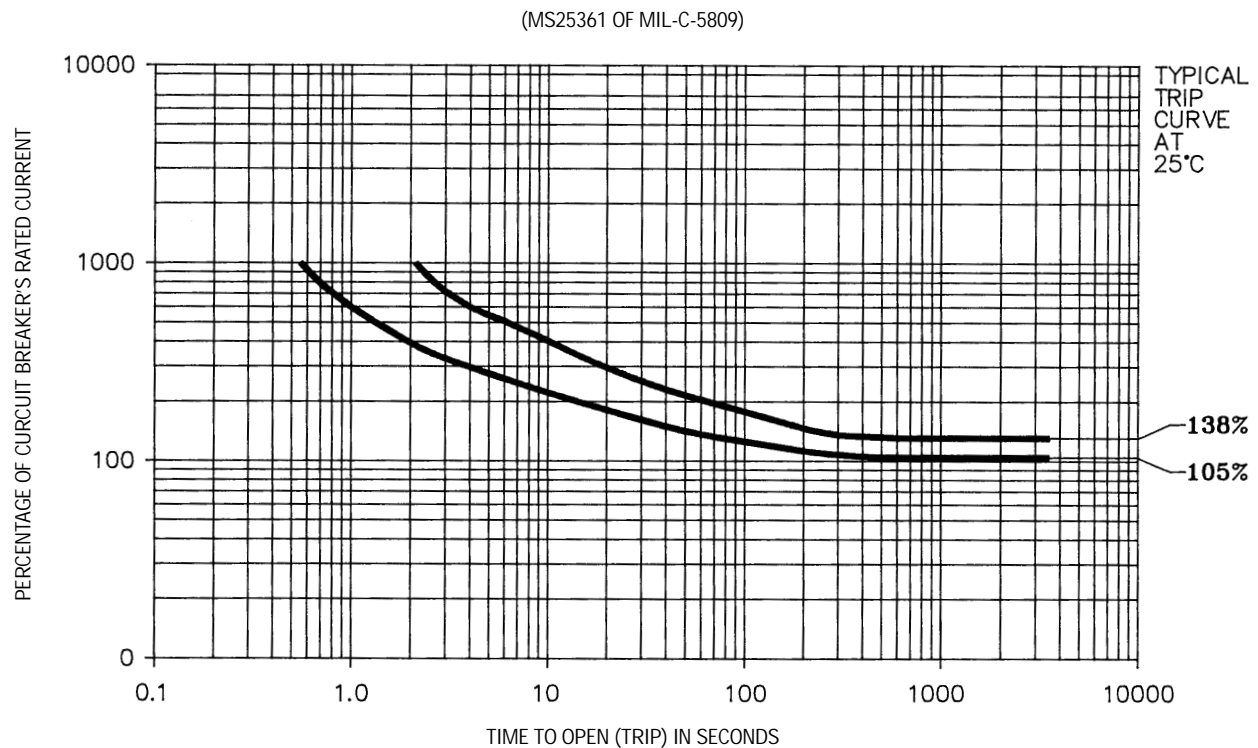
Ordering Information

MS No. Example	Ampere Rating (XX)	Voltage Drop Max.*	Part Numbers	
			Standard Unit MS25361-(XX)	High Vibration MS25361-(XX)V
	50	0.15	160-012-50	160-086-50
	60	0.15	160-012-60	160-086-60
	70	0.15	160-012-70	160-086-70
	75	0.15	160-012-75	160-086-75
	80	0.15	160-012-80	160-086-80
	90	0.15	160-012-90	160-086-90
	100	0.15	160-012-100	160-086-100

*At rated nominal current.
 For other amp ratings, consult factory.

SERIES 160 Compact Protection For Higher Current Ratings

Designed to protect heavy-duty aircraft and non-aircraft electrical systems, this trip-free breaker features separate, durable, overload and mechanical latches. The 160 series is the only heavy-duty aircraft-type circuit breaker available in the 50 to 100 ampere rating range.

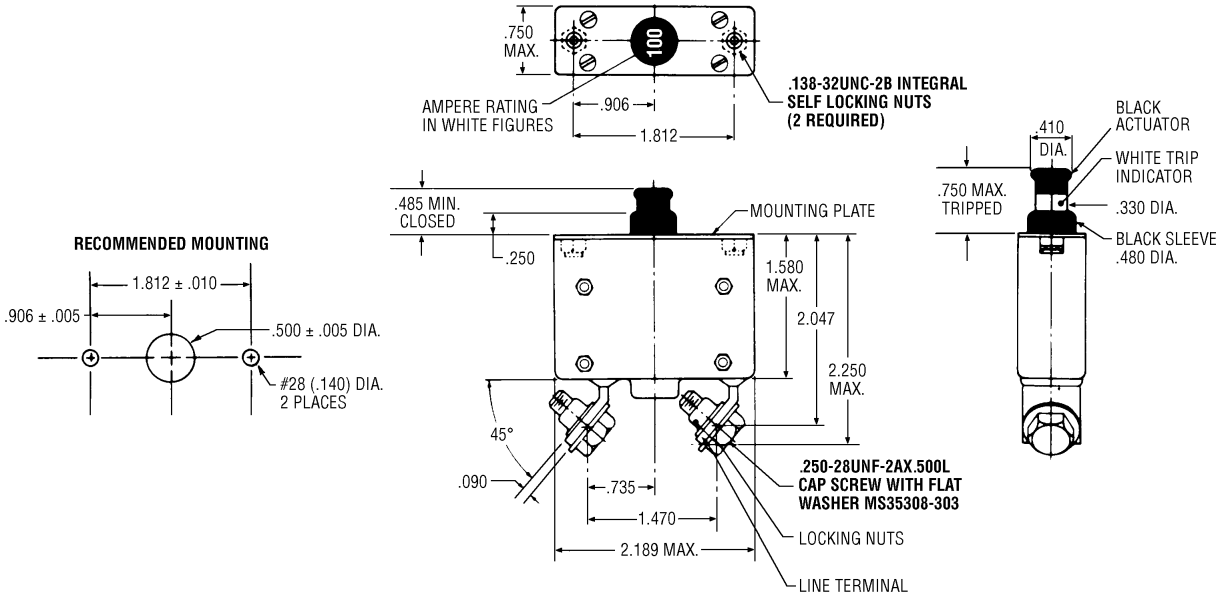


Overload Calibration Data							
Specification Table	@ 25°C		@ +71°C		@ -40°C		Test Time Parameters
	MIN	MAX	MIN	MAX	MIN	MAX	
Must Hold	105	—	70	—	125	—	% For 1 Hour
Must Trip	—	138	—	125	—	165	% Within 1 Hour
200% Overload	15	65					Seconds
400% Overload	2	10					Seconds
600% Overload	1	4					Seconds



Mechanical Products, Inc.
1824 River Street, P.O. Box 729, Jackson, MI 49204
(517) 782-0391, FAX (517) 782-2810

SERIES 160 Dimensions



Mechanical Products, Inc.
 1824 River Street, P.O. Box 729, Jackson, MI 49204
 (517) 782-0391, FAX (517) 782-2810