

Appliance inlet for low voltage, Snap-in Mounting, Front Side, Solder or Quick-connect Terminal



70 °C

**Description**

- Panel Mount:
- Snap-in version, Frontside
- Appliance Inlet, Pin temperature 70 °C, Protection class II
- Solder or Quick-Connect

**References**

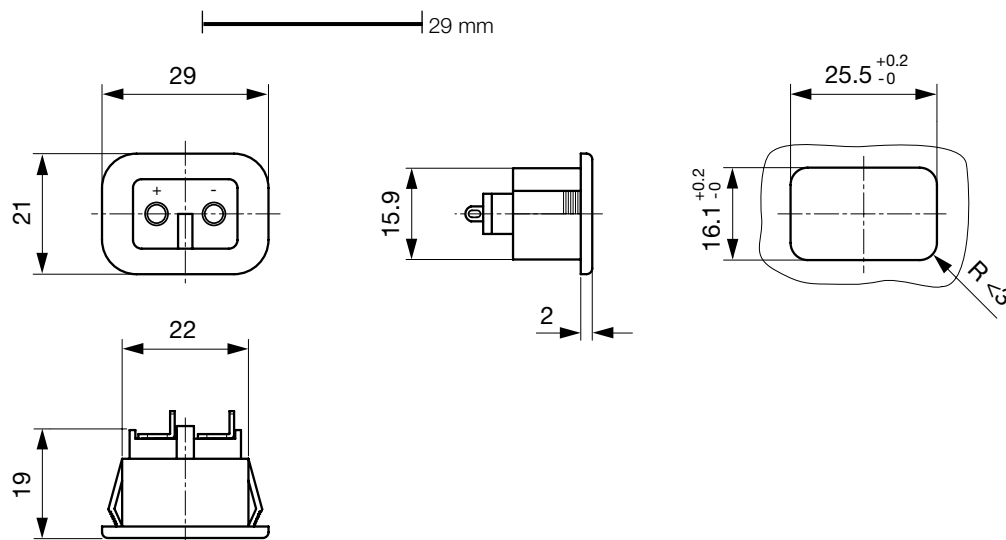
[General Product Information](#)

**Weblinks**

[Approvals](#), [RoHS](#), [CHINA-RoHS](#), [Mating Connectors](#), [e-Store](#), [Distributor-Stock-Check](#), [Accessories](#)

**Technical Data**

Ratings IEC	7 A / 48 VAC; 50 Hz
Allowable Operation Temp.	-25 °C to 70 °C
Degree of Protection	from front side IP 20 acc. to IEC 60529
Protection Class	Suitable for appliances with protection class 2 acc. to IEC 61140
Panel Thickness s	Snap-in version from 1 mm to 1.5 mm
Material: Housing	UL 94V-0

**Dimensions**

length of the terminal please find at the order code configuration table

## Config. Code

Product Configurator

1203 - H - A B C 0 - D - E G F

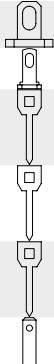
The characters are placeholders for the correspondingly keys of selections from the key tables.

## 1203 - H - A B C 0 - D - E G F = Type

Type	Configuration key
protection class 1	X

## 1203 - H - A B C 0 - D - E G F = Terminals

Terminal L	Configuration key
short solder terminal (L=4,8mm)	2
long solder terminal (L=8,5mm)	3
PCB-terminal (standard)	4
PCB-terminal (short)	5
PCB-terminal (long)	6
blade terminal (2,8x0,8mm)	7



## 1203 - H - A B C 0 - D - E G F = Terminals

Terminal N	Configuration key
short solder terminal (L=4,8mm)	2
long solder terminal (L=8,5mm)	3
PCB-terminal (standard)	4
PCB-terminal (short)	5
PCB-terminal (long)	6
blade terminal (2,8x0,8mm)	7

Symbols similar as in table A

## 1203 - H - A B C 0 - D - E G F = Terminals

Terminal Ground	Configuration key

Symbols similar as in table A

## 1203 - H - A B C 0 - D - E G F = Color

Color	Configuration key
jet black; RAL9005	A
silver grey; RAL7001	B
pure white; RAL9010	D

standard color: black

## 1203 - H - A B C 0 - D - E G F = Style

Style	Configuration key
snap-in standard type	3

## 1203 - H - A B C 0 - D - E G F = Dimension X

Dimension "X"	Configuration key
00	

The dimension "X" is displayed in ( $1/_{10}$  mm). This information is also valid for the order code

## 1203 - H - A B C 0 - D - E G F = Orientation of Terminals

Orientation of Terminals	Configuration key
horizontal	A
vertical	B
vertical right	C

## Variants

Config. Code	Description	Order Number
1203-X-2200-A-300C	1203, Special Connector Designs, 70°C, version: II, L: short solder terminal (L=4,8mm), N: short solder terminal (L=4,8mm), color: jet black; RAL9005, design: snap-in standard type, dimension X: 00	4311.0007
1203-X-7700-A-300C	1203, Special Connector Designs, 70°C, version: II, L: blade terminal (2,8x0,8mm), N: blade terminal (2,8x0,8mm), color: jet black; RAL9005, design: snap-in standard type, dimension X: 00	4311.0008

The listed variants should be available from stock. Other versions on request [www.schurter.com/contact](http://www.schurter.com/contact)

Packaging unit 100 Pcs

## Mating Outlets/Connectors

### Category / Description



[Interconnection Cord Overview complete](#)

Interconnection Cord with Appliance Outlet For low voltage, Straight

1250

Interconnection Cord with Appliance Outlet For low voltage, Angled

1253

[Interconnection Cord further types to 1203](#)