

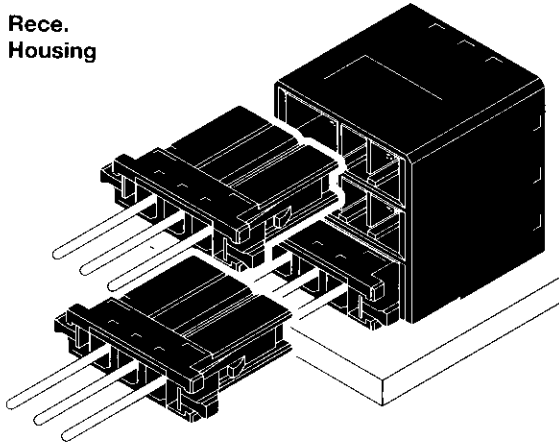
Wire to Board Connectors

Dynamic Series Connectors/D-3000 Series

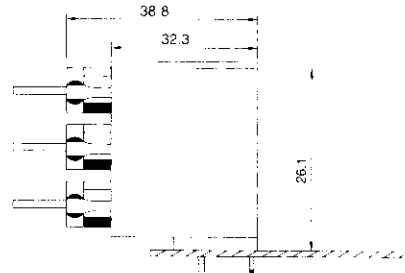
D-3200T—3Row Type

Appearance Board-mounting pitch : Horizontal Type 200×200mils (5.08×5.08mm)
 Dielectric Withstanding Voltage : 2.200V (for one minute) Voltage Rating : 600V AC (per connector)

Rece.
Housing



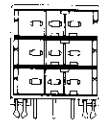
Mating
Dimensions



Horizontal Type

Keying

This product (D-3200T) is provided with keying into prevent mismatching of the connector halves. Keying is available in four types-XXX Type, XXY Type, YYX Type and YXX Type (Show below is the mating surface of Tab Header.)



XXX Type



XXY Type



YYX Type



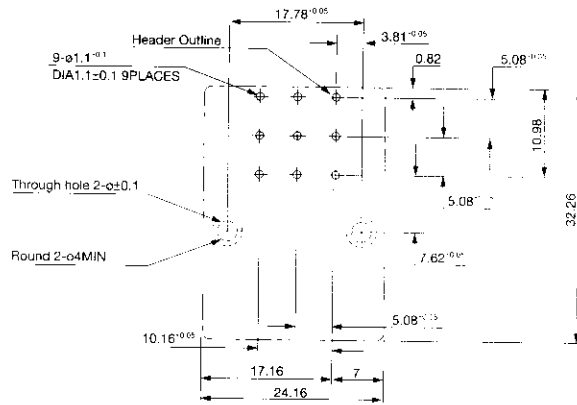
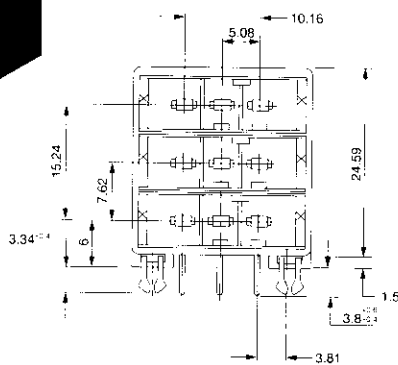
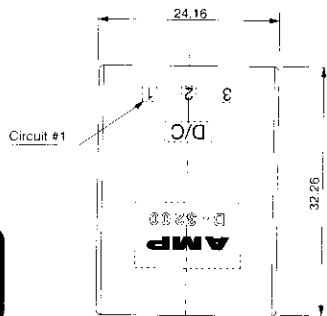
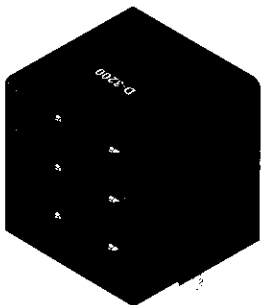
YXX Type

Part Number Chart

No. of Pos.	Keying	Board-mounting Tab Header	
		Horizontal Type	
9	XXX	1-1123624-	<input type="checkbox"/>
	XXY	3-1123624-	<input type="checkbox"/>
	YYX	4-1123624-	<input type="checkbox"/>
	YXX	5-1123624-	<input type="checkbox"/>

Note: Enter following plating codes in -□ after Part Numbers:
 -2 : 0.38μm thick gold plating
 -5 : Tin plating

Board-mount Tab Header (Horizontal Type)



PC Board Layout
 Applicable Board Thickness: 1.6±0.1