

## T1, T148C, & 2 M Bit/s PCM Line Repeater

### GENERAL DESCRIPTION

The XR-T5700/T5720 is a bipolar monolithic repeater IC that provides all the active circuits required for one side of a PCM repeater. The IC is designed for clock extraction by using a crystal filter.

The primary applications of XR-T5700 are T1 (1.544 M bit/s), T148C (2.37 M bit/s), and European 2 M bit/s PCM repeater.

A tank circuit clock extraction version of XR-T5700-T5720 is available as XR-T5600/T5620.

### FEATURES

- Crystal Clock Extraction
- Single 5.1 V Power Supply
- Less than 10 ns Sampling Pulse over the Operating Range
- Triple Matched ALBO Ports

### APPLICATIONS

- T1 PCM Repeater
- T148C PCM Repeater
- T1C PCM Repeater (requires external preamplifier)
- European 2 M Bit/s PCM Repeater

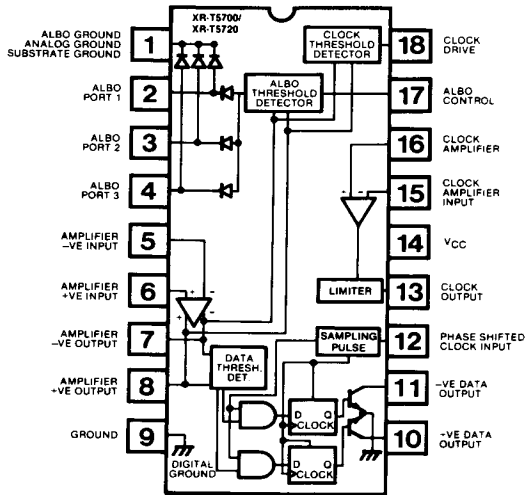
### ABSOLUTE MAXIMUM RATINGS

|   |                 |
|---|-----------------|
| Storage Temperature                           | -65°C to +150°C |
| Operating Temperature                         | -40°C to +85°C  |
| Supply Voltage                                | -0.5 to +10 V   |
| Supply Voltage Surge (10 ms)                  | +25 V           |
| Input Voltage(except Pins 2,3,4,17)           | -0.5 to 7 V     |
| Input Voltage (Pins 2,3,4,17)                 | -0.5 to +0.5 V  |
| Data Output Voltage (Pins 10, 11)             | 20 V            |
| Voltage Surge (Pins 5,6,10,11) (10 msec only) | 50 V            |

### ORDERING INFORMATION

| Part Number    | Package | Operating Temperature |
|----------------|---------|-----------------------|
| XR-T5700/T5720 | Ceramic | -40°C to +85°C        |

### FUNCTIONAL BLOCK DIAGRAM



### SYSTEM DESCRIPTION

The XR-T5700/T5720 performs most of the functions required for one side of a PCM repeater operating at 2 M bit/s or similar baud rate. The integrated circuit amplifies the received positive and negative pulses and feeds them into Automatic Line Build-out (ALBO), clock and data threshold detectors, see Figure 1. The ALBO threshold detector ensures that the received pulses at Pins 7 and 8 have the correct amplitude and shape. This is carried out by controlling the gain and frequency shaping of the ALBO network with three variable impedance ALBO ports.

The clock threshold detector extracts timing information from the pulses received at Pins 7 and 8 and passes it into open collector Pin 18. A crystal filter is connected from Pin 18 to clock amplifier input Pins 16 and 15. The sinusoidal-type waveform is amplified into a square wave at Pin 13, and forwarded through an external phase shift network into Pin 12. This waveform provides the data sampling pulse which opens latches into which the data from the data threshold detectors is passed. The resulting pulses are stored for half a bit period (normally 488 ns for 2 M bit/s) in the latches. They appear as half-width output pulses at Pins 10 and 11.

# XR-T5700

## ELECTRICAL CHARACTERISTICS

Test Conditions:  $T_A = 25^\circ\text{C}$ ,  $V_{CC} = 5.1\text{ V} \pm 5\%$ , unless specified otherwise (see Figure 1).

| PARAMETERS                             | PINS    | MIN.  | TYP. | MAX. | UNIT             | CONDITIONS  |
|--|---------|-------|------|------|------------------|---|
| Supply Current                         | 14      |       | 22   | 30   | mA               | $V_{\text{pull-up}} = 15\text{ V}$ , $V_{CC} = 5.35\text{ V}$ |
| Data Output Leakage Current            | 10,11   |       | 0    | 100  | $\mu\text{A}$    |   |
| ALBO Port Off Voltage                  | 2,3,4   |       | 0    | 0.1  | V                |   |
| Amplifier Pin Voltage                  | 5,6,7,8 | 2.4   | 2.9  | 3.4  | V                |   |
| DYNAMIC CHARACTERISTICS AMPLIFIER      |         |       |      |      |                  |   |
| Output Offset Voltage                  |         | -50   | 0    | 50   | mV               | $R_S = 8.2\text{ k}\Omega$                                    |
| AC Gain @ 1 MHz                        |         | 47    | 50   | 53   | dB               |   |
| Input Impedance                        |         | 20    |      |      | $\text{k}\Omega$ |   |
| Output Impedance                       |         |       |      | 200  | $\Omega$         |   |
| ALBO                                   |         |       |      |      |                  |   |
| ALBO Off Impedance                     |         | 20    |      | 25   | $\text{k}\Omega$ |   |
| ALBO On Impedance                      |         |       |      | 25   | $\Omega$         |   |
| THRESHOLDS                             |         |       |      |      |                  |   |
| ALBO Threshold                         |         | 1.4   | 1.5  | 1.6  | V                | At $V_O = V_{\text{ALBO Threshold}}$                          |
| Clock Threshold as % of ALBO Threshold |         | 68    |      | 80   | %                |   |
| DATA Threshold as % of ALBO Threshold  |         | 42    |      | 49   | %                |   |
| Clock Drive Current                    |         | 0.7   |      | 1.4  | mA               |   |
| OUTPUT STAGES                          |         |       |      |      |                  | $R_L = 130\Omega$ , $V_{\text{pull-up}} = 5.1 \pm 5\%$        |
| Output Pulse Rise Time                 |         |       |      | 40   | ns               |   |
| Output Pulse Fall Time                 |         |       |      | 40   | ns               |   |
| Output Pulse Width                     |         | 224   | 244  | 264  | ns               |   |
| Output Pulse Width Differential        |         | -10   |      | +10  | ns               |   |
| Buffer Gate Voltage (Low)              |         | 0.65  |      | 0.95 | V                |   |
| Buffer Gate Voltage Differential       |         | -0.15 |      | 0.15 | V                |   |

2

## ELECTRICAL CHARACTERISTICS

**Test Conditions:** Unless otherwise stated, all characteristics shall apply over the operating temperature range of -40°C to +85°C with  $V_{CC} = 5.1 \text{ V} \pm 5\%$ , all voltages referred to ground = 0 V.

| SYMBOL                                  | PARAMETERS                  | PINS    | MIN | TYP | MAX | UNIT          | CONDITIONS              |
|---|-----------------------------|---------|-----|-----|-----|---------------|-------------------------|
| GENERAL CHARACTERISTICS (Ref. Figure 2) |                             |         |     |     |     |               |                         |
| $I_S$<br>$I_{LD}$                       | Supply Current              | 14      |     | 22  | 30  | mA            | from $V_S$ (See Note 1) |
|   | Data Output Leakage Current | 10,11   |     |     | 100 | $\mu\text{A}$ |                         |
|   | Amplifier Pin Voltages      | 5,6,7,8 | 2.4 | 2.9 | 3.4 | V             |                         |
|   | ALBO Ports Off Voltage      | 2,3,4   |     | 0   | 0.1 | V             |                         |
|   |                             |         |     |     |     |               |                         |

Note 1:  $V_S = 15\text{V}$ ,  $V_{CC} = 5.35\text{V}$

| AMPLIFIER (Ref. Figure 2, Only Pins 1, 9, 10...18 Connected) |                              |       |     |   |     |               |  |
|--|------------------------------|-------|-----|---|-----|---------------|--|
|  | Input Offset Voltage         | 5 & 6 | -10 |   | +10 | mV            | $R_S = 8, 2 \text{ k}\Omega$<br>(See Note 1) |
|  | Input Bias Current           | 5 & 6 | 0   |   | 5   | $\mu\text{A}$ | $R_S = 8, 2 \text{ k}\Omega$<br>(See Note 1) |
|  | Input Offset Current         | 5 & 6 | -1  |   | 1   |               | $R_S = 8, 2 \text{ k}\Omega$<br>(See Note 1) |
|  | Output Offset Voltage        | 7 & 8 | -50 | 0 | -50 | mV            | $R_S = 8, 2 \text{ k}\Omega$<br>(See Note 1) |
|  | Common Mode Rejection Ratio  | 7 & 8 | 30  |   |     | dB            | $V_{cm} \pm 0, 3 \text{ V}$                  |
|  | Power Supply Rejection Ratio | 7 & 8 | 30  |   |     | dB            | $V_{cc} \pm 10$                              |
|  | Output Voltage Swing         | 7 & 8 | 2.2 |   |     | V             |  |

Note 1:  $R_S$  = Source Resistance

| CLOCK AMPLIFIER (Ref. Figure 2 Disconnect Pin 15 from Pin 16) |                                     |         |     |  |    |               |   |
|---|-------------------------------------|---------|-----|--|----|---------------|---|
|   | Input Offset Voltage                | 15 & 16 | 0.5 |  | 6  | mV            | $R_S = \text{k}\Omega$ (See Note 1)<br>$T = 25^\circ\text{C}$ |
|   | Input Bias Current                  | 15 & 16 |     |  | 10 | $\mu\text{A}$ |   |
|   | Max. Output Voltage                 | 13      | 0.7 |  |    | V             |   |
|   | Min. Output Voltage                 | 13      | 0.7 |  |    | V             |   |
|   | Max./Min. Output Voltage Difference | —       |     |  | 50 | mV            |   |

- Notes:
1.  $R_S$  = Source resistance, Pin 15 positive with respect to Pin 16.
  2. Pin 15 = Pin 16 = 3.6 V
  3. Pin 15 = 2.6 V, Pin 16 = 3.6 V
  4. Pin 15 = 4.6 V, Pin 16 = 3.6 V
  5. Calculation only

# XR-T5720

| SYMBOL               | PARAMETERS              | PINS | MIN | TYP | MAX | UNIT       | CONDITIONS             |
|----------------------|-------------------------|------|-----|-----|-----|------------|------------------------|
| ALBO (Ref. Figure 2) |                         |      |     |     |     |            |                        |
|                      | On Current              | 1    | 3   |     |     | mA         | $V_8-V_7 = \pm 1.75$ V |
|                      | Drive Current           | 17   | 0.4 |     | 1.4 | mA         | $V_8-V_7 = \pm 1.75$ V |
|                      | Resistance Pin 17 to GN |      | 35  | 50  | 70  | k $\Omega$ | Not Powered            |

## DYNAMIC CHARACTERISTICS

### AMPLIFIER (Ref. Figure 3)

|           |                  |        |    |    |     |            |              |
|-----------|------------------|--------|----|----|-----|------------|--------------|
| $A_o$     | AC Gain @ 1 MHz  | 5 to 8 | 47 | 50 | 53  |            |              |
| $Z_{in}$  | Input Impedance  | 5      | 20 |    |     | k $\Omega$ | (See Note 1) |
| $Z_{out}$ | Output Impedance | 7, 8   |    |    | 200 | $\Omega$   | (See Note 2) |

- Notes: 1. At 2 MHz, AC ground Pins 7 and 8, disconnect 51  $\Omega$  resistor. Allow for in-circuit R, C.  
2. At 1 MHz, use Figure 2.

### CLOCK AMPLIFIER (Ref. Figure 3)

|       |                  |              |    |  |     |          |              |
|-------|------------------|--------------|----|--|-----|----------|--------------|
| $A_o$ | AC Gain          | 15, 16 to 13 | 32 |  |     | dB       | (See Note 1) |
| BW    | -3 dB Bandwidth  | 15, 16 to 13 | 10 |  |     | MHz      | (See Note 2) |
|       | Delay            | 15, 16 to 13 | 8  |  | 12  | ns       | (See Note 3) |
|       | Output Impedance | 13           |    |  | 200 | $\Omega$ | (See Note 4) |

- Notes: 1. Remove dc offset, at 2,048 MHz, Pin 13 = 1 V pk-pk sine wave  
2. Remove dc offset, Pin 13 = 1 V pk-pk sine wave  
3. Remove dc offset, Pin 15 = 2 V pk-pk sine wave. Delay from Pin 15 negative-going zero crossover to Pin 13 positive edge.  
4. Remove dc offset, at 2,048 MHz

### ALBO (Ref. Figure 2)

|  |                        |          |    |  |      |            |              |
|--|------------------------|----------|----|--|------|------------|--------------|
|  | Off Impedance          | 2,3,4    | 20 |  |      | k $\Omega$ | (See Note 1) |
|  | Intermediate Impedance |          |    |  |      |            |              |
|  | Difference             | 2,3,4,   |    |  | 5    |            | (See Note 2) |
|  | On Impedance           | 2,3,4    |    |  | 25   | M          | (See Note 3) |
|  | Transconductance       | 7,8 to 1 |    |  | 0.03 | dB         | (See Note 4) |

- Notes: 1. At 1 MHz, allow for in-circuit R,C  
2. At 1 MHz,  $V_8-V_7$  adjusted for current at Pin 1 = 100  $\mu$ A  
3. At 1 MHz,  $V_8-V_7$  adjusted for  $\pm 1.75$  V  
4. At 1 MHz, change in  $V_8-V_7$  for current at Pin 1 = 10  $\mu$ A to 100  $\mu$ A

| SYMBOL                             | PARAMETERS                           | PINS | MIN  | TYP | MAX | UNIT | CONDITIONS               |
|------------------------------------|--------------------------------------|------|------|-----|-----|------|--------------------------|
| THRESHOLD VOLTAGES (Ref. Figure 3) |                                      |      |      |     |     |      |                          |
|                                    | ALBO Threshold +ve                   | 8-7  | 1.4  | 1.5 | 1.6 | V    | (See Notes 1 & 2)        |
|                                    | ALBO Threshold -ve                   | 7-8  | 1.4  | 1.5 | 1.6 | V    | (See Notes 1 & 2)        |
|                                    | ALBO Threshold Difference            | —    | -5   | 0   | 5   |      | (See Note 3)             |
|                                    | Clock Drive on Current<br>(Peak) +ve | 18   | 0.65 | 1.0 | 1.4 | mA   | (See Note 4)             |
|                                    | Clock Drive on Current<br>(Peak) -ve | 18   | 0.65 | 1.0 | 1.3 | mA   | (See Note 5)             |
|                                    | Clock Drive on Current<br>Difference | —    | -5   | 0   | 5   |      | (See Note 3)             |
|                                    | Clock Threshold +ve                  | 8-7  | 68   |     | 80  |      | (See Notes 1, 6, 8)      |
|                                    | Clock Threshold -ve                  | 7-8  | 68   |     | 80  | %    | (See Notes 1, 7, 8)      |
|                                    | Clock Threshold Difference           | —    | -5   | 0   | 5   | %    | (See Note 3)             |
|                                    | Data Threshold +ve                   | 8-7  | 44   | 46  | 48  | %    | (See Notes 1, 8, 9, 11)  |
|                                    | Data Threshold -ve                   | 7-8  | 44   | 46  | 48  | %    | (See Notes 1, 8, 10, 11) |
|                                    | Data Threshold Difference            | —    | -3   | 0   | 3   | %    | (See Note 3)             |

- Notes: 1. Pk/pk voltage at Pins 7 and 8 of a 1 MHz sine wave derived through amplifier and measured differentially  
 2. Pk/pk voltage at Pins 7 and 8 adjusted for current at Pin 1 = 3 mA  
 3. Calculation only

$$\text{percentage difference calculated from } \left( \frac{\text{higher value}}{\text{lower value}} - 1 \right) \times 100 \%$$

4. V<sub>8</sub>-V<sub>7</sub> adjusted to ALBO threshold +ve voltage (ref. Pin 16 = 3.6 V)  
 5. V<sub>7</sub>-V<sub>8</sub> adjusted to ALBO threshold -ve voltage (ref. Pin 16 = 3.6 V)  
 6. V<sub>8</sub>-V<sub>7</sub> adjusted to peak current at Pin 18 = ½ (clock drive on current peak +ve)  
 7. V<sub>7</sub>-V<sub>8</sub> adjusted to peak current at Pin 18 = ½ (clock drive on current peak -ve)  
 8. Figure taken as a percentage of lower ALBO threshold  
 9. V<sub>8</sub>-V<sub>7</sub> increased until 1 MHz PRF on counter at Pin 10  
 10. V<sub>7</sub>-V<sub>8</sub> increased until 1 MHz PRF on counter at Pin 11  
 11. With 2,048 MHz 2 V pk-pk sine wave to Pin 15 with 180 μH in parallel with 36 Ω to Pin 16 = 3.6 V

| OUTPUT STAGES (Ref. Figure 3. Use 180 μH inductor between Pins 15 and 16. Apply 2.048 MHz 2V pk/pk to Pin 15.) |                                   |    |       |     |      |    |           |
|--|-----------------------------------|----|-------|-----|------|----|-----------|
| t <sub>r</sub>   | Output Pulse Rise<br>Time +ve     | 10 |       |     | 40   | ns | 10% - 90% |
| t <sub>r</sub>   | Output Pulse Rise<br>Time -ve     | 11 |       |     | 40   | ns | 10% - 90% |
| t <sub>f</sub>   | Output Pulse Fall<br>Time +ve     | 10 |       |     | 40   | ns | 10% - 90% |
| t <sub>f</sub>   | Output Pulse Fall<br>Time -ve     | 11 |       |     | 40   | ns | 10% - 90% |
| t <sub>w</sub>   | Output Pulse Width +ve            | 10 | 244   | 244 | 264  | ns | at 50%    |
| t <sub>w</sub>   | Output Pulse Width -ve            | 11 | 244   | 244 | 264  | ns | at 50%    |
| Y <sub>t<sub>w</sub></sub>   | Output Pulse Width Difference     | —  | -10   |     | 10   | ns |           |
| VOL  | Buffer Gate Voltage<br>(low) +ve  | 10 | 0.65  |     | 0.95 | V  |           |
| VOL  | Buffer Gate Voltage<br>(low) -ve  | 11 | 0.65  |     | 0.95 | V  |           |
| bVOL   | Buffer Gate Voltage<br>Difference | —  | -0.15 |     | 0.15 | V  |           |

Note: 1. Calculation only

# XR-T5720

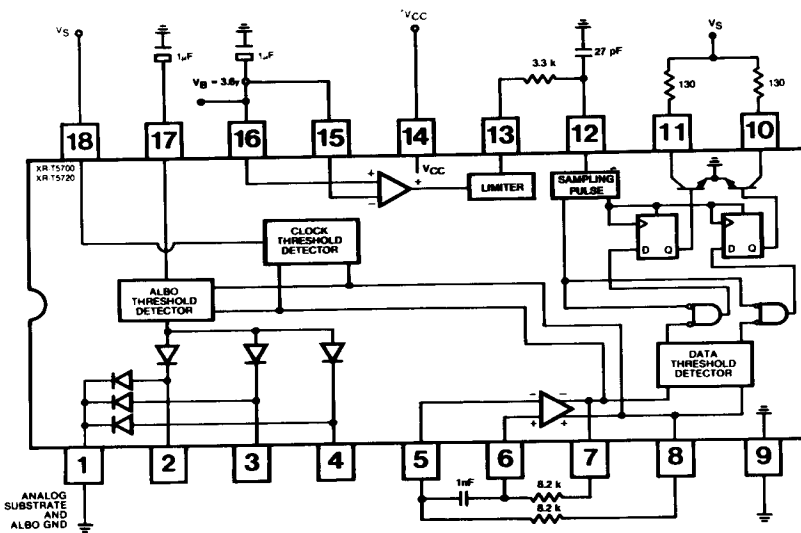


Figure 2. DC Parameter Test Circuit

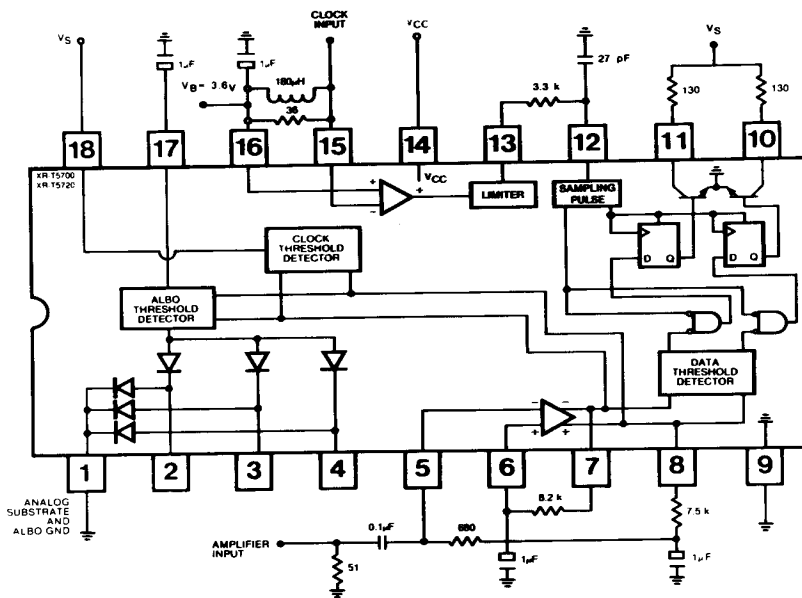


Figure 3. AC Parameter Test Circuit

| SYMBOL  | PARAMETERS             | PINS  | MIN               | TYP   | MAX               | UNIT | CONDITIONS        |
|---|------------------------|-------|-------------------|-------|-------------------|------|-------------------|
| SAMPLE PULSE WIDTH (Ref. Figure 4. $C_y = 27 \text{ pF}$ )  |                        |       |                   |       |                   |      |                   |
|   | Sample Pulse Width     | —     |                   | 10    | 20                | ns   | (See Notes 1...5) |
| Notes: 1. The sample pulse width is the period during which the output latches are opened to accept a signal above the data threshold at Pin 7 or 8 and cause a half-width output pulse at Pin 11 or 10 respectively.<br>2. Sample pulse width is specified with a 2,048 MHz TTL waveform at clock input (Pin 15) and a 2,400 MHz Schottky TL waveform at amplifier input in the circuit of Figure 5. Figure 7 shows the relevant IC waveforms.<br>3. Monitor the frequency of coincident output pulses at Pins 10 and 11 either directly or through output circuit to frequency counter.<br>4. Sample pulse width = $Xns + (0,1 \times \text{measured frequency in kHz ns where } x \text{ is the mean rise/fall times of the waveform at Pin 8 between 25\% and 75\%}$ .<br>5. X to be within the range $10 \text{ ns} < X < 12 \text{ ns}$ . This requires HF layout techniques with the amplifier operated closed loop. |                        |       |                   |       |                   |      |                   |
| SAMPLE PULSE GENERATOR INPUT WAVEFORM (Pin 12 Ref. Figure 4, $C_y = 40 \text{ pF}$ )  |                        |       |                   |       |                   |      |                   |
|   | Output Pulse Frequency | 10,11 | 1,024<br>-100 ppm | 1,024 | 1,024<br>+100 ppm | MHz  | (See Note 1)      |

Note: 1. Width 2,048 MHz  $\pm$  100 ppm TTL waveform at clock input with half of above waveform frequency at amplifier input.

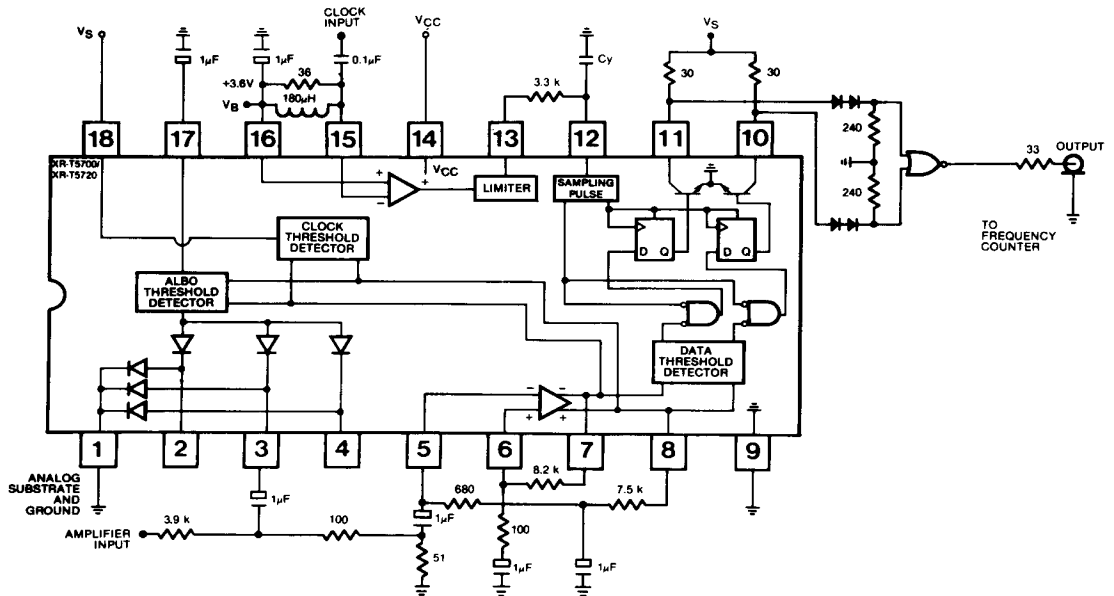


Figure 4. Sampling Pulse Test Circuit

# XR-T5720

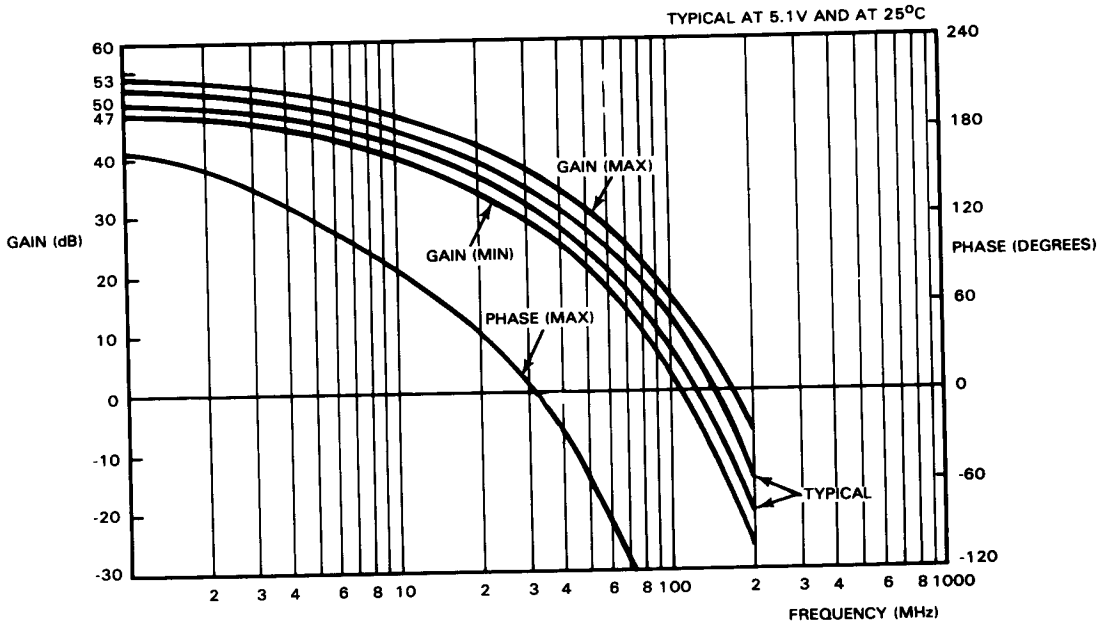
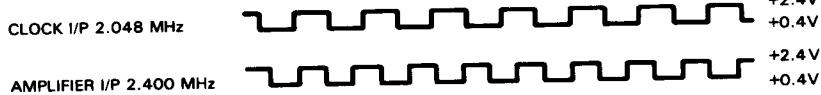
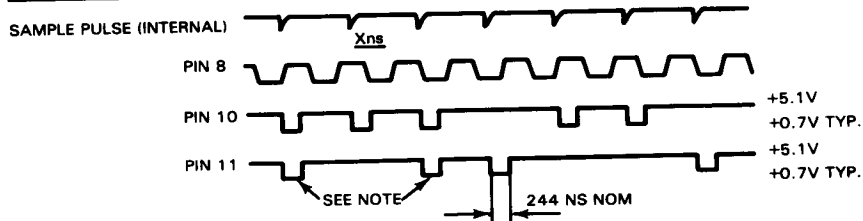


Figure 5. Typical and Limiting Values of Gain and Phase

**INPUT WAVEFORMS**



**IC WAVEFORMS**

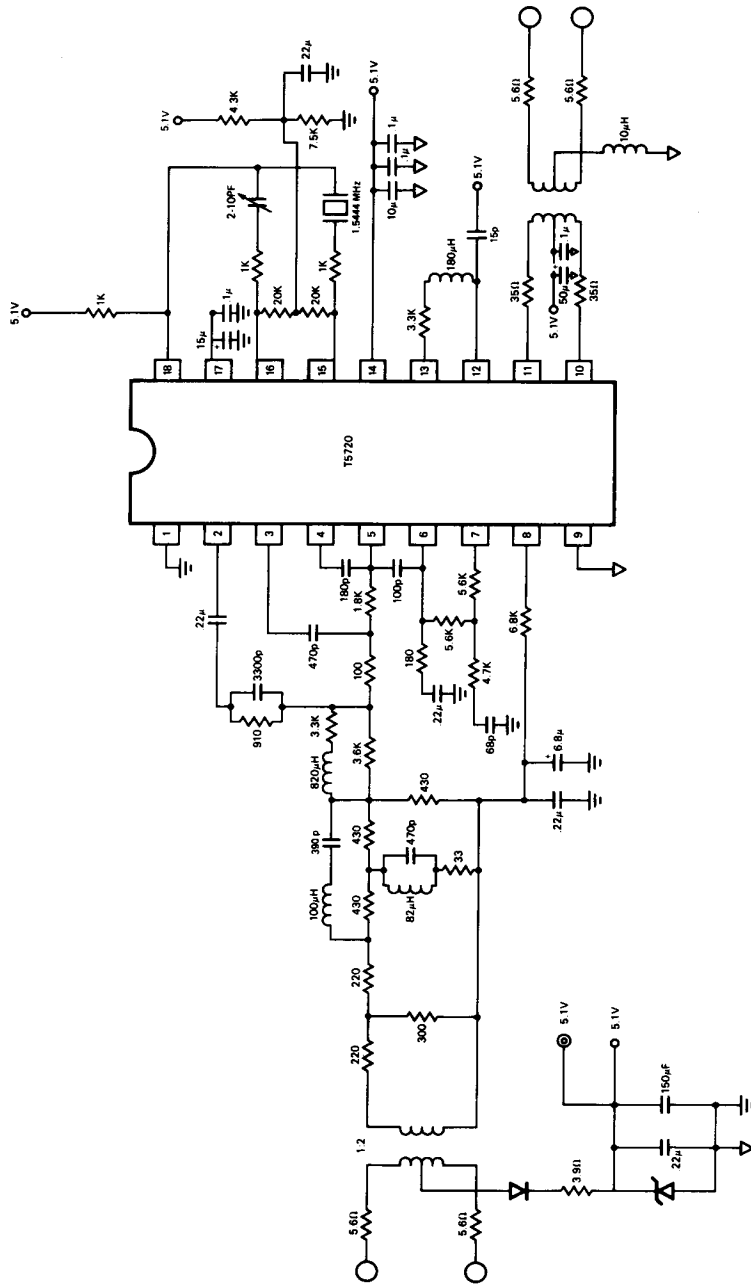


**NOTE**

COINCIDENT OUTPUT PULSES

Figure 6. IC Waveforms for Measuring Sampling Pulse Width





15720 1.544 MBITS/S HIGH O PCM REPEATER APPLICATION CIRCUIT