

THIS DRAWING IS UNPUBLISHED.

RELEASED FOR PUBLICATION

.19

© COPYRIGHT 19

BY AMP INCORPORATED. ALL RIGHTS RESERVED.

LOC

DIST

DY

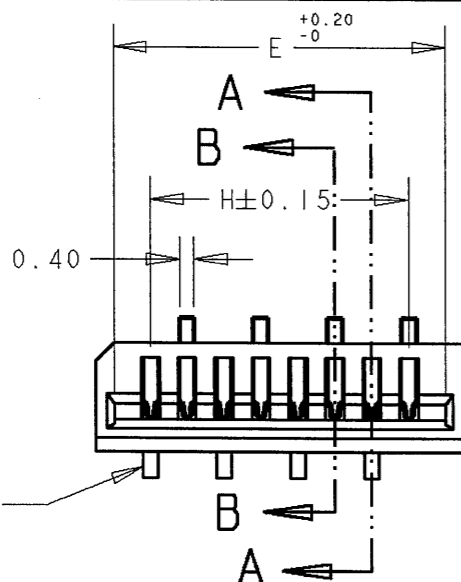
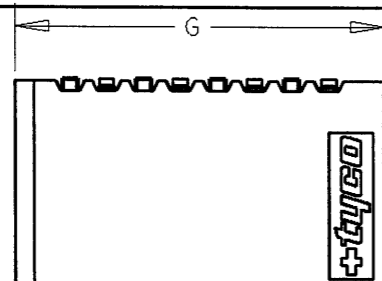
-

REVISIONS

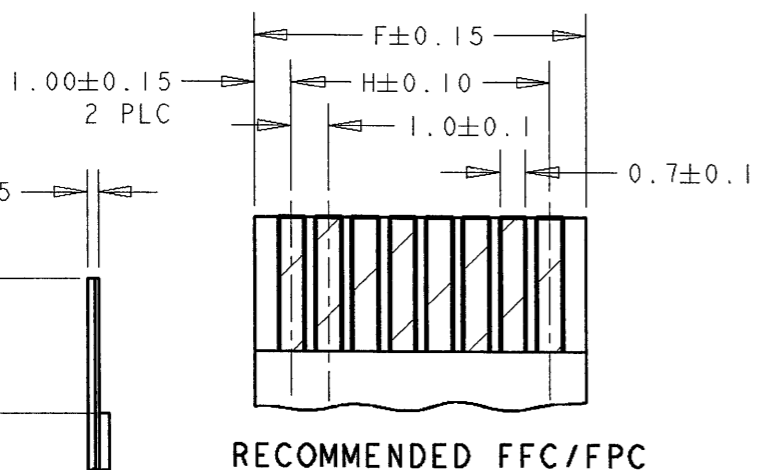
P	LTR	DESCRIPTION	DATE	DWN	APVD
F1		REVISED PER ECO-10-000444	08JAN10	KK	AEG

NOTES:

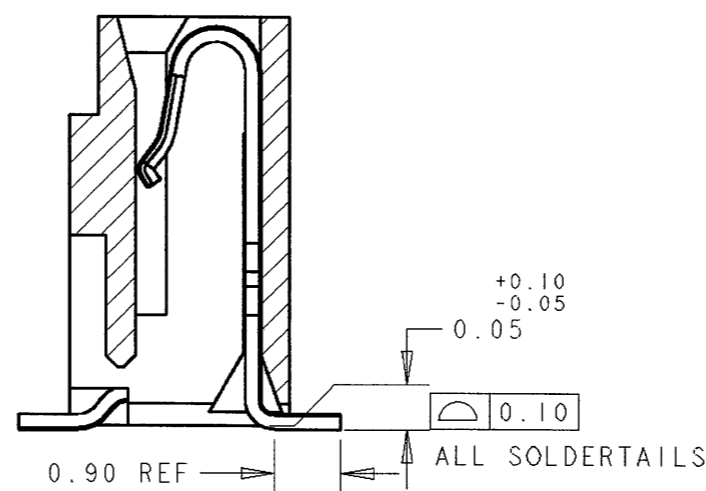
- 1 MATERIAL:
HOUSING: GLASS FILLED HIGH TEMP NYLON, NATURAL COLOR (BEIGE)
CONTACT: PHOSPHOR BRONZE
- 2 FINISH: MATTE TIN OVER NICKEL UNDERPLATE
- 3. PACKAGING: TAPE & REEL (PACKAGING SPEC: 107-51189)
- 4 OBSOLETE PARTS: OBSOLETE CIS STREAMLINING PER D.RENAUD/D.SINISI



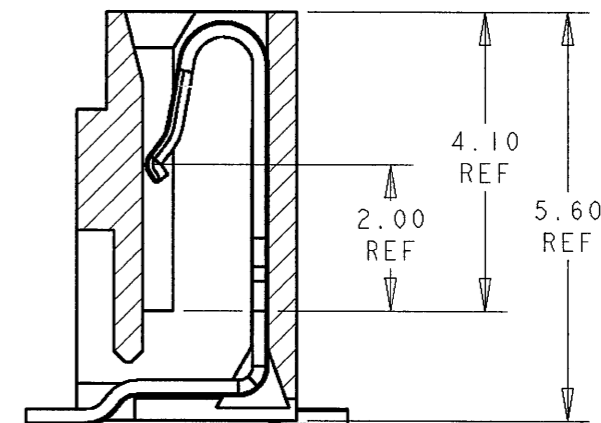
POS. #1



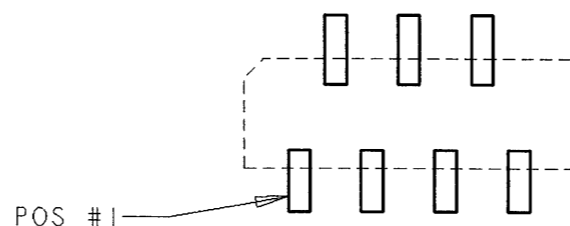
RECOMMENDED FFC/FPC



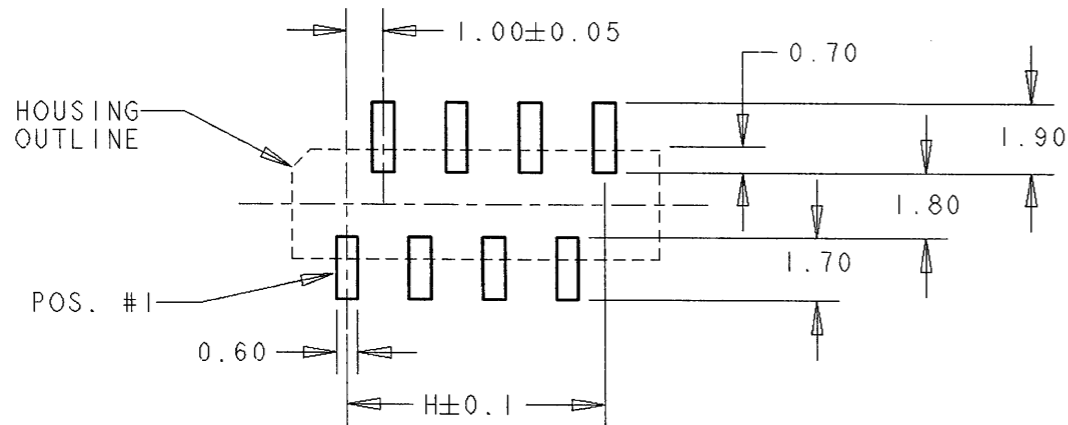
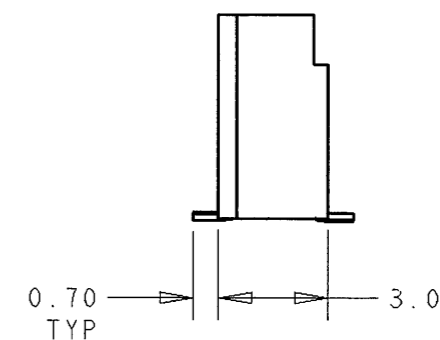
SECTION B-B
(FOR ODD POSITION CONTACTS)
SCALE 10:1



SECTION A-A
(FOR EVEN POSITION CONTACTS)
SCALE 10:1



RECOMMENDED PCB LAYOUT
(FOR ODD POSITION CONNECTORS)



RECOMMENDED PCB LAYOUT
(NON-ACCUMULATIVE TOLERANCE)
(FOR EVEN POSITION CONNECTORS)

THIS DRAWING IS A CONTROLLED DOCUMENT FOR AMP INCORPORATED. IT IS SUBJECT TO CHANGE AND THE CONTROLLING ENGINEERING ORGANIZATION SHOULD BE CONTACTED FOR THE LATEST REVISION.		DWN	19MAY2006	tyco Electronics	Tyco Electronics Singapore Pte. Ltd.	
DIMENSIONS: mm		CHK	19MAY2006		NAME ASSY, 1.00mm FFC CONN SMT, V, (NON-ZIF)	
TOLERANCES UNLESS OTHERWISE SPECIFIED: 0 PLC ±0.3 1 PLC ±0.3 2 PLC ±0.3 3 PLC ± 4 PLC ± ANGLES ±3°		APVD	19MAY2006	PRODUCT SPEC 108-51054		
MATERIAL		APPLICATION SPEC		SIZE	CAGE CODE	DRAWING NO
FINISH		WEIGHT		A3	00779	C-84982
1		CUSTOMER DRAWING		SCALE 5:1		SHEET 1 OF 2
2						REV F1

4

3

2

1

THIS DRAWING IS UNPUBLISHED. RELEASED FOR PUBLICATION .19

© COPYRIGHT 19 BY AMP INCORPORATED. ALL RIGHTS RESERVED.

LOC	DIST	REVISIONS			
P	LTR	DESCRIPTION	DATE	DWN	APVD
		SEE SHEET 1			

		39.00	42.00	41.00	41.00	40	4-84982-0
		38.00	41.00	40.00	40.00	39	3- -9
		37.00	40.00	39.00	39.00	38	3- -8
		36.00	39.00	38.00	38.00	37	3- -7
		35.00	38.00	37.00	37.00	36	3- -6
		34.00	37.00	36.00	36.00	35	3- -5
		33.00	36.00	35.00	35.00	34	3- -4
		32.00	35.00	34.00	34.00	33	3- -2
		31.00	34.00	33.00	33.00	32	3- -2
		30.00	33.00	32.00	32.00	31	3- -1
		ACTIVE	29.00	32.00	31.00	30	3-84982-0
△		OBSOLETE	28.00	31.00	30.00	29	2- -9
		ACTIVE	27.00	30.00	29.00	28	2- -8
△		OBSOLETE	26.00	29.00	28.00	27	2- -7
		ACTIVE	25.00	28.00	27.00	26	2- -6
		OBSOLETE	24.00	27.00	26.00	25	2- -5
	△		23.00	26.00	25.00	24	2- -4
		ACTIVE	22.00	25.00	24.00	23	2- -3
		ACTIVE	21.00	24.00	23.00	22	2- -2
		ACTIVE	20.00	23.00	22.00	21	2- -1
		ACTIVE	19.00	22.00	21.00	20	2-84982-0
△		OBSOLETE	18.00	21.00	20.00	19	1- -9
		ACTIVE	17.00	20.00	19.00	18	1- -8
△		OBSOLETE	16.00	19.00	18.00	17	1- -7
		ACTIVE	15.00	18.00	17.00	16	1- -6
		ACTIVE	14.00	17.00	16.00	15	1- -5
		OBSOLETE	13.00	16.00	15.00	14	1- -4
	△		12.00	15.00	14.00	13	1- -3
		ACTIVE	11.00	14.00	13.00	12	1- -2
		ACTIVE	10.00	13.00	12.00	11	1- -1
		ACTIVE	9.00	12.00	11.00	10	1-84982-0
		ACTIVE	8.00	11.00	10.00	9	-9
		ACTIVE	7.00	10.00	9.00	8	-8
		ACTIVE	6.00	9.00	8.00	7	-7
△		OBSOLETE	5.00	8.00	7.00	6	-6
		ACTIVE	4.00	7.00	6.00	5	-5
		ACTIVE	3.00	6.00	5.00	4	84982-4
		STATUS	H	G	F	E	POS. PART NO.

THIS DRAWING IS A CONTROLLED DOCUMENT FOR AMP INCORPORATED. IT IS SUBJECT TO CHANGE AND THE CONTROLLING ENGINEERING ORGANIZATION SHOULD BE CONTACTED FOR THE LATEST REVISION.		DWN	10JUN04		tyco Tyco Electronics	
DIMENSIONS: mm		CHK	YWLEE		Electronics Singapore Pte. Ltd.	
TOLERANCES UNLESS OTHERWISE SPECIFIED:		APVD	-		NAME	
0 PLC ±0.3		PRODUCT SPEC	-		ASSY, 1.00mm FFC CONN	
1 PLC ±0.3		APPLICATION SPEC	-		SMT, V, (NON-ZIF)	
2 PLC ±0.3		WEIGHT	-		SIZE	CAGE CODE
3 PLC ±-		CUSTOMER DRAWING	A3		00779	DRAWING NO
4 PLC ±-			C=84982		SCALE 5:1 SHEET 2 OF 2 REV F1	
ANGLES ±3°						
MATERIAL	FINISH					
△ 1	△ 2					