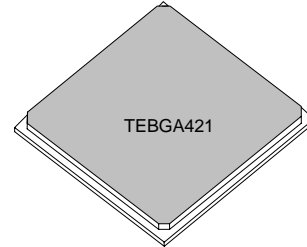


www.data **OVERVIEW**

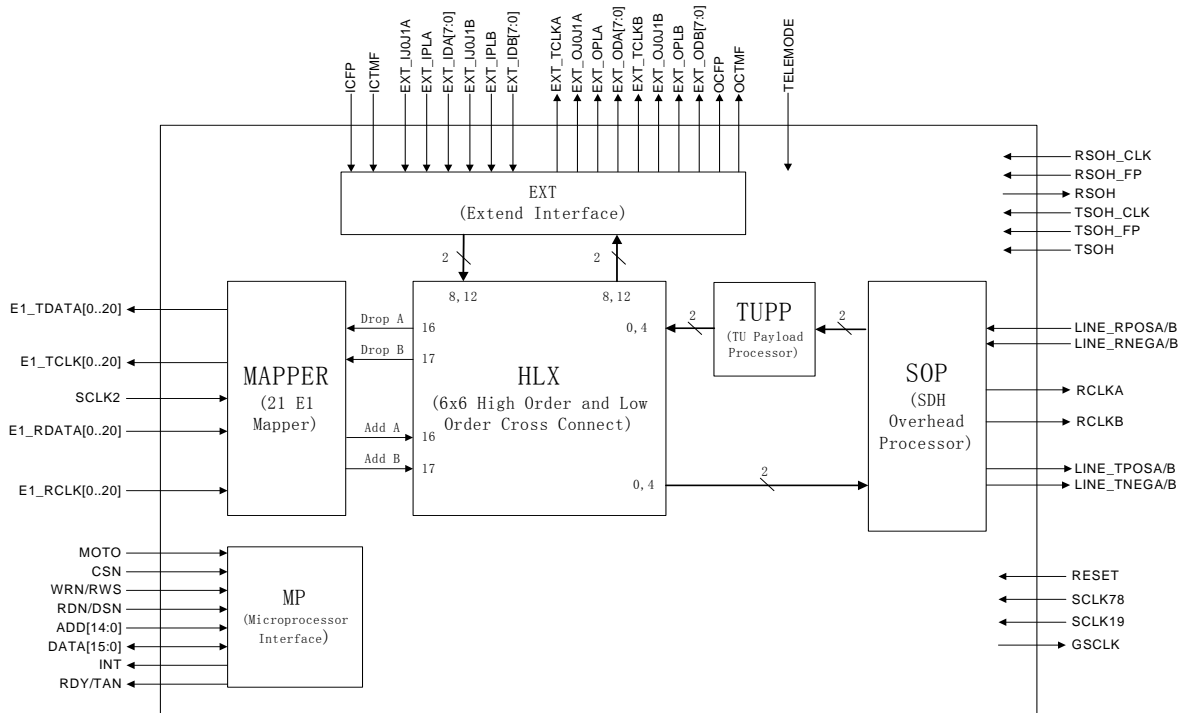
The CP1122 is one of the OPTRANS series chips designed by Chiphomer Technology Limited. It is extended to provide a flexible, low cost System-on-chip (SOC) solution for fast growing metropolitan transmission market, especially in Multi-service Transport Platform (MSTP) and Customer Premises Equipment (CPE) applications. It integrates one SDH overhead processor for dual STM-1, one extension interface for dual STM-1, a tributary unit payload processor for 2 STM-1, E1 mapper for asynchronous mapping and demapping of 21 E1 ports, a 6 X 6 high and low order cross connector.



TEBGA421
-40 ~ 85°C

FEATURES

- Dual SDH STM-1 serial LVPCEL interfaces
- Integrated two-channel CDR macros to interface directly with an optical module
- Fully compliant with ITU-T specifications for Jitter Tolerance, Transfer and Generation
- Regenerator and multiplexer section termination
- High order processing for AU-4 pointer interpretation/generation and POH termination
- Full access to SOH through a serial interface.
- Integrated MSP processing to support 1+1, 1:n protection
- Byte-wide 19.44MHz Extension Telecom Bus
- Aligns SDH tributary TU3/TU12 for every TUG3 within 8 STM-1 or bypass



STM-1 Single Chip Add/Drop Multiplexer System device

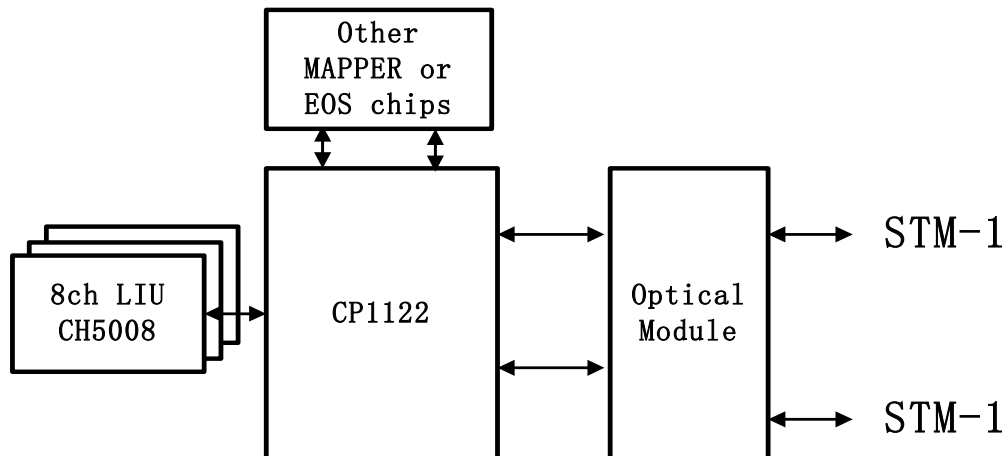
CP1122_PB_Rev1.0
March, 2005

- Integrated 21 channels E1 mapper for asynchronous mapping and de-mapping to/from a STM-1 with re-timing support on eight channels.
- The output jitter of 2M data (either mapping jitter or combined jitter) is compliant with G.783 (2000/10)
- Supports 1+1 low order path protection.
- Build-in PRBS test function
- 6x6 non-blocking switching for high and low order cross connection
- 1.8V/3.3V supply, 3.3V CMOS and LVPECL I/O
- IEEE 1149.1 boundary scan
- Operating industrial temperature range: -40°C ~ 85°C
- Maximum power consumption less than 3.6 W
- TEBGA421 package

APPLICATIONS

- SDH Add/Drop Multiplexers
- SDH Terminal Multiplexers
- Multi-service Transport Platform (MSTP)
- Customer Premises Equipment (CPE)

TYPICAL APPLICATION



RELATED PRODUCTS

- CH5008: 8ch E1 LIU
- CP5009: 8ch E1/T1/J1 LIU
- CP1181: 21ch E1/T1 Mapper
- CP1121A: STM-1/4 Single Chip Add/Drop Multiplexer System device