

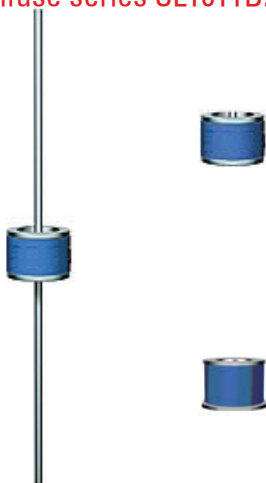
GAS DISCHARGE TUBE



8x6mm

No. A930/A931/A932

This product is not recommended for new designs. Please refer to Littelfuse series SL1011B.



RoHS



2-electrode (10kA/10A)

Medium Discharge Current Series Features

Non-radioactive
Lead Free
A930 can be used in holder No. 706

Applications

Telecommunication
Data Transmission
Trigger Circuits
Power Line Modules

Standard

UL-497B
complies to ITU-T K.12 (formerly CCITT)
complies to DIN 57845/VDE 0845

Approvals

UL-recognized

WebLinks

Further info see:
http://www.wickmanngroup.com/download/orderinfo_surgearr.pdf
http://www.wickmanngroup.com/download/crossref_surgearr.pdf

Specifications

Packaging

A930: 00=Bulk (1.000 pcs.)
A931: 01=Reel (500 pcs.)
A932: 02=Blister Tape (600 pcs.)

Materials

Housing: Ceramic
Gas: non-radioactive
Leads: tin plated

Arc Voltage @ 1A

~ 15V

Transition Glow to Arc @

~ 0.8A

Operating temperature

-40°C to +90°C

Climatic Category

complies to IEC 60068-1
+40°C, 21 days, <93% humidity

Soldering characteristics

complies to IEC 60068-2-20 (A931)

Soldering Heat Resistance

complies to IEC 60068-2-58

Marking

Ⓜ, Type, Nom. Voltage, Date

Unit Weight

ca. 1.5g

Characteristics

Type/ Order Code	DC sparkover voltage	Tolerance	Impulse sparkover voltage (1kV/μs) typ.	Glow Voltage	Insulation Resistance (@100 Vdc or @50Vdc for 90V)	Capacitance (@1MHZ)	8/20μs Nominal Impulse Discharge Current (10 times)	8/20μs Single Impulse Discharge Current (1 time)	AC Nominal Discharge Current (50Hz; 1s; (10 times)	AC Alternating Discharge Current (50Hz; (9 cycles)	Approval UL-rec.
A930 S0 0090 01 00 A931 S0 0090 01 01 A932 S0 0090 01 02	90V	+/- 20%	<550V	~ 60V	> 10GΩ	< 1.5 pF	10kA	12kA	10A	65A	•
A930 S0 0230 01 00 A931 S0 0230 01 01 A932 S0 0230 01 02	230V	+/- 20%	<600V	~ 60V	> 10GΩ	< 1.5 pF	10kA	12kA	10A	65A	•
A930 S0 0350 01 00 A931 S0 0350 01 01 A932 S0 0350 01 02	350V	+/- 20%	<800V	~ 60V	> 10GΩ	< 1.5 pF	10kA	12kA	10A	65A	•
A930 S0 0600 04 00 A931 S0 0600 04 01	600V	-10/+20%	<1.100V	~ 60V	> 10GΩ	< 1.5 pF	10kA	12kA	10A	65A	•

other values on request

Specifications are subject to change without notice.

Order
Example

Qty.	Order- Number	Type	Failsafe Option	Sparkover Volt.	Tolerance	Packaging
		A930	S0	0090	01	00

WebSite

www.wickmanngroup.com E-mail: sales@wickmann.com

Europe Tel: +49 2302 662-107

Americas Tel: +1 404 699-7820

E-mail: service@wickmannusa.com

Asia Tel: +852 26 14-1108

E-mail: sales@wickmann.com.hk

China Tel: +86 21 6432 5146

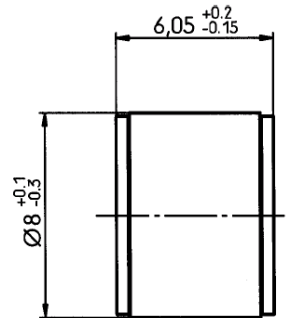
E-mail: sales@wickmann.com

www.DataSheet4U.com

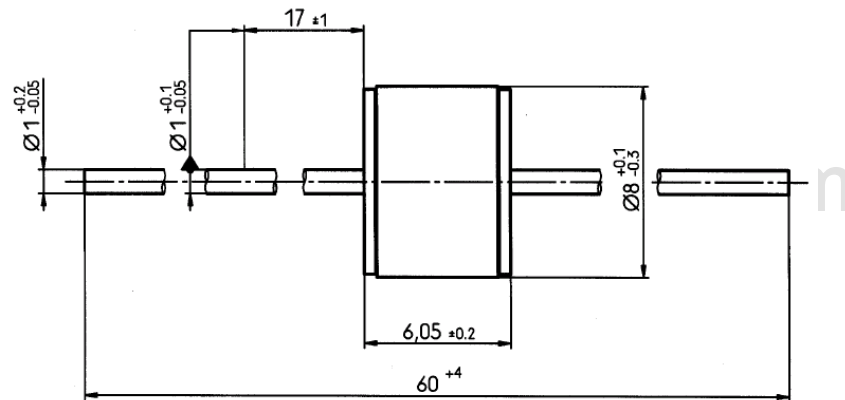
050915

Dimensions (mm) A930/A931/A932

A930



A931



A932

