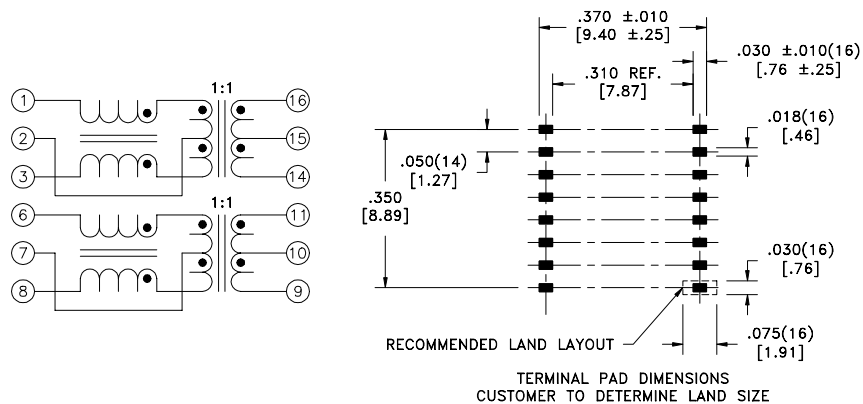
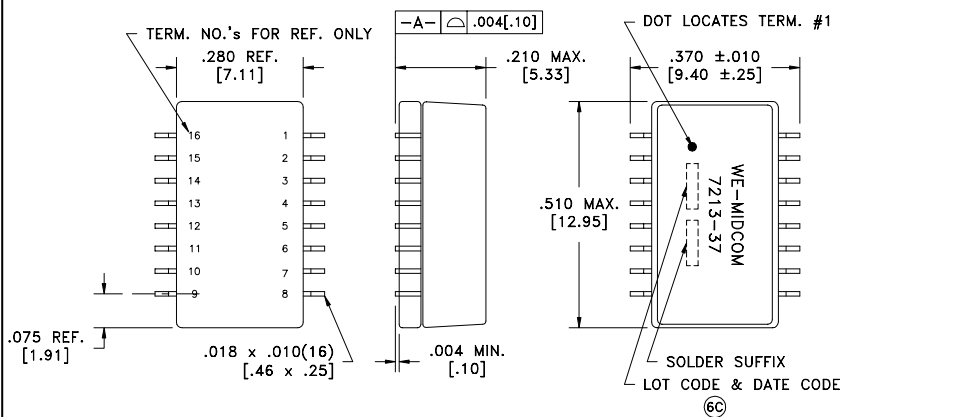


CUSTOMER TERMINAL	RoHS	LEAD(Pb)-FREE	6C
Sn96%, Ag4%	Yes	No	



ELECTRICAL SPECIFICATIONS @ 25°C unless otherwise noted:

- INSERTION LOSS: -1.1dB max., 500k - 100MHz.
- DIELECTRIC RATING: 1500Vrms, 1 minute tested by applying 1800Vrms for 1 second between 1-16(tie 1+6, 16+11).
- INDUCTANCE: 350uH min., 100kHz, 100mVAC, 8mADC, 16-14; 11-9, Lp.
- RETURN LOSS: -18dB min., 500k - 30MHz.
-16dB min., 30M - 45MHz.
-14dB min., 45M - 60MHz.
-12dB min., 60M - 80MHz.
- URNS RATIO & POLARITY: (1-3):(16-14) = 1:1, ±2%.
(6-8):(11-9) = 1:1, ±2%.
- CROSSTALK: -35dB min., 1M - 100MHz.
- DCMR: -30dB min., 500k - 100MHz.
- CMRR: -30dB min., 500k - 100MHz.
- OPERATING TEMPERATURE RANGE: 0°C to +70°C.
- COPLANARITY: All 16 terminals must lie on a plane within 004 [10] of Surface A after lead tinning.

www.DataSheet4U.com

REV	DATE
6	9/07
6	10/05
6	7/05
6	8/04
6	6/04

Packaging Specifications
Method: Tape & Reel
PKG: 0558
www.midcom-inc.com

Unless otherwise specified:
Tolerances: Fractions: ±1/64
Angles: ±1° Decimals: ±.005[.127]
This drawing is dual dimensioned. Dimensions in brackets are in millimeters.

DRAWING TITLE
TRANSFORMER
PDSO-G16
eiSos p/n:



DRAWING NO.
000-7213-37R-LF1

REVISIONS: SEE SHEET 1

SCALE ---

SHEET 2 OF 8