

Data Slicer for Teletext

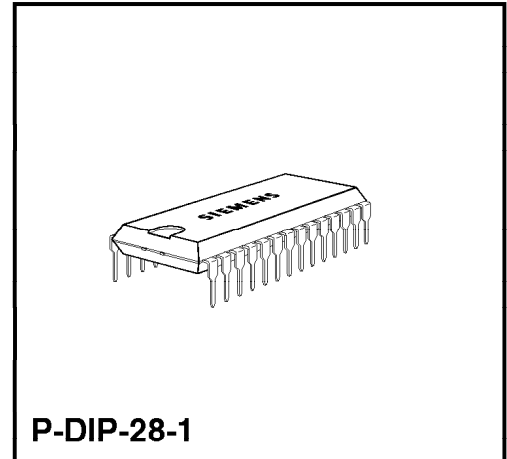
SDA 5231-5

Preliminary Data

Bipolar IC

Features

- Crystal-stable data clock regeneration for a bit rate of 6.9375 MHz
- Separation and regeneration of teletext information
- Separation of the horizontal and vertical synchronization signals
- Phase-locked coupling of 6-MHz oscillator with comp. video
- Optional adjustment to 1 V or 2.5 V comp. video level
- Processing of externally separated teletext data
- Output of negative and positive synchronous signals to television set



Type	Ordering Code	Package
SDA 5231-5	Q 67000-A5162	P-DIP-28-1

The SDA 5231-5 has been designed to separate teletext signals from TV signals for a microcontroller-operated I²C bus concept. The video processor meets the requirements for teletext data clock regeneration and synchronization of the TV set during teletext operation. At the same time, the video signals (CVBS) provided by the television set are evaluated for the teletext decoder.

Functional Description

The SDA 5231-5 is used in an I²C bus controlled teletext system. Its function is the processing of the teletext informations, the system clock generation and the switching of HV synchronization signals.

The SDA 5231-5 can also be used to process the data line 16 (VPS).

a) Signal Processing

The analog signal is processed at the amplitude filter (clamping of the video input signal and separation of the sync. impulse) and by means of the data slicing level. The data slicer compensates the attenuation of the data signal due to mistuning and a non linear frequency response the IF-amplifier.

As in case of sync. impulse separation, an adaptive circuit is used for separating the data, i.e. the clipping level is always in the middle of the sync. impulse and/or the data signal, independent of the signal amplitude.

Both the clipping level and the control voltage for the AGC (Automatic Gain Control) are generated while bit synchronization takes place at the beginning of the teletext line and are stored until the teletext line has been fully scanned.

b) Synchronization of Data Clock

Clock synchronization is obtained by means of a phase detector + a phaseshifter.

A control voltage proportional to the phase difference between the free running oscillator and the incoming data bits is generated by the phase detector. A small time constant is used during bit synchronization, for the rest of the time a 10 times larger constant is used.

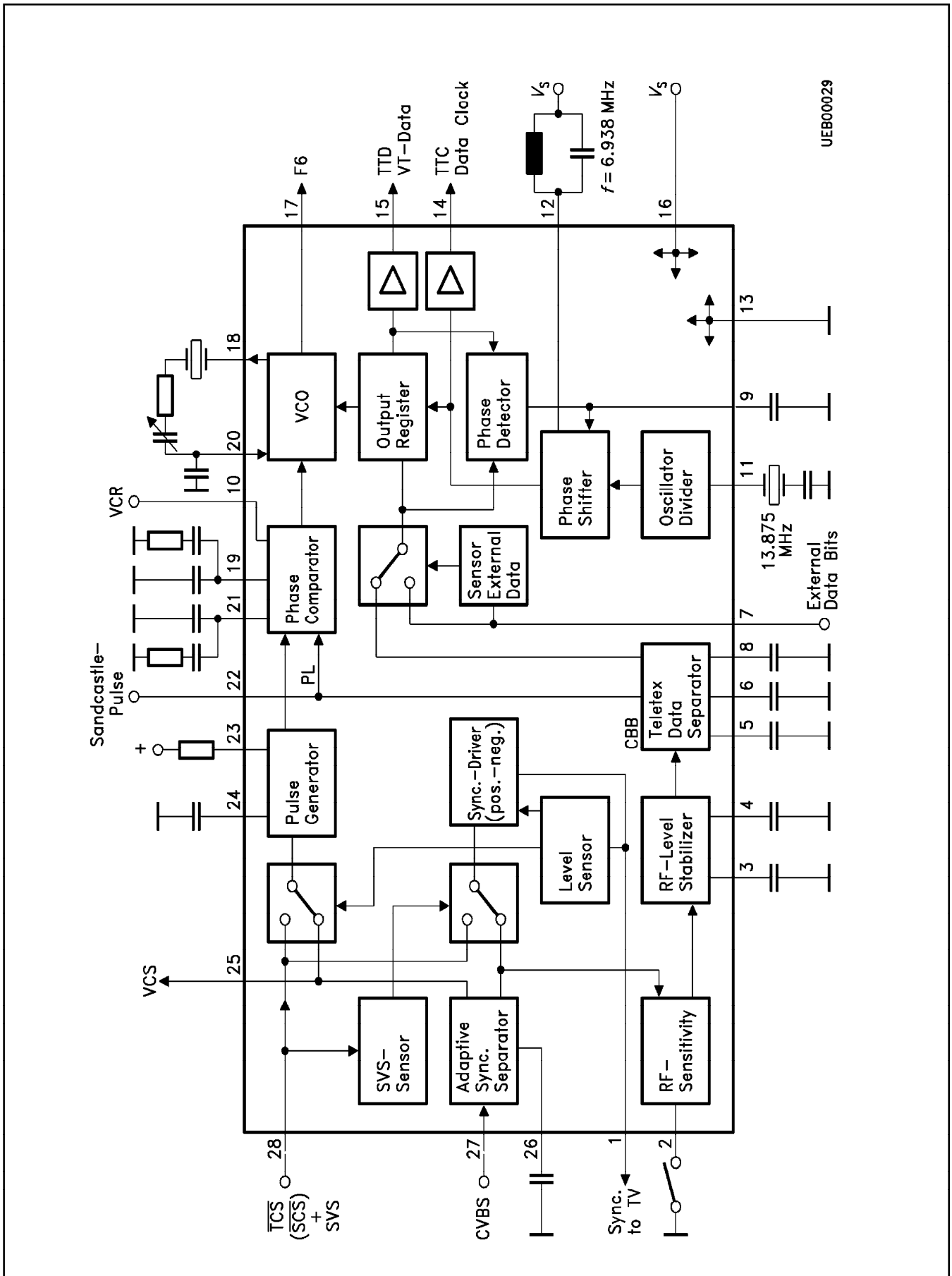
c) Generation of 6-MHz System Clock

The teletext processor generates a picture pixel raster from the 6-MHz system clock. Thus, synchronization of the 6-MHz clock with the CVBS line frequency is necessary for any mixed-mode with teletext.

By shortening all sync. impulses to approximately $2\ \mu\text{s}$, interference from synchronization frame pulses can be avoided by means of a mono flop. The SANDCASTLE derived from the 6-MHz clock signal is synchronized in a phase-locked loop to the shortened sync. impulse. A shorter time constant is used during synchronization: If the CVBS signal is noisy or during after-hours operation, 2 points are important: Data acquisition has to be stopped, and the 6-MHz VCO must oscillate with its nominal frequency. For this purpose the teletext processor controls the VCS signal and switches off the signal component PL of the SANDCASTLE signal, if the CVBS signal is noisy or does not exist.

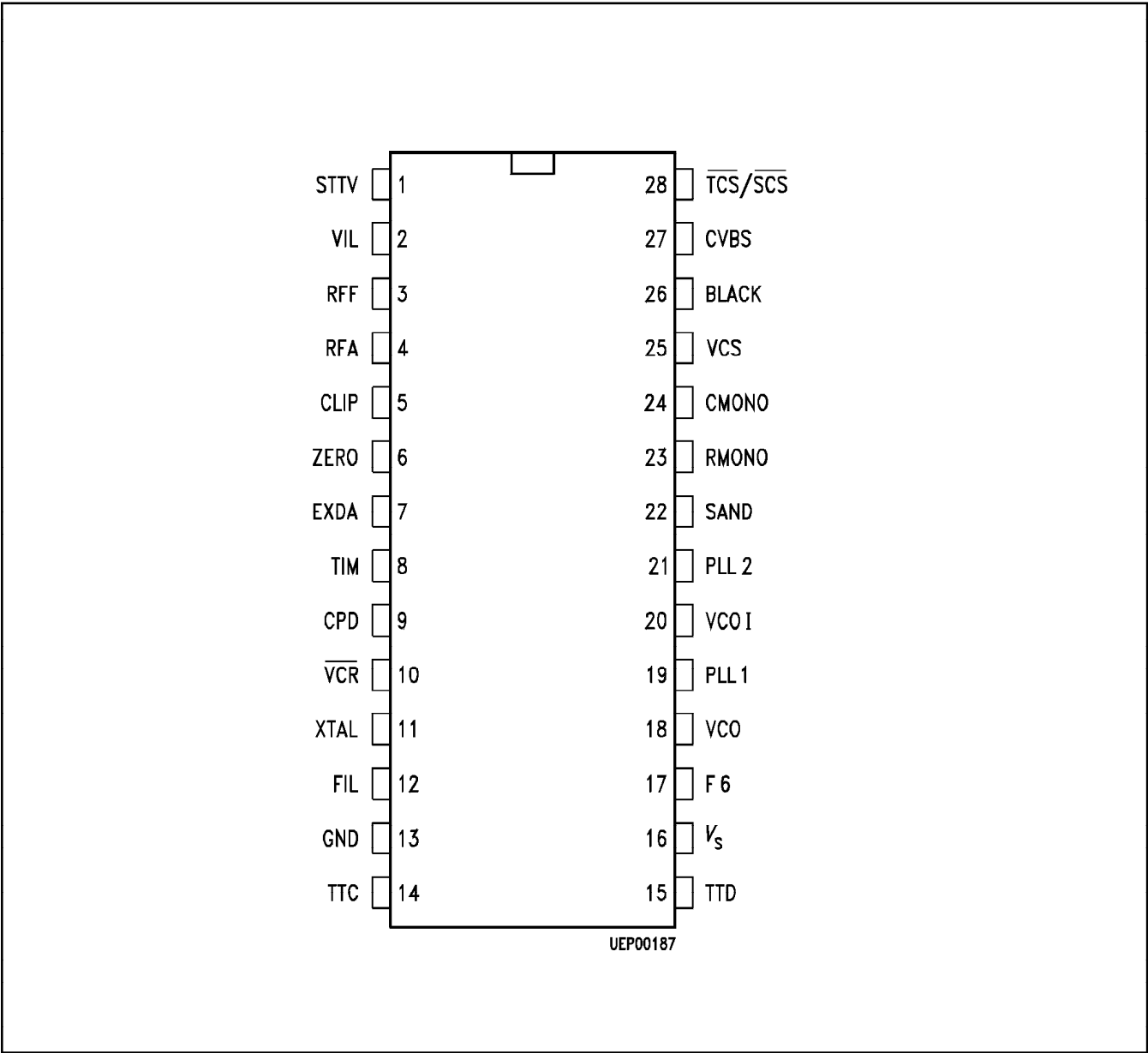
d) Operating-Mode Switch

Operation Mode	Switch by	System Clock Sync. to	Usage
CVBS	Pin 28 = NC	CVBS	i.e. sub-titles
TCS	$V_{28} < 6.1\ \text{V}$	CVBS	interlace/non-interlace mode
SCS	Pin 1 = NC	SCS	Slave-Mode i.e. external synchronization



Block Diagram

Pin Configuration
(top view)



Pin Definitions and Functions

Pin No.	Symbol	Function	Description
1	STTV	Sync.-output	Sync.-Output: positive or negative synchronous signal to synchronize the TV set. Connection of load resistor to pin 1 (1.2 k Ω) against V_s = negative synchronous signal. Connection of load resistor to pin 1 against ground = positive synchronous signal.
2	VIL	Level selection	CVBS Input Level Selection: with LOW the gain is adjusted to a 1 V level and with an open input to 2.5 V level.
3	RFF	RF-filter	RF-Level Stabilizer: capacitor for filter time constant
4	RFA	RF-amplitude	RF-Level Stabilizer: capacitor for internal amplitude-dependent control voltage
5	CLIP	Clipping level	Input capacitor for Clipping Level of adapted Data Separation
6	ZERO	Zero level	Input capacitor for Zero Level of adapted Data Separation
7	EXDA	External teletext data	Data input for External Teletext Data (already separated)
8	TIM	Time characteristics	Capacitor for Time Characteristics of adapted Data Separation
9	CPD	Clock phase detector	Clock Phase Detector: connection for input capacitor
10	VCR	Video tape recorder mode	Video Tape Recorder Mode: switch-over to short horizontal hold-time constant
11	XTAL	Crystal	13.875-MHz Crystal Connection: frequency for double teletext data rate
12	FIL	Filter connection	Filter Connection for 6.9375-MHz data clock
13	GND	Ground	Ground (0 V)
14	TTC	TTC-output	TTC Output
15	TTD	TTD-output	TTD Output
16	V_s	V_s	Supply Voltage +
17	F6	F6-output	F6 Output: 6-MHz clock (signal with negligible harmonic wave)
18	VCO	VCO-output	6-MHz VCO Output for frequency-determining resonant circuit
19	PLL1	PLL-low-pass-filter	PLL-Low-Pass-Filter with small time-constant by async. operation (filter 2)

Pin Definitions and Functions (cont'd)

Pin No.	Symbol	Function	Description
20	VCOI	VCO-input	6-MHz VCO input for frequency-determining resonant circuit
21	PLL2	PLL-low-pass-filter	PLL-Low-Pass-Filter with bigger time-constant for standard operation
22	SAND	Sandcastle pulse	Sandcastle Pulse
23	RMONO	R-Monoflop	Chronology Resistor of the monoflops
24	CMONO	C-Monoflop	Chronology Capacitor of the monoflops
25	VCS	VCS-output	VCS-Output: synchronous signal separated from comp. video
26	BLACK	Black level input capacitor	Black Level Input Capacitor for the adapted synchronous pulse separator
27	CVBS	CVBS-input	CVBS Input Signal via coupling capacitor with 1 V signal level when pin 2 is connected to ground
28	$\overline{TCS}/\overline{SCS}$	\overline{TCS} -, (\overline{SCS})-input	Synchronous Signal-Input \overline{TCS} during text playback (or \overline{SCS} , when pin 1 is open)

Absolute Maximum Ratings $T_A = 25\text{ °C}$ (all voltages are referred to V_{SS})

Parameter	Symbol	Limit Values		Unit
		min.	max.	
Supply voltage	$V_{16/13}$		13.2	V
Storage temperature range	T_{stg}	- 40	125	°C
Output current VCS	$- I_{25H}$		5	mA
Output current TTD	$- I_{15H}$		10	mA
Output current TTC	$- I_{14H}$		10	mA
Output current F6	$- I_{17H}$		10	mA
Output current sync.	I_1		5	mA
Thermal resistance system-air	R_{thSA}		50	K/W

Operating Range

Supply voltage	$V_{16/13}$	10.8	13.2	V
Ambient temperature in operation	T_A	0	70	°C

Characteristics

$T_A = 25^\circ\text{C}$; $V_S = 12\text{ V} \pm 10\%$

Parameter	Symbol	Limit Values			Unit
		min.	typ.	max.	
Supply current	I_S	53	70	100	mA

CVBS Input, pin 27

Input signal level					
Pin 2 to ground	V_{27}	0.7	1	1.4	V
Pin 2 open	V_{27}	1.75	2.5	3.5	V
Synchronous signal amplitude	$V_{27\text{ Sync}}$	0.1		1	V
Teletext data level					
Pin 2 to ground	$V_{27\text{ VTD}}$	0.3	0.46	0.7	V
Pin 2 open	$V_{27\text{ VTD}}$	0.75	1.15	1.75	V
Generator resistor	R_{G27}			250	Ω

Adaptation to CVBS Level

Input voltage					
$V_{27} = 1\text{ V}$ when	$V_{2/13\text{ L}}$	0		0.8	V
$V_{27} = 2.5\text{ V}$ when	$V_{2/13\text{ H}}$	2.0		5.5	V
Input current					
	$-I_{2\text{L}}$	0		150	μA
	$I_{2\text{H}}$	0		1.3	mA

Teletext Data

Output signal TTD	v_{15}	2.5	3.5	4.5	V
Transition times	t_r, t_f	20	30	45	ns
Max. permissible capacitive load	$C_{15/13}$			40	pF
Data clock signal TTC	v_{14}	2.5	3.5	4.5	V
Transition times	t_r, t_f	20	30	45	ns
Max. permissible capacitive load	$C_{14/13}$			40	pF
Time deviation with respect to TTD	t_d	- 20	0	20	ns
DC voltage at outputs	$V_{14, 15/13}$		4		V

Characteristics (cont'd)

Parameter	Symbol	Limit Values			Unit
		min.	typ.	max.	

Synchronous Pulse Separation VCS

(Signal at teletext decoder)

Output voltage	V_{25L}	0		0.4	V
	V_{25H}	2.4		5.5	V
Output current	I_{25L}			0.5	mA
	$-I_{25H}$			1.5	mA
Delay with respect to CVBS sync.	t_d		0.5		μ S

Sync Output Driver

(Signal at TV set)

Output voltage TCS operation	V_1		0.45		V
	V_1			1	V
Comp. video operation					
Positive synchronous signal DC voltage load resistor to ground	$V_{1/13}$	1.4			V
Output current	$-I_1$			3	mA
Negative synchronous signal DC voltage load resistor to V_s	$V_{1/13}$		10.1		V
Output current	I_1			3	mA

6-MHz Clock F6

F6-output signal (negligible harmonic content)	V_{17}	1	2	3	V
Transition times	t_r, t_f	20		40	ns
Max. permissible capacitive load	$C_{17/13}$			40	pF
DC voltage at output	$V_{17/13}$	4		8.5	V

Synchronisation Selection SVS

Input current during TCS operation $V_{28} = 0 \dots 6.1$ V CVBS ¹⁾ CVBS $V_{28} = 10 \dots V_s$	$-I_{28}$	40	70	100	μ A
	$-I_{28}$			15	μ A
	I_{28}	-5		5	μ A

TCS Operation

Input voltage Load resistor at pin 1	V_{28L}	0		0.8	V
Load resistor at pin 1	V_{28H}	2		6.1	V

Characteristics (cont'd)

Parameter	Symbol	Limit Values			Unit
		min.	typ.	max.	

SCS Operation

Input voltage Pin 1 open	V_{28L}	0		1.5	V
Pin 1 open	V_{28H}	3.5		6.1	V
Line synchronous pulse width TCS operation	t_p		2		μs
SCS operation	t_p		3		μs

VCR Operation

Input voltage during VCR operation	$V_{10/13L}$	0		0.8	V
Standard operation	$V_{10/13H}$	2		V_s	V
Input current	I_{10}	- 10	0	10	μA

Sandcastle Pulse Input

Phase locked mode Input voltage PL	$V_{22/13L}$	0		3	V
Input voltage PL	$V_{22/13H}$	3.9		5.5	V
PL-low-time for free-wheeling oscillator	t_{PL}	100			ms
Reset pulse for data separation Input voltage CBB	$V_{22/13L}$	0		0.5	V
Input voltage CBB	$V_{22/13H}$	1		5.5	V
Input current	I_{22}	- 10		10	μA

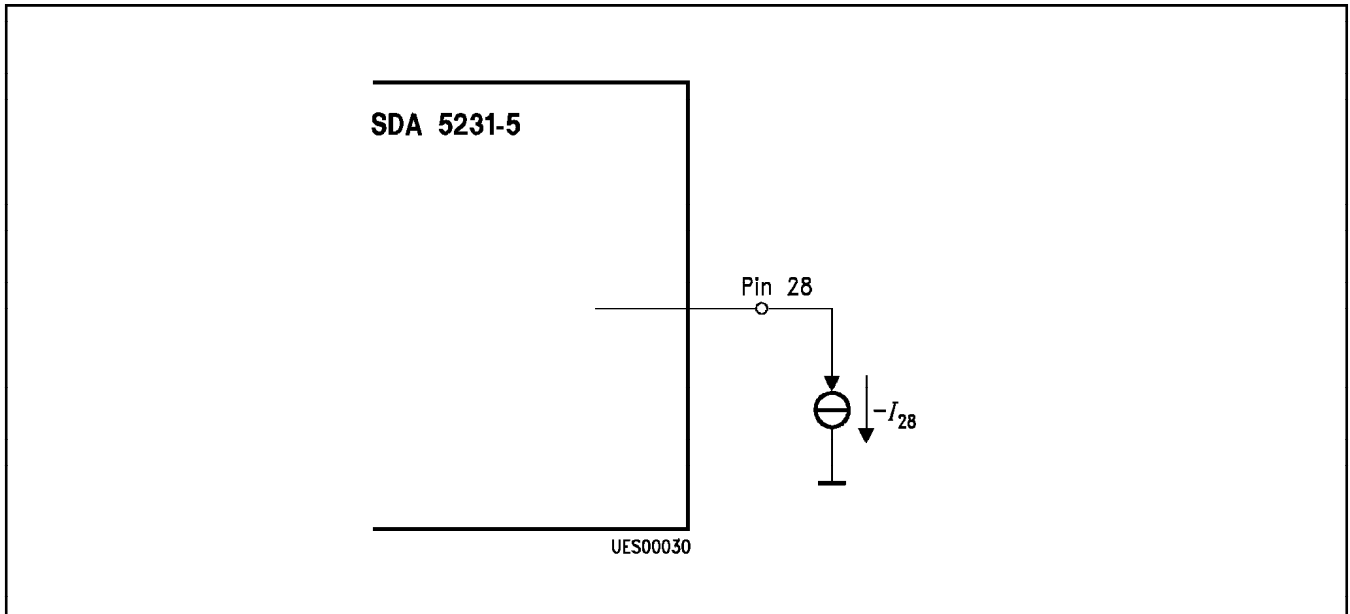
Input for External Data (current source driving)

Internal data processing Input current ²⁾ Voltage $I_7 = - 10$ to $+ 100 \mu\text{A}$	I_7 V_7	- 10	0	100	μA
External data processing Input current for low ²⁾ for high ²⁾ Voltage $I_7 = - 25$ to $- 1000 \mu\text{A}$	I_{7L} I_{7H} V_7	- 175 - 1000 7	- 40 - 500 8	- 25 - 325	μA μA V

1) **Remarks:** Test circuit 1

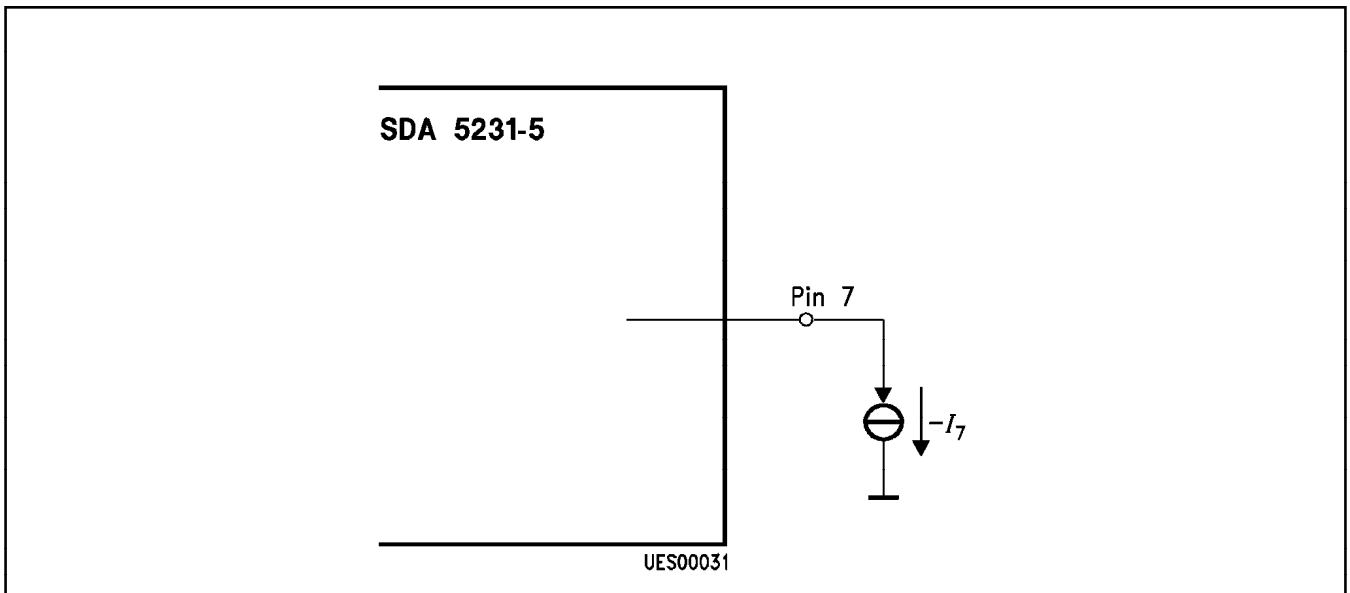
2) Test circuit 2

Test Circuits



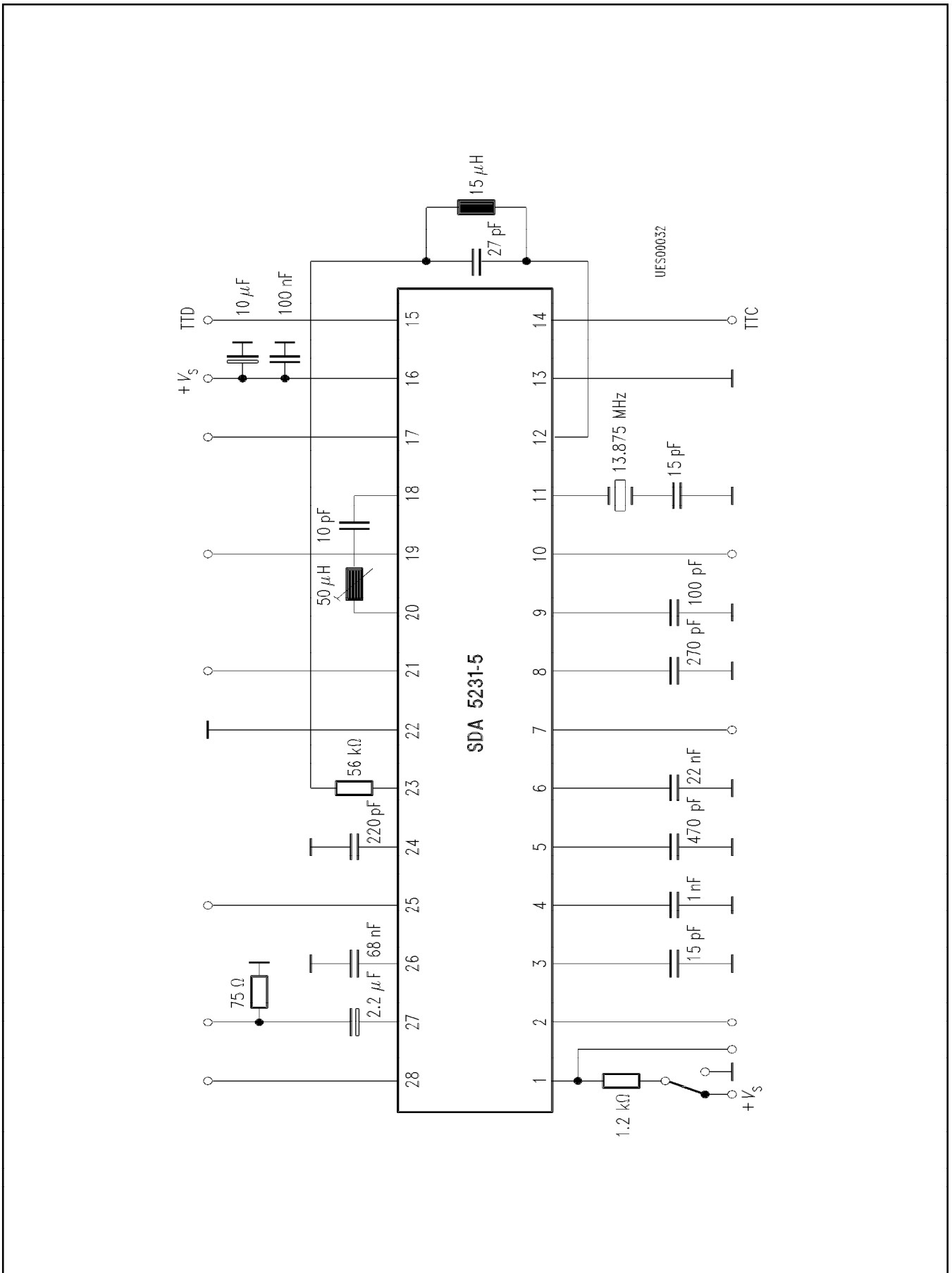
Test Circuit 1

During CVBS operation the output current of pin 28 shall not exceed $15 \mu\text{A}$ (the pin 12 of the decoder SDA 5242-3 is high-impedance connected)

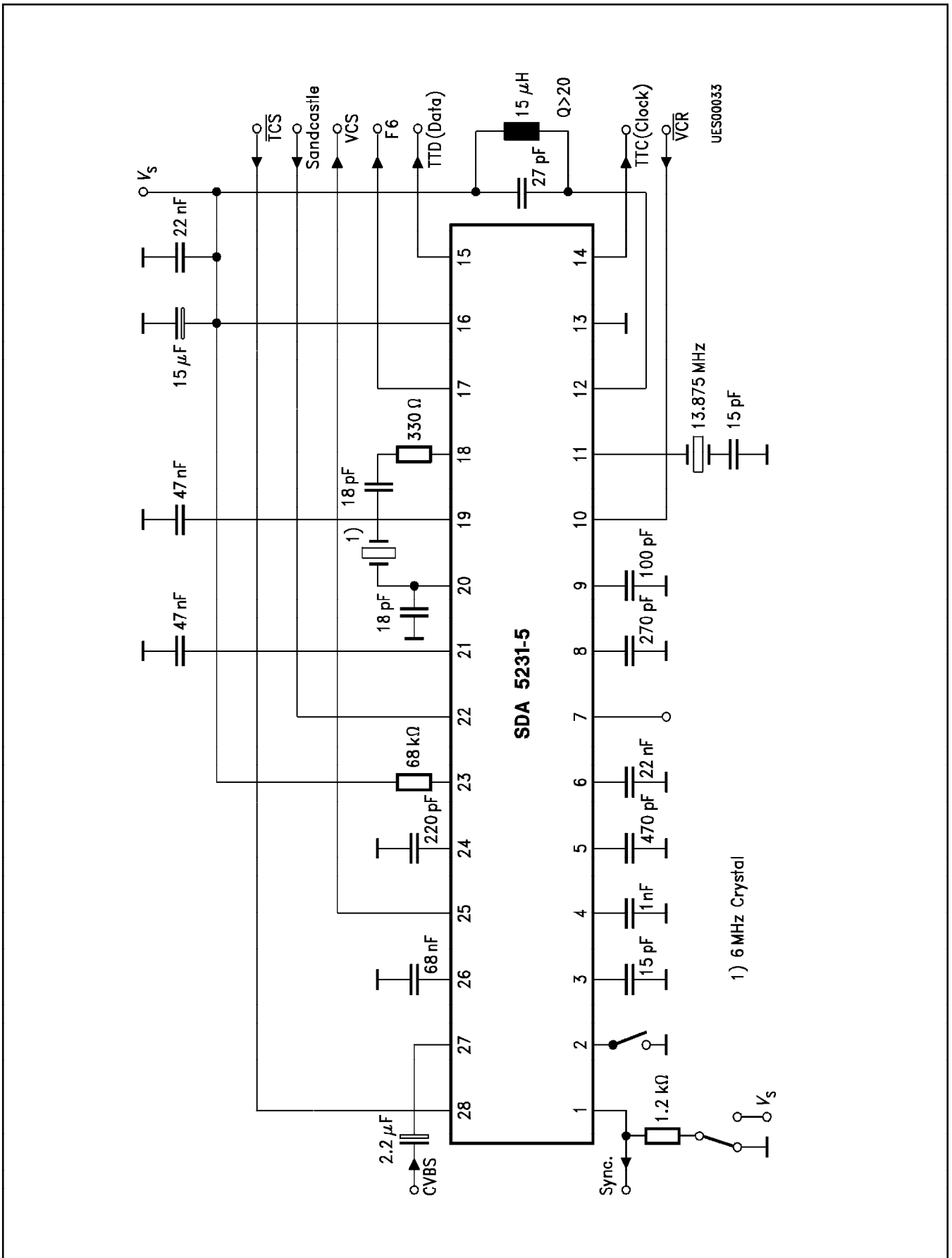


Test Circuit 2

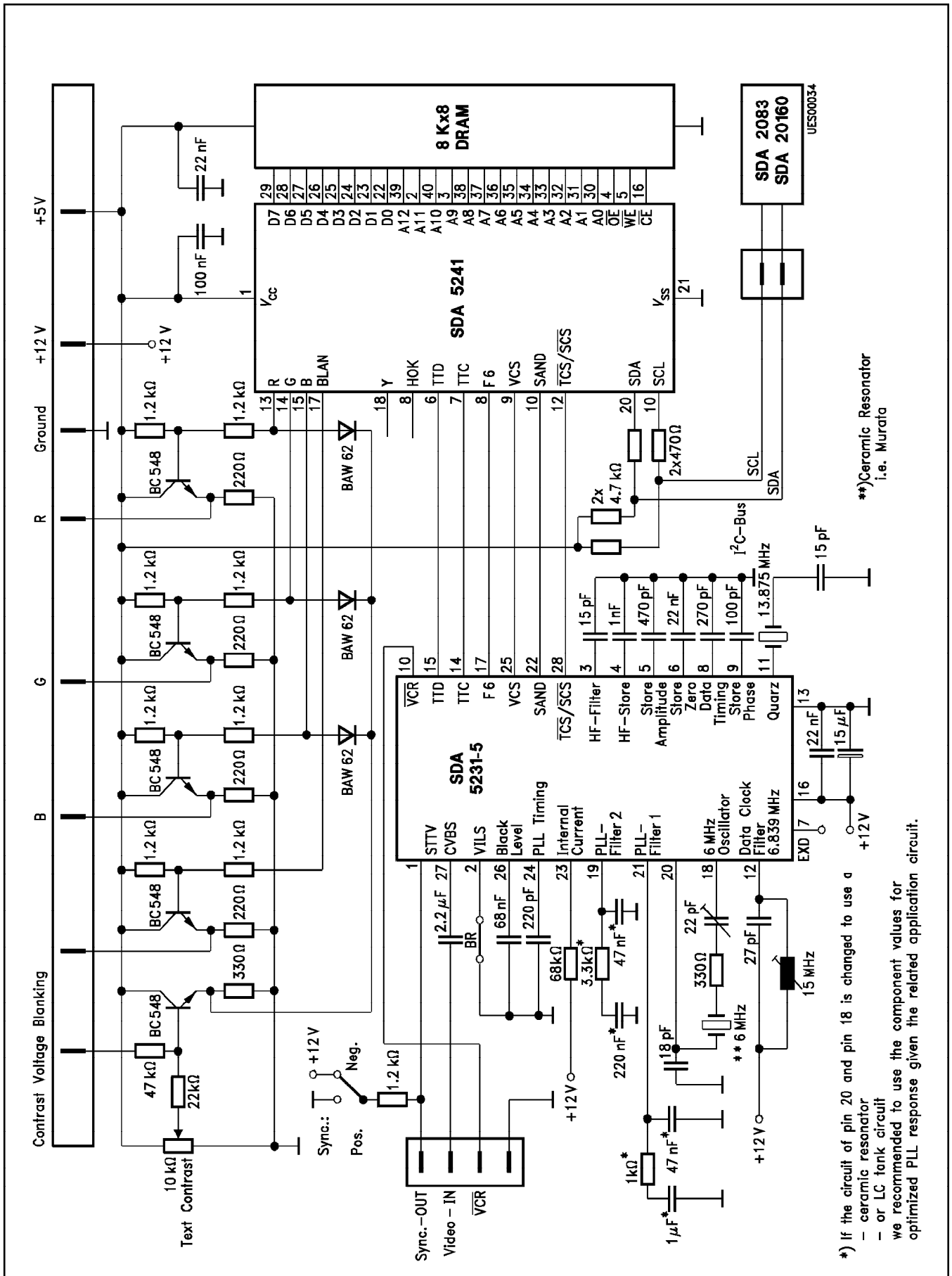
The output current of pin 7 cannot be higher than $10 \mu\text{A}$ if the processing of the teletext data (which is in CVBS) must occur.



Test Circuit 3



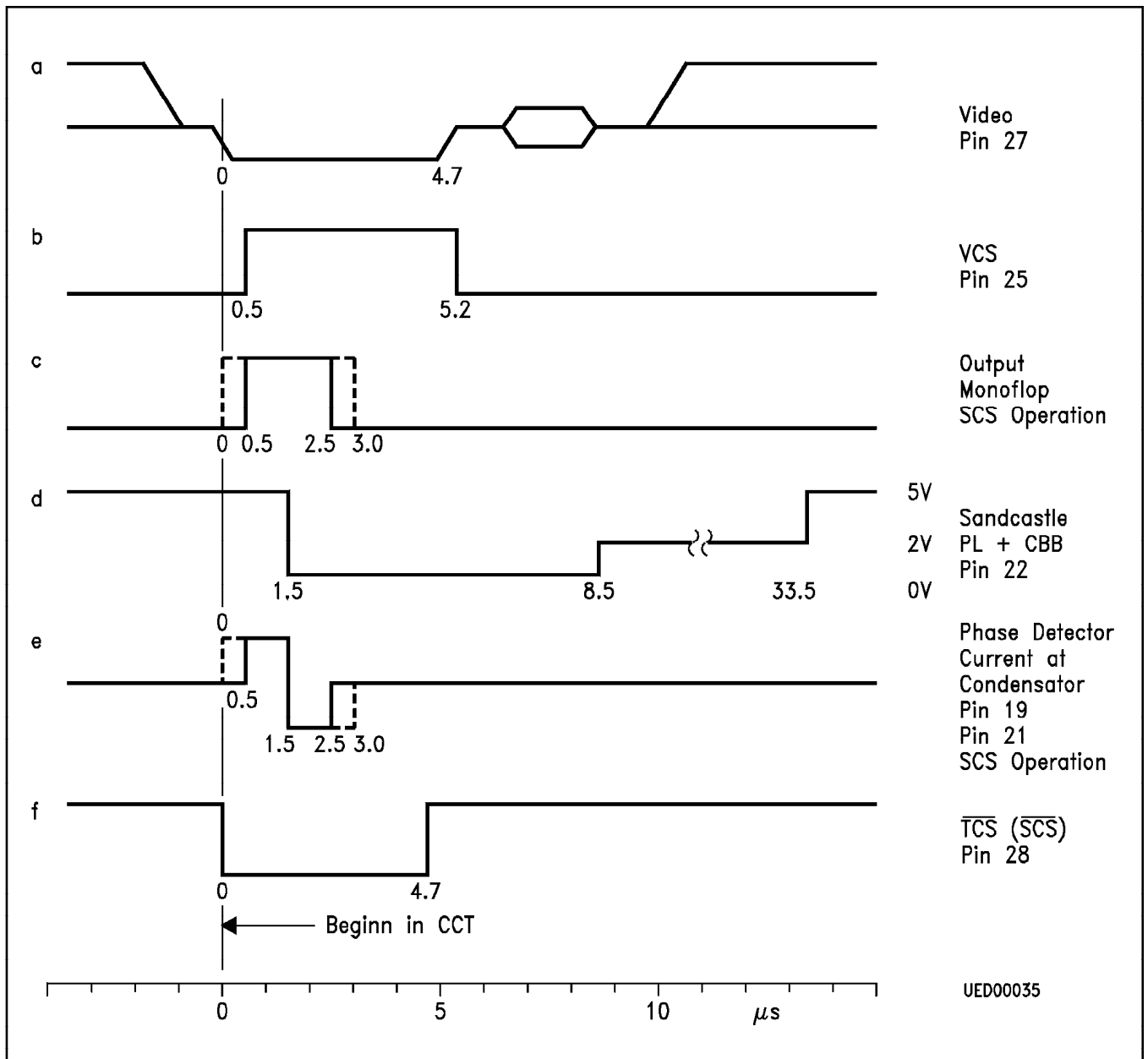
Application Circuit Crystal



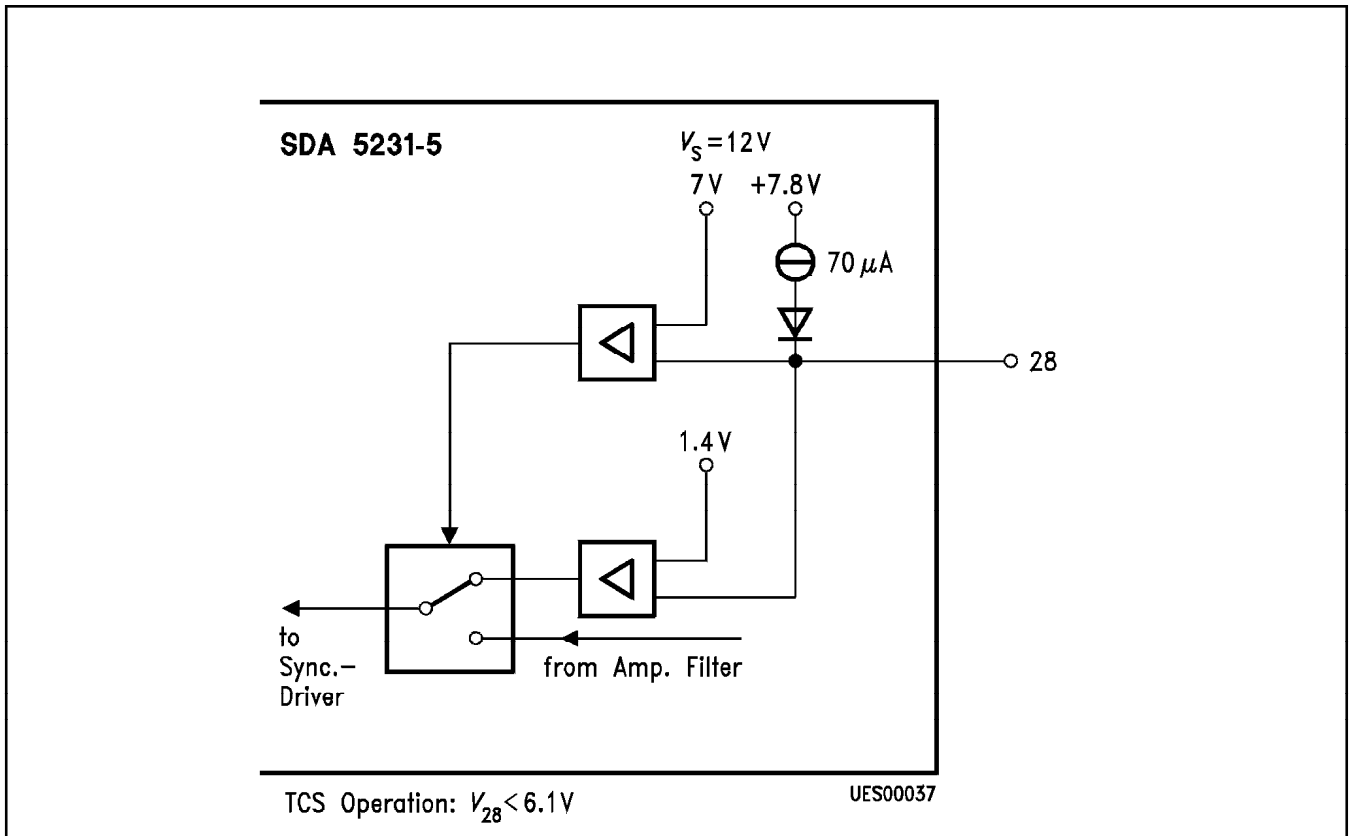
**Ceramic Resonator
i.e. Murata

*) If the circuit of pin 20 and pin 18 is changed to use a
- ceramic resonator
- or LC tank circuit
we recommended to use the component values for
optimized PLL response given the related application circuit.

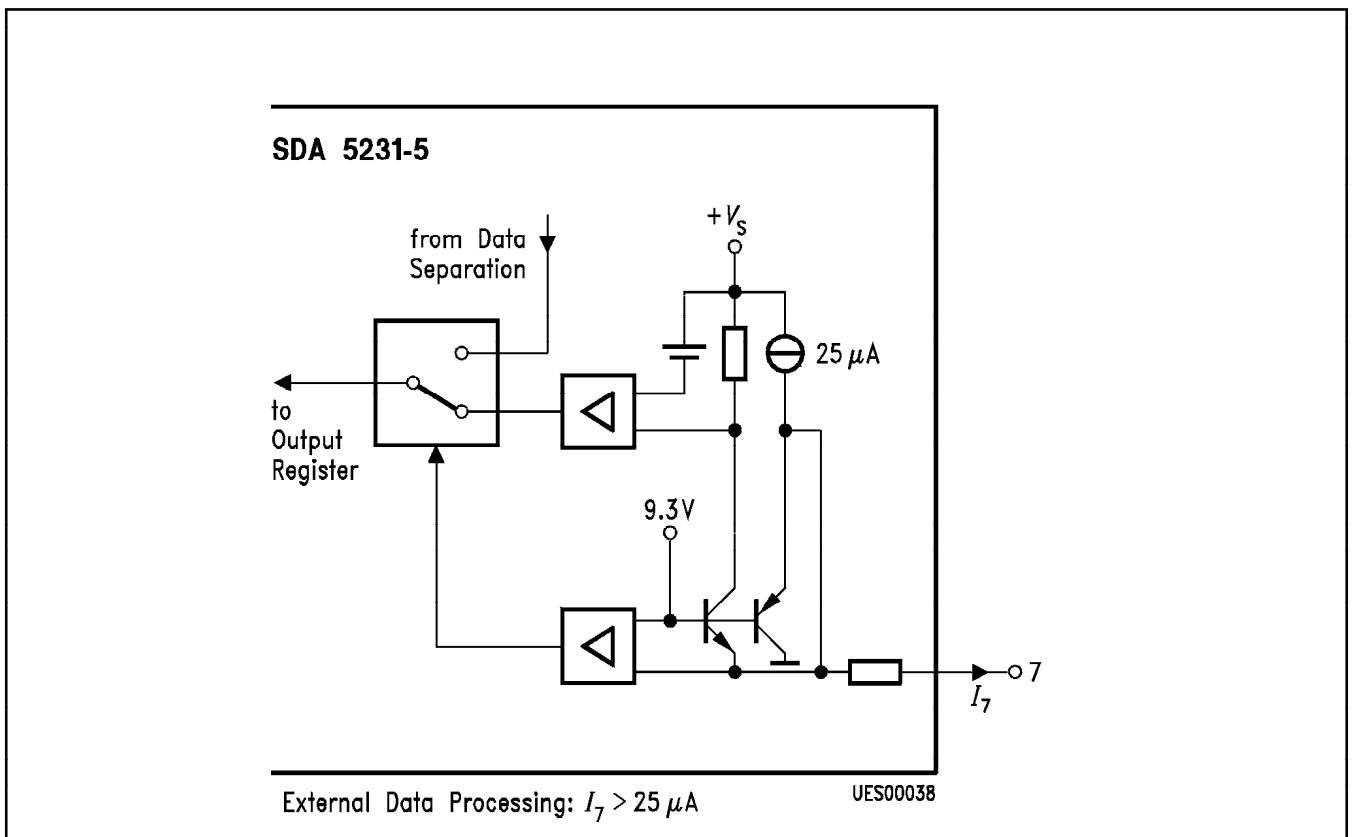
Application Circuit with SDA 5241



Pulse Diagrams



Pin 28



Pin 7