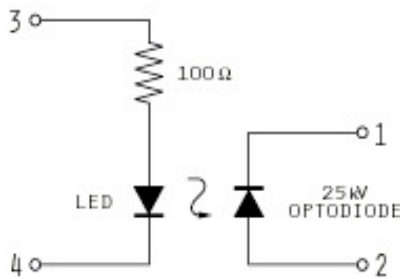


HIGH VOLTAGE

INTRODUCING
OUR **NEW**
OC250

Opto-Coupler

HV LINEAR REGULATOR



ABSOLUTE MAXIMUM RATINGS

LED

- Forward DC Current 100 mA
- Surge Current 2.5 A
- Reverse Voltage 20 V
- Power Dissipation (25° C) 1000 mW

Photodiode

- Reverse Voltage 25,000 V
- Power Dissipation 2.5 W

- Storage Temperature -40° C to +125° C
- Operating Temperature -40° C to +100° C
- Isolation Test Voltage 25 kV (Pins 1 & 2 to Pins 3 & 4)

ELECTRICAL CHARACTERISTICS

LED

- Forward Voltage (If = 100 mA) 9.0 V
- Reverse Leakage Current 10 nA
VR = 20V

Photodiode

- Forward Voltage (If = 0.6 A) 36 V MAX
- Reverse Leakage Current
VR = 25 kV, I_f = 0 mA 250 nA Typical
VR = 25 kV, I_f = 100 mA 100 μA Typical

Coupled

- DC Current Transfer Ratio 0.1%
- T_{10%} 2 μs
- T_{50%} 2 μs

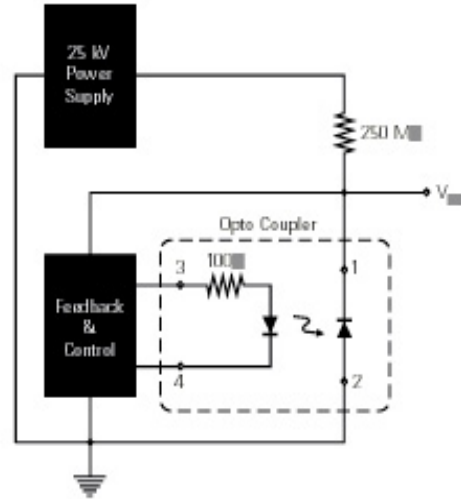
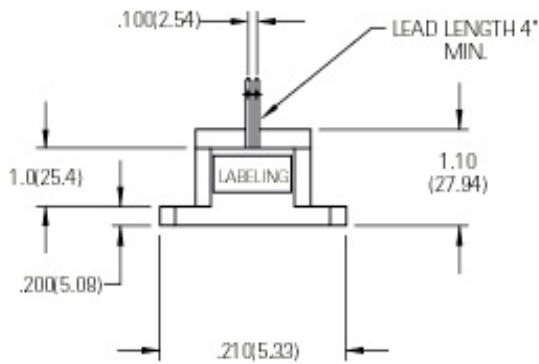
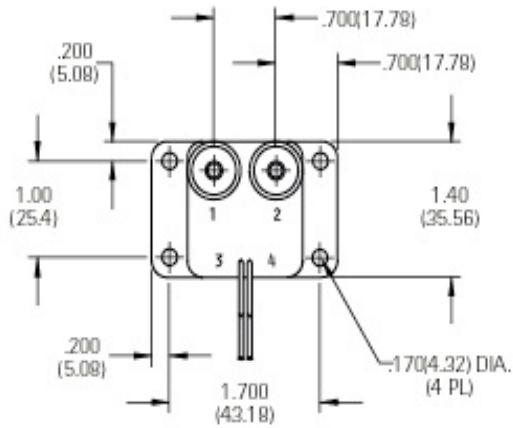
(25°C Unless Otherwise Noted)



VOLTAGE MULTIPLIERS INC.
8711 W. Roosevelt Ave.
Visalia, California 93291

TEL 559 651-1402
FAX 559 651-0740
www.voltagemultipliers.com

OC250



Typical HV Linear Regulator Circuit

- Select resistor value to optimize circuit for V_{out} and I_{out} range.

