

RC Phase-Lock-Loop Stereo Decoder

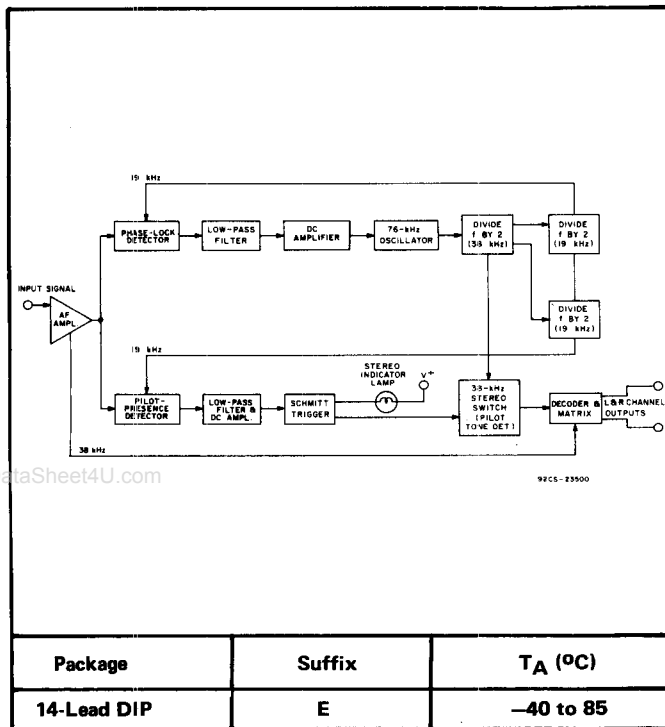
CA1310

Applications and Features

- For FM stereo multiplex systems
- Low distortion (THD): 0.3% typ.
- Excellent SCA (storecast) rejection: 80 dB typ.
- RC oscillator
- High-audio channel separation: 40 dB typ.
- Operates from a wide range of power supplies: 8 to 16 V dc
- Requires only one adjustment for alignment
- Drives a stereo indicator lamp up to 75 mA — surge current limiting

Typical Electrical Characteristics

Capture Range (Deviation from 76-kHz center frequency)	±3 %
19-kHz Rejection	34.4 dB
38-kHz Rejection	45 dB
SCA (storecast) Rejection	80 dB
Channel Balance (Monaural)	1.5 dB max.
19-kHz Input Level (Lamp "On")	16 mV RMS
Monaural Gain	-5 dB typ.
Input Impedance	50 kΩ



Package	Suffix	T _A (°C)
14-Lead DIP	E	-40 to 85

File No. 761*

*Refer to indicated File No. for data bulletin and where given to indicated ICAN No. for application note.