

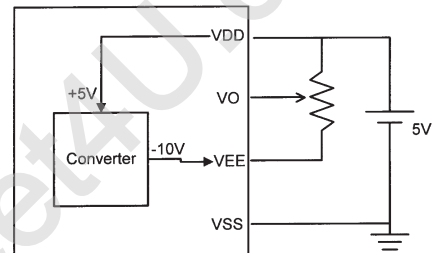
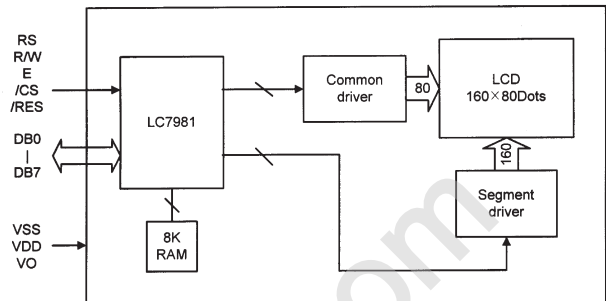
AG-16080B

•160x80 dots 1/80 Duty

FEATURE

- 1.Construction : STN/FSTN LCD, Bezel, Heat Seal, Zebra and PCB.
- 2.Optional LED or EL back-light.
- 3.Controller : LC7981
- 4.5V single power input. Built-in DC/DC converter for LCD driving.
- 5.Normal temperature type.

BLOCK DIAGRAM & POWER SUPPLY

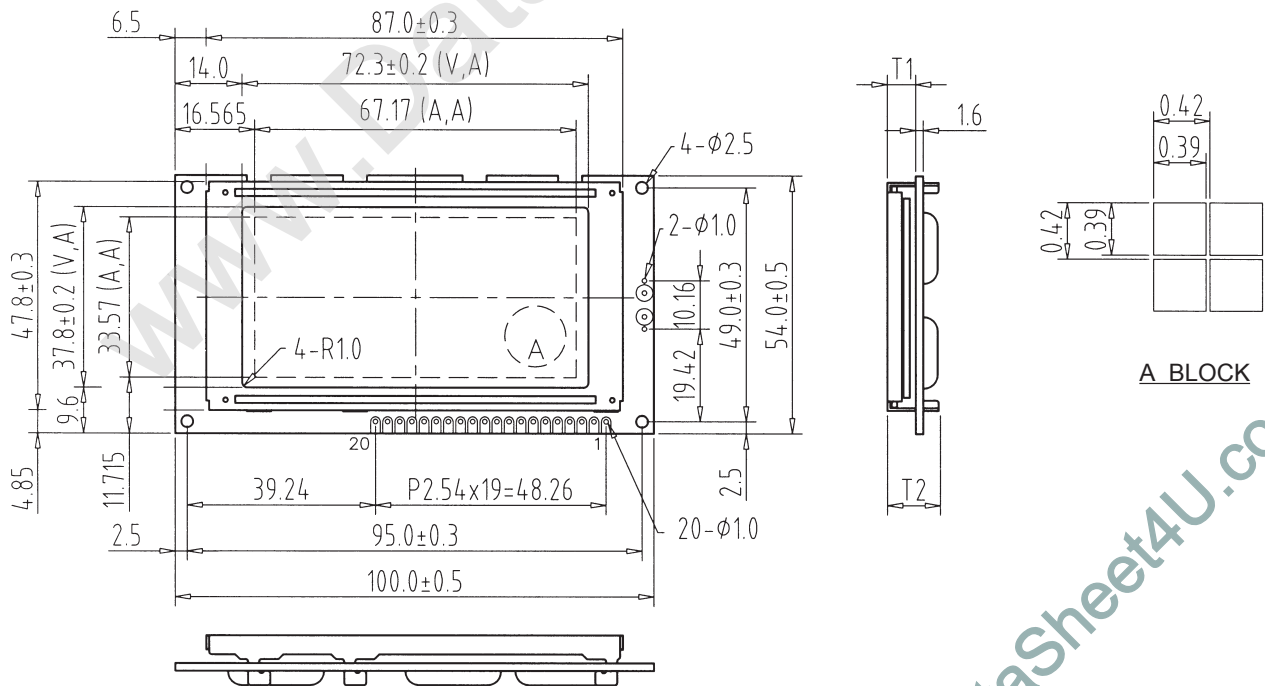


ELECTRICAL CHARACTERISTICS

Item	Symbol	Condition	Typ.Value	Unit.
LCD Driving Voltage	VDD-VO	25°C	12.6	V
Supply Current	IDD	VDD=5.0V	5.0	mA

INTERFACE

1	2	3	4	5	6	7	8	9	10
VSS	VDD	VO	RS	R/W	E	DB0	DB1	DB2	DB3
11	12	13	14	15	16	17	18	19	20
DB4	DB5	DB6	DB7	/CS	/RES	VEE	/DISPOFF	A/EL1	K/EL2



THICKNESS:

VERSION	T1	T2
EL & NO BACKLIGHT	5.9±0.3	11.3Max
LED BACKLIGHT	10.0±0.3	15.3Max