

# NTC THERMISTORS: TYPE JR

## CHIP THERMISTOR IN EYELET TAG

### DESCRIPTION:

NTC chip thermistor with insulated flexible wires and housed in an eyelet tag.

### FEATURES:

- Suitable for surface temperature measurement
- Sensing element electrically isolated from tag
- Two standard resistance values: 10kΩ & 20kΩ nominal at 25°C
- Eyelets to fit M3, M4 & M5 screw sizes
- Range of wire lengths 50 to 2000mm (dimension WL in diagram right)
- Typical applications include semiconductor heatsinks, enclosure panels

### OPTIONS:

- Other resistance - temperature characteristics
- Other wire types

### CODING:

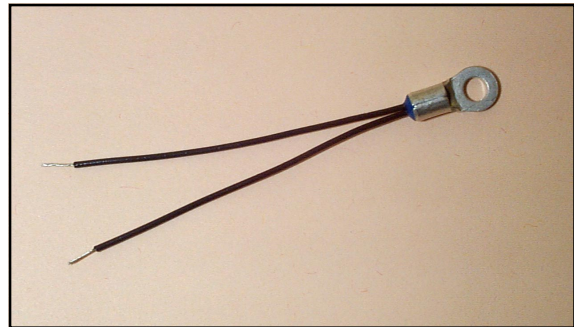
Eyelet size and wire length are specified by the product code:

e.g. **JR203R5M3L500**

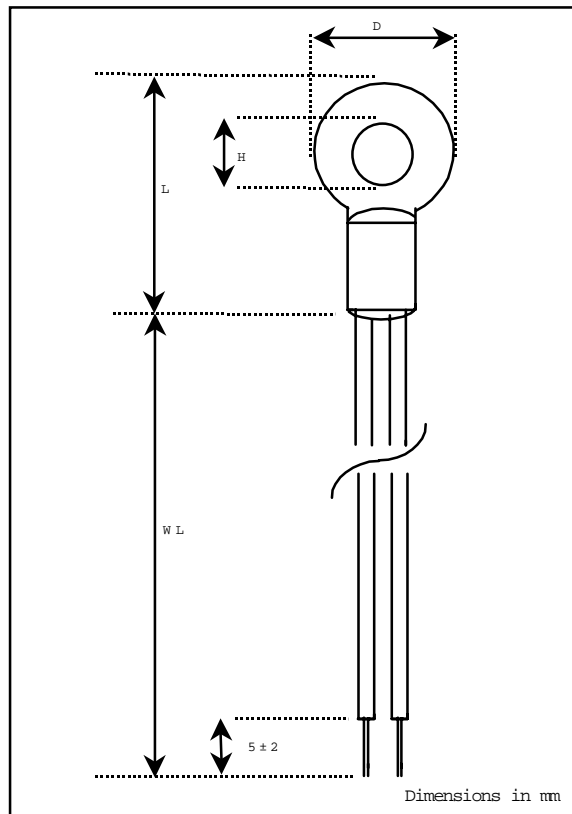
Example	Description	Standard values	
JR	Sensor style		
203R5	R25 & tolerance	103R5	10kΩ ± 5%
		203R5	20kΩ ± 5%
M3	Eyelet size	M3	See dimensions below
		M4	
		M5	
L500	Wire length WL mm	L500	50 ± 5
		L101	100 ± 10
		L201	200 ± 20
		L301	300 ± 20
		L401	400 ± 20
		L501	500 ± 20
		L102	1000 ± 50
		L152	1500 ± 50
		L202	2000 ± 50

### EYELET DIMENSIONS

Eyelet size	H (mm)	D (mm)	L (mm)
M3	3.2	6.4	12.3
M4	4.3	8.5	16.8
M5	5.3	8.5	16.8



### DIMENSIONS:



### DATA:

**R25** ..... 10kΩ ± 5% (JR103R5MxLxxx)

..... 20kΩ ± 5% (JR203R5MxLxxx)

**B 25/85** ..... 3977K ± 0.75%

**Temperature range** ..... -25 to +105°C

**Isolation voltage** ..... 500V d.c.

**Wire conductors** ..... Tin-plated copper

..... 7x0.1mm dia

**Wire insulation** ..... Irradiated PVC

**Pack quantity & MOQ** ..... 200 pcs

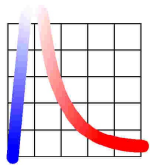
Data sheet D-JR-5

**THERMOMETRICS UK**  
Crown Industrial Estate, Priorswood Rd  
Taunton, Somerset TA2 8QY UK  
Tel +44 (0)1823 335200  
Fax +44 (0)1823 332637  
Email: info@thermometrics.com

**THERMOMETRICS NEW JERSEY**  
808 US Highway 1  
Edison, New Jersey 08817-4695 USA  
Tel +1 (732) 287 2870  
Fax +1 (732) 287 8847  
Email: sales@thermometrics.com

**THERMOMETRICS ST MARYS**  
967 Windfall Road  
St Marys, Pennsylvania 15857-3397 USA  
Tel +1 (814) 834 9140  
Fax +1 (814) 781 7969  
Email: sales-pa@thermometrics.com

**THERMOMETRICS KOREA**  
#302 3rd floor Bethel Bldg,  
324-1 Yangjae-dong, Seocho-Ku, Seoul, Korea  
Tel +82 (0)2 5765232, 5233  
Fax +82 (0)2 576 5234  
Email: thmkorea@bora.dacom.co.kr



# NTC THERMISTORS: TYPE JR

## CHIP THERMISTOR IN EYELET TAG

Temperature C	Rt/R25 nominal	Resistance tolerance ± %	Temperature tolerance ± C
-20	9.6807	6.80	1.17
-15	7.2809	6.58	1.17
-10	5.5253	6.35	1.17
-5	4.2292	6.14	1.17
0	3.2640	5.94	1.16
5	2.5391	5.74	1.16
10	1.9902	5.54	1.16
15	1.5713	5.36	1.15
20	1.2493	5.18	1.15
25	1.0000	5.00	1.14
30	0.8056	5.17	1.21
35	0.6530	5.34	1.29
40	0.5325	5.50	1.37
45	0.4367	5.65	1.45
50	0.3601	5.81	1.53
55	0.2985	5.96	1.61
60	0.2487	6.10	1.69
65	0.2082	6.24	1.78
70	0.1751	6.38	1.87
75	0.1480	6.52	1.96
80	0.1256	6.65	2.05
85	0.1070	6.77	2.15
90	0.09155	6.90	2.24
95	0.07864	7.02	2.34
100	0.06781	7.14	2.44
105	0.05868	7.26	2.54

Data sheet D-JR-5

**THERMOMETRICS UK**  
 Crown Industrial Estate, Priorswood Rd  
 Taunton, Somerset TA2 8QY UK  
 Tel +44 (0)1823 335200  
 Fax +44 (0)1823 332637  
 Email: info@thermometrics.com

**THERMOMETRICS NEW JERSEY**  
 808 US Highway 1  
 Edison, New Jersey 08817-4695 USA  
 Tel +1 (732) 287 2870  
 Fax +1 (732) 287 8847  
 Email: sales@thermometrics.com

**THERMOMETRICS ST MARYS**  
 967 Windfall Road  
 St Marys, Pennsylvania 15857-3397 USA  
 Tel +1 (814) 834 9140  
 Fax +1 (814) 781 7969  
 Email: sales-pa@thermometrics.com

**THERMOMETRICS KOREA**  
 #302 3rd floor Bethel Bldg,  
 324-1 Yangjae-dong, Seocho-Ku, Seoul, Korea  
 Tel +82 (0)2 5765232, 5233  
 Fax +82 (0)2 576 5234  
 Email: thmkorea@bora.dacom.co.kr