

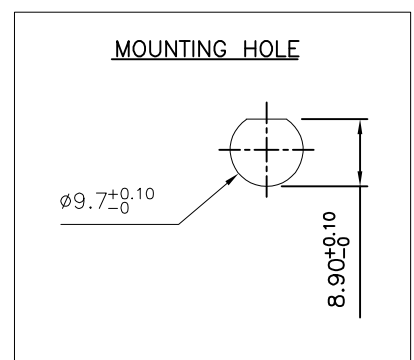
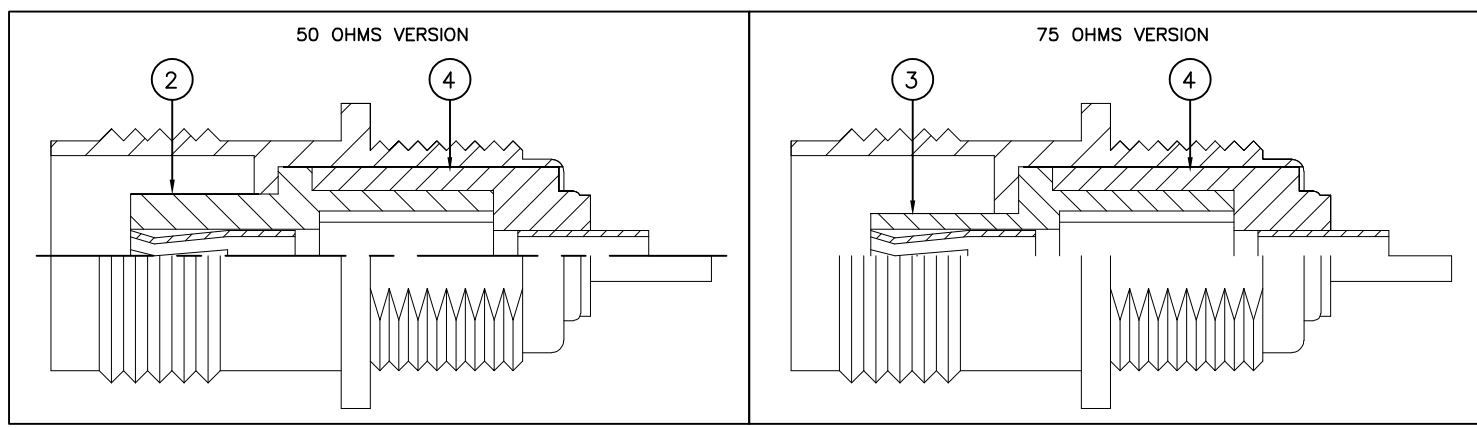
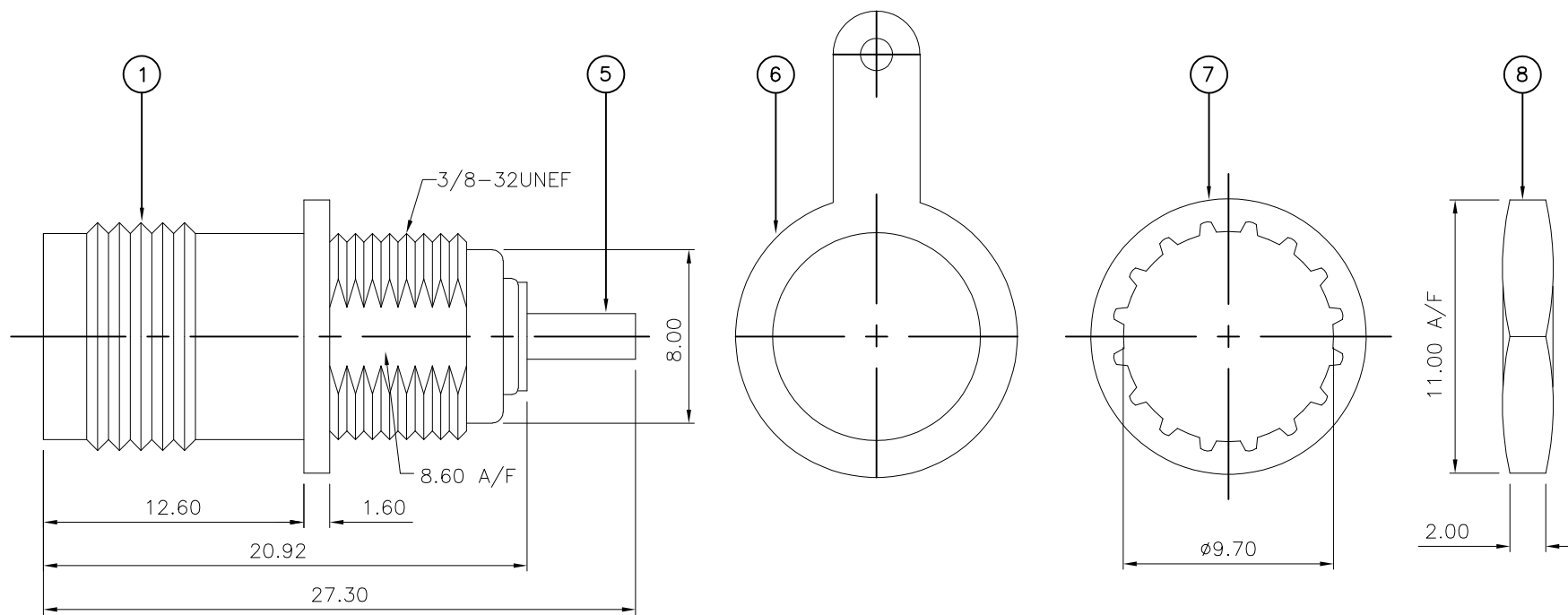
THIS DRAWING IS UNPUBLISHED. RELEASED FOR PUBLICATION AUGUST, 2006.

© COPYRIGHT 2006 BY TYCO ELECTRONICS CORPORATION. ALL RIGHTS RESERVED.

| LOC | DIST | REVISIONS |     |               |           |      |      |
|-----|------|-----------|-----|---------------|-----------|------|------|
| E   | B    | P         | LTR | DESCRIPTION   | DATE      | DWN  | APVD |
|     |      | B         |     | ECO-09-003420 | 11 Mar 09 | RITA | BOB  |

NOTES:

- 1 PACK IN ACCORDANCE WITH AMP SPEC 107-3275
- 2 100 TRAY PACK IN ACCORDANCE WITH AMP SPEC 107-3275
- 3 Au PLATING
- 4 Ni PLATING
- 5 FOR TECHNICAL DATA REFER TO YOUR LOCAL TYCO ELECTRONICS SALES OFFICE
- 6 ALL DIMENSIONS ARE NOMINAL FOR REFERENCE ONLY UNLESS OTHERWISE STATED



| QTY               | QTY  | QTY  | QTY  | MATERIAL        | DESCRIPTION   | ITEM |
|-------------------|------|------|------|-----------------|---------------|------|
| 1                 | 1    | 1    | 1    | STEEL           | HEXAGONAL NUT | 8    |
| 1                 | 1    | 1    | 1    | STEEL           | LOCKWASHER    | 7    |
| 1                 | 1    | 1    | 1    | BRASS           | SOLDER TAG    | 6    |
| 1                 | 1    | 1    | 1    | PHOSPHOR BRONZE | CONTACT       | 5    |
| 1                 | 1    | 1    | 1    | PTFE            | INSULATION    | 4    |
| 1                 | 1    | -    | -    | PTFE            | INSULATION    | 3    |
| -                 | -    | 1    | 1    | PTFE            | INSULATION    | 2    |
| 1                 | 1    | 1    | 1    | ZINC            | BODY          | 1    |
| 5--3              | 5--2 | 5--1 | 5--0 |                 |               |      |
| 1                 | 1    | 1    | 1    |                 |               |      |
| QUANTITY PER ASSY |      |      |      | PARTS LIST      |               |      |

|  |  |                         |  |  |
|--|--|-------------------------|--|--|
| THIS DRAWING IS A CONTROLLED DOCUMENT. |  | DWN RITA ZUO 11 Mar 09  | Tyco Electronics Tyco Electronics Corporation Kunshan, Jiangsu, PRC 215312 |  |
| DIMENSIONS: MM                         |  | CHK ANSON MA 11 Mar 09  | NAME TNC BULKHEAD SOCKET FRONT MOUNT 50 & 75 OHM                           |  |
| TOLERANCES UNLESS OTHERWISE SPECIFIED: |  | APVD BOB ZHAO 11 Mar 09 | SIZE CAGE CODE DRAWING NO RESTRICTED TO                                    |  |
| 0 PLC ± -                              |  | PRODUCT SPEC 108-112000 | A3 00779 C-1814804   |  |
| 1 PLC ± -                              |  | APPLICATION SPEC -      | SCALE NTS SHEET 1 OF 1 REV B   |  |
| 2 PLC ± -                              |  | WEIGHT -                |  |  |
| 3 PLC ± -                              |  | CUSTOMER DRAWING        |  |  |
| 4 PLC ± -                              |  |                         |  |  |
| ANGLES ± -                             |  |                         |  |  |
| FINISH -                               |  |                         |  |  |
| MATERIAL SEE TABLE                     |  |                         |  |  |