

MEMORY Mobile FCRAM™

CMOS

32M Bit (2 M word x 16 bit)

Mobile Phone Application Specific Memory

MB82DP02183C-65L

CMOS 2,097,152-WORD x 16 BIT
Fast Cycle Random Access Memory
with Low Power SRAM Interface

■ DESCRIPTION

The Fujitsu MB82DP02183C is a CMOS Fast Cycle Random Access Memory (FCRAM) with asynchronous Static Random Access Memory (SRAM) interface containing 33,554,432 storages accessible in a 16-bit format. This MB82DP02183C is suited for mobile applications such as Cellular Handset and PDA.

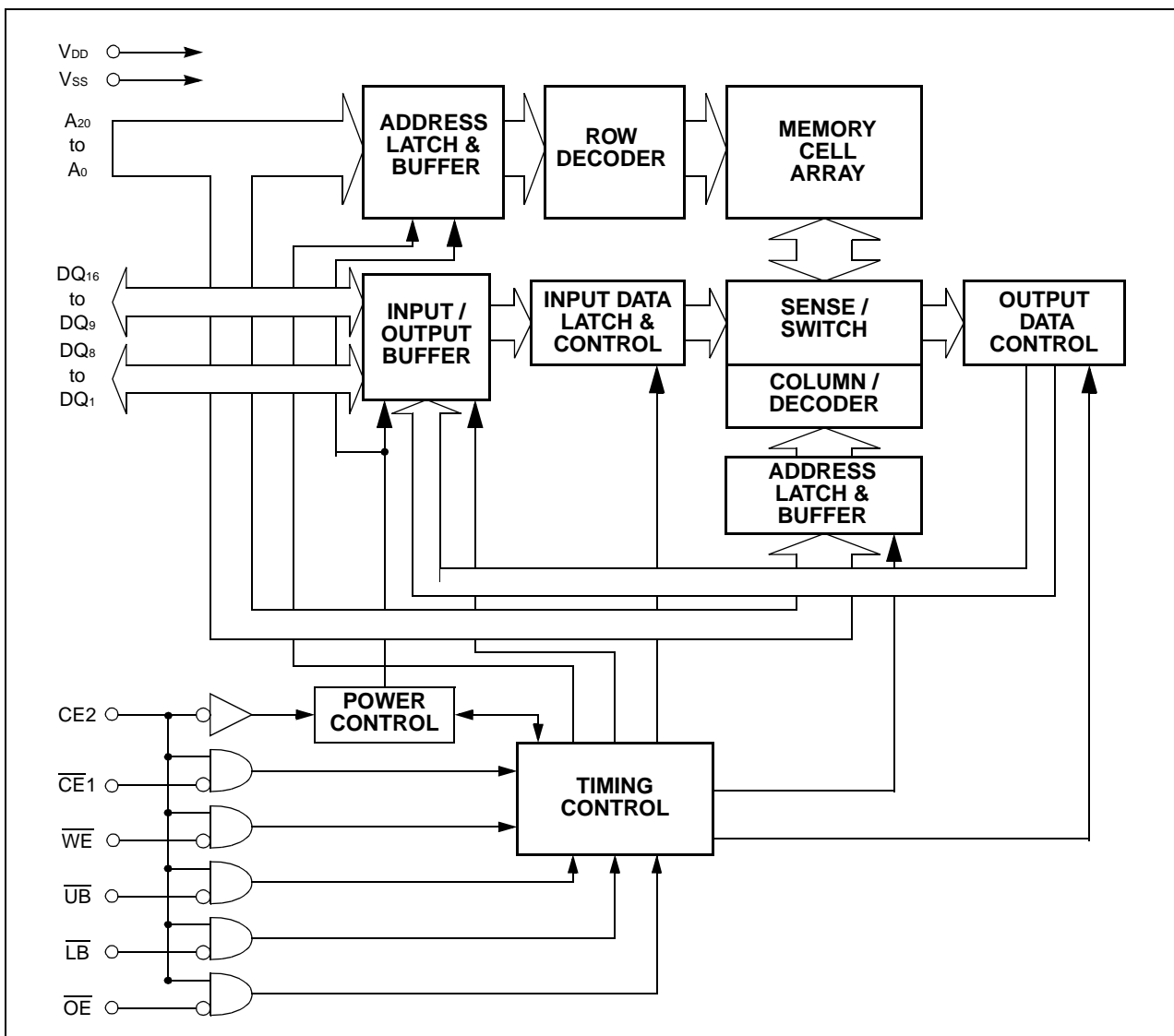
■ FEATURES

- Asynchronous SRAM Interface
- Fast Access Time
 $t_{CE} = t_{AA} = 65\text{ns max}$
- 8 words Page Access Capability
 $t_{PAA} = 20\text{ns max}$
- Low Voltage Operating Condition
 $V_{DD} = +2.6\text{V to } +3.1\text{V or } +3.1\text{V to } +3.5\text{V}$
- Wide Operating Temperature
 $T_A = -30^\circ\text{C to } +85^\circ\text{C}$
- Byte Control by $\overline{\text{LB}}$ and $\overline{\text{UB}}$
- Low Power Consumption
 $I_{DDA1} = 30\text{mA max}$
 $I_{DD S1} = 80\mu\text{A max}$
- Various Power Down mode
Sleep
4M-bit Partial
8M-bit Partial

■ PIN DESCRIPTION

Pin Name	Description
A ₂₀ to A ₀	Address Input
$\overline{CE1}$	Chip Enable (Low Active)
CE2	Chip Enable (High Active)
\overline{WE}	Write Enable (Low Active)
\overline{OE}	Output Enable (Low Active)
\overline{UB}	Upper Byte Control (Low Active)
\overline{LB}	Lower Byte Control (Low Active)
DQ ₁₆₋₉	Upper Byte Data Input/Output
DQ ₈₋₁	Lower Byte Data Input/Output
V _{DD}	Power Supply
V _{SS}	Ground

■ BLOCK DIAGRAM



■ FUNCTION TRUTH TABLE

Mode	Note	CE2	$\overline{\text{CE1}}$	$\overline{\text{WE}}$	$\overline{\text{OE}}$	$\overline{\text{LB}}$	$\overline{\text{UB}}$	A20-0	DQ8-1	DQ16-9
Standby (Deselect)		H	H	X	X	X	X	X	High-Z	High-Z
Output Disable	*1	H	L	H	H	X	X	*3	High-Z	High-Z
Output Disable (No Read)				H	L	H	H	Valid	High-Z	High-Z
Read (Upper Byte)						H	L	Valid	High-Z	Output Valid
Read (Lower Byte)						L	H	Valid	Output Valid	High-Z
Read (Word)						L	L	Valid	Output Valid	Output Valid
No Write				L	H ^{*4}	H	H	Valid	Invalid	Invalid
Write (Upper Byte)						H	L	Valid	Invalid	Input Valid
Write (Lower Byte)						L	H	Valid	Input Valid	Invalid
Write (Word)						L	L	Valid	Input Valid	Input Valid
Power Down	*2			L	X	X	X	X	X	X

Notes L = V_{IL} , H = V_{IH} , X can be either V_{IL} or V_{IH} , High-Z = High Impedance

- *1: Should not be kept this logic condition longer than 1 μ s.
Please contact local FUJITSU representative for the relaxation of 1 μ s limitation.
- *2: Power Down mode can be entered from Standby state and all DQ pins are in High-Z state.
Data retention depends on the selection of Power Down Program.
Refer to POWER DOWN for the detail.
- *3: Can be either V_{IL} or V_{IH} but must be valid before Read or Write.
- *4: $\overline{\text{OE}}$ can be V_{IL} during Write operation if the following conditions are satisfied;
 - (1) Write pulse is initiated by CE1 (refer to CE1 Controlled Write timing), or cycle time of the previous operation cycle is satisfied.
 - (2) $\overline{\text{OE}}$ stays V_{IL} during Write cycle.

■ POWER DOWN

Power Down

The Power Down is low power idle state controlled by CE2. CE2 Low drives the device in power down mode and maintains low power idle state as long as CE2 is kept Low. CE2 High resumes the device from power down mode.

This device has three power down mode, Sleep, 4M Partial and 8M Partial.

These can be programmed by series of read/write operation. Each mode has following features.

Mode	Data Retention	Retention Address
Sleep (default)	No	N/A
4M Partial	4M bit	00000h to 3FFFFh
8M Partial	8M bit	00000h to 7FFFFh

The default state is Sleep and it is the lowest power consumption but all data will be lost once CE2 is brought to Low for Power Down. It is not required to program to Sleep mode after power-up.

Power Down Program Sequence

The program requires total 6 read/write operation with unique address. Between each read/write operation requires that device be in standby mode. Following table shows the detail sequence.

Cycle #	Operation	Address	Data
1st	Read	1FFFFFFh (MSB)	Read Data (RDa)
2nd	Write	1FFFFFFh	RDa
3rd	Write	1FFFFFFh	RDa
4th	Write	1FFFFFFh	Don't Care (X)
5th	Write	1FFFFFFh	X
6th	Read	Address Key	Read Data (RDb)

The first cycle is to read from most significant address (MSB).

The second and third cycle are to write back the data (RDa) read by first cycle. If the second or third cycle is written into the different address, the program is cancelled and the data written by the second or third cycle is valid as a normal write operation.

The fourth and fifth cycle is to write to MSB. The data of fourth and fifth cycle is don't-care. If the fourth or fifth cycle is written into different address, the program is also cancelled but write data may not be wrote as normal write operation.

The last cycle is to read from specific address key for mode selection.

Once this program sequence is performed from a Partial mode to the other Partial mode, the written data stored in memory cell array may be lost. So, it should perform this program prior to regular read/write operation if Partial mode is used.

Address Key

The address key has following format.

Mode	Address			
	A20	A19	A18 - A0	Binary
Sleep (default)	1	1	1	1FFFFFFh
4M Partial	1	0	1	17FFFFFFh
8M Partial	0	1	1	0FFFFFFh

■ ABSOLUTE MAXIMUM RATINGS (See WARNING below.)

Parameter	Symbol	Value	Unit
Voltage of V _{DD} Supply Relative to V _{SS}	V _{DD}	-0.5 to +3.6	V
Voltage at Any Pin Relative to V _{SS}	V _{IN} , V _{OUT}	-0.5 to +3.6	V
Short Circuit Output Current	I _{OUT}	±50	mA
Storage Temperature	T _{STG}	-55 to +125	°C

WARNING: Semiconductor devices can be permanently damaged by application of stress (voltage, current, temperature, etc.) in excess of absolute maximum ratings. Do not exceed these ratings.

■ RECOMMENDED OPERATING CONDITIONS (See WARNING below.)

(Referenced to V_{SS})

Parameter	Notes	Symbol	Min.	Max.	Unit
Supply Voltage		V _{DD(31)}	3.1	3.5	V
		V _{DD(26)}	2.6	3.1	
		V _{SS}	0	0	V
High Level Input Voltage	*1	V _{IH(31)}	V _{DD} *0.8	V _{DD} +0.2 and ≤+3.6	V
		V _{IH(26)}	V _{DD} *0.8	V _{DD} +0.2	
Low Level Input Voltage	*2	V _{IL}	-0.3	V _{DD} *0.2	V
Ambient Temperature		T _A	-30	85	°C

Notes *1: Maximum DC voltage on input and I/O pins are V_{DD}+0.2V. During voltage transitions, inputs may positive overshoot to V_{DD}+1.0V for periods of up to 5 ns.

*2: Minimum DC voltage on input or I/O pins are -0.3V. During voltage transitions, inputs may negative overshoot V_{SS} to -1.0V for periods of up to 5ns.

WARNING: Recommended operating conditions are normal operating ranges for the semiconductor device. All the device's electrical characteristics are warranted when operated within these ranges.

Always use semiconductor devices within the recommended operating conditions. Operation outside these ranges may adversely affect reliability and could result in device failure.

No warranty is made with respect to uses, operating conditions, or combinations not represented on the data sheet. Users considering application outside the listed conditions are advised to contact their FUJITSU representative beforehand.

■ PACKAGE PIN CAPACITANCE

Test conditions: T_A = 25°C, f = 1.0 MHz

Symbol	Description	Test Setup	Typ.	Max.	Unit
C _{IN1}	Address Input Capacitance	V _{IN} = 0V	—	5	pF
C _{IN2}	Control Input Capacitance	V _{IN} = 0V	—	5	pF
C _{IO}	Data Input/Output Capacitance	V _{IO} = 0V	—	8	pF

■ DC CHARACTERISTICS

(Under Recommended Operating Conditions unless otherwise noted)Note *1,*2,*3

Parameter	Symbol	Test Conditions	Min.	Max.	Unit	
Input Leakage Current	I _{LI}	V _{IN} = V _{SS} to V _{DD}	-1.0	+1.0	μA	
Output Leakage Current	I _{LO}	V _{OUT} = V _{SS} to V _{DD} , Output Disable	-1.0	+1.0	μA	
Output High Voltage Level	V _{OH}	V _{DD} = V _{DD(min)} , I _{OH} = -0.5mA	2.4	—	V	
Output Low Voltage Level	V _{OL}	I _{OL} = 1mA	—	0.4	V	
V _{DD} Power Down Current	I _{DDPS}	V _{DD} = V _{DD(26)} max., V _{IN} = V _{IH} or V _{IL} , CE2 ≤ 0.2V	SLEEP	—	10	μA
	I _{DDP4}		4M Partial	—	40	μA
	I _{DDP8}		8M Partial	—	50	μA
V _{DD} Standby Current	I _{DDS}	V _{DD} = V _{DD(26)} max., V _{IN} = V _{IH} or V _{IL} CE1 = CE2 = V _{IH}	—	1.5	mA	
	I _{DDS1}	V _{DD} = V _{DD(26)} max., V _{IN} ≤ 0.2V or V _{IN} ≥ V _{DD} - 0.2V, CE1 = CE2 ≥ V _{DD} - 0.2V	—	80	μA	
V _{DD} Active Current	I _{DDA1}	V _{DD} = V _{DD(26)} max., V _{IN} = V _{IH} or V _{IL} , CE1 = V _{IL} and CE2 = V _{IH} , I _{OUT} = 0mA	t _{RC} / t _{WC} = minimum	—	30	mA
	I _{DDA2}		t _{RC} / t _{WC} = 1μs	—	3	mA
V _{DD} Page Read Current	I _{DDA3}	V _{DD} = V _{DD(26)} max., V _{IN} = V _{IH} or V _{IL} , CE1 = V _{IL} and CE2 = V _{IH} , I _{OUT} = 0mA, t _{PRC} = min.	—	10	mA	

Notes *1: All voltages are referenced to V_{SS}.

*2: DC Characteristics are measured after following POWER-UP timing.

*3: I_{OUT} depends on the output load conditions.

■ AC CHARACTERISTICS

(Under Recommended Operating Conditions unless otherwise noted)

READ OPERATION

Parameter	Symbol	Value		Unit	Notes
		Min.	Max.		
Read Cycle Time	t_{RC}	65	1000	ns	*1, *2
$\overline{CE1}$ Access Time	t_{CE}	—	65	ns	*3
\overline{OE} Access Time	t_{OE}	—	40	ns	*3
Address Access Time	t_{AA}	—	65	ns	*3, *5
\overline{LB} / \overline{UB} Access Time	t_{BA}	—	30	ns	*3
Page Address Access Time	t_{PAA}	—	20	ns	*3, *6
Page Read Cycle Time	t_{PRC}	20	1000	ns	*1, *6, *7
Output Data Hold Time	t_{OH}	5	—	ns	*3
$\overline{CE1}$ Low to Output Low-Z	t_{CLZ}	5	—	ns	*4
\overline{OE} Low to Output Low-Z	t_{OLZ}	0	—	ns	*4
\overline{LB} / \overline{UB} Low to Output Low-Z	t_{BLZ}	0	—	ns	*4
$\overline{CE1}$ High to Output High-Z	t_{CHZ}	—	20	ns	*3
\overline{OE} High to Output High-Z	t_{OHZ}	—	15	ns	*3
\overline{LB} / \overline{UB} High to Output High-Z	t_{BHZ}	—	20	ns	*3
Address Setup Time to $\overline{CE1}$ Low	t_{ASC}	-5	—	ns	
Address Setup Time to \overline{OE} Low	t_{ASO}	10	—	ns	
Address Invalid Time	t_{AX}	—	10	ns	*5, *8
Address Hold Time from $\overline{CE1}$ High	t_{CHAH}	-6	—	ns	*9
Address Hold Time from \overline{OE} High	t_{OHAH}	-6	—	ns	
\overline{WE} High to \overline{OE} Low Time for Read	t_{WHOL}	12	1000	ns	*10
$\overline{CE1}$ High Pulse Width	t_{CP}	12	—	ns	

- Notes**
- *1: Maximum value is applicable if $\overline{CE1}$ is kept at Low without change of address input of A3 to A20. If needed by system operation, please contact local FUJITSU representative for the relaxation of 1 μ s limitation.
 - *2: Address should not be changed within minimum t_{RC} .
 - *3: The output load 50pF.
 - *4: The output load 5pF.
 - *5: Applicable to A3 to A20 when $\overline{CE1}$ is kept at Low.
 - *6: Applicable only to A0, A1 and A2 when $\overline{CE1}$ is kept at Low for the page address access.
 - *7: In case Page Read Cycle is continued with keeping $\overline{CE1}$ stays Low, $\overline{CE1}$ must be brought to High within 4 μ s. In other words, Page Read Cycle must be closed within 4 μ s.
 - *8: Applicable when at least two of address inputs among applicable are switched from previous state.
 - *9: $t_{RC}(\text{min})$ and $t_{PRC}(\text{min})$ must be satisfied.
 - *10: If actual value of t_{WHOL} is shorter than specified minimum values, the actual t_{AA} of following Read may become longer by the amount of subtracting actual value from specified minimum value.

■ AC CHARACTERISTICS (Continued)

WRITE OPERATION

Parameter	Symbol	Value		Unit	Notes
		Min.	Max.		
Write Cycle Time	t_{WC}	65	1000	ns	*1, *2
Address Setup Time	t_{AS}	0	—	ns	*3
$\overline{CE1}$ Write Pulse Width	t_{CW}	40	—	ns	*3
\overline{WE} Write Pulse Width	t_{WP}	40	—	ns	*3
$\overline{LB} / \overline{UB}$ Write Pulse Width	t_{BW}	40	—	ns	*3
$\overline{LB} / \overline{UB}$ Byte Mask Setup Time	t_{BS}	-5	—	ns	*4
$\overline{LB} / \overline{UB}$ Byte Mask Hold Time	t_{BH}	-5	—	ns	*5
Write Recovery Time	t_{WR}	0	—	ns	*6
$\overline{CE1}$ High Pulse Width	t_{CP}	12	—	ns	
\overline{WE} High Pulse Width	t_{WHP}	12	1000	ns	
$\overline{LB} / \overline{UB}$ High Pulse Width	t_{BHP}	12	1000	ns	
Data Setup Time	t_{DS}	12	—	ns	
Data Hold Time	t_{DH}	0	—	ns	
\overline{OE} High to $\overline{CE1}$ Low Setup Time for Write	t_{OHCL}	-5	—	ns	*7
\overline{OE} High to Address Setup Time for Write	t_{OES}	0	—	ns	*8
\overline{LB} and \overline{UB} Write Pulse Overlap	t_{BWO}	30	—	ns	

- Notes**
- *1: Maximum value is applicable if $\overline{CE1}$ is kept at Low without any address change. If the relaxation is needed by system operation, please contact local FUJITSU representative for the relaxation of 1 μ s limitation.
 - *2: Minimum value must be equal or greater than the sum of write pulse (t_{CW} , t_{WP} or t_{BW}) and write recovery time (t_{WRC} , t_{WR} or t_{BR}).
 - *3: Write pulse is defined from High to Low transition of $\overline{CE1}$, \overline{WE} , or $\overline{LB} / \overline{UB}$, whichever occurs last.
 - *4: Applicable for byte mask only. Byte mask setup time is defined to the High to Low transition of $\overline{CE1}$ or \overline{WE} whichever occurs last.
 - *5: Applicable for byte mask only. Byte mask hold time is defined from the Low to High transition of $\overline{CE1}$ or \overline{WE} whichever occurs first.
 - *6: Write recovery is defined from Low to High transition of $\overline{CE1}$, \overline{WE} , or $\overline{LB} / \overline{UB}$, whichever occurs first.
 - *7: If \overline{OE} is Low after minimum t_{OHCL} , read cycle is initiated. In other word, \overline{OE} must be brought to High within 5ns after $\overline{CE1}$ is brought to Low. Once read cycle is initiated, new write pulse should be input after minimum t_{RC} is met.
 - *8: If \overline{OE} is Low after new address input, read cycle is initiated. In other word, \overline{OE} must be brought to High at the same time or before new address valid. Once read cycle is initiated, new write pulse should be input after minimum t_{RC} is met and data bus is in High-Z.

■ AC CHARACTERISTICS (Continued)

POWER DOWN PARAMETERS

Parameter	Symbol	Value		Unit	Note
		Min.	Max.		
CE2 Low Setup Time for Power Down Entry	t _{CSP}	10	—	ns	
CE2 Low Hold Time after Power Down Entry	t _{C2LP}	65	—	ns	
$\overline{\text{CE1}}$ High Hold Time following CE2 High after Power Down Exit [SLEEP mode only]	t _{CHH}	300	—	μs	*1
$\overline{\text{CE1}}$ High Hold Time following CE2 High after Power Down Exit [not in SLEEP mode]	t _{CHHP}	1	—	μs	*2
$\overline{\text{CE1}}$ High Setup Time following CE2 High after Power Down Exit	t _{CHS}	0	—	ns	*1

Notes *1: Applicable also to power-up.

*2: Applicable when 4M and 8M Partial mode is programmed.

OTHER TIMING PARAMETERS

Parameter	Symbol	Value		Unit	Note
		Min.	Max.		
$\overline{\text{CE1}}$ High to $\overline{\text{OE}}$ Invalid Time for Standby Entry	t _{CHOX}	10	—	ns	
$\overline{\text{CE1}}$ High to $\overline{\text{WE}}$ Invalid Time for Standby Entry	t _{CHWX}	10	—	ns	*1
CE2 Low Hold Time after Power-up	t _{C2LH}	50	—	μs	
$\overline{\text{CE1}}$ High Hold Time following CE2 High after Power-up	t _{CHH}	300	—	μs	
Input Transition Time	t _r	1	25	ns	*2

Notes *1: Some data might be written into any address location if t_{CHWX}(min) is not satisfied.

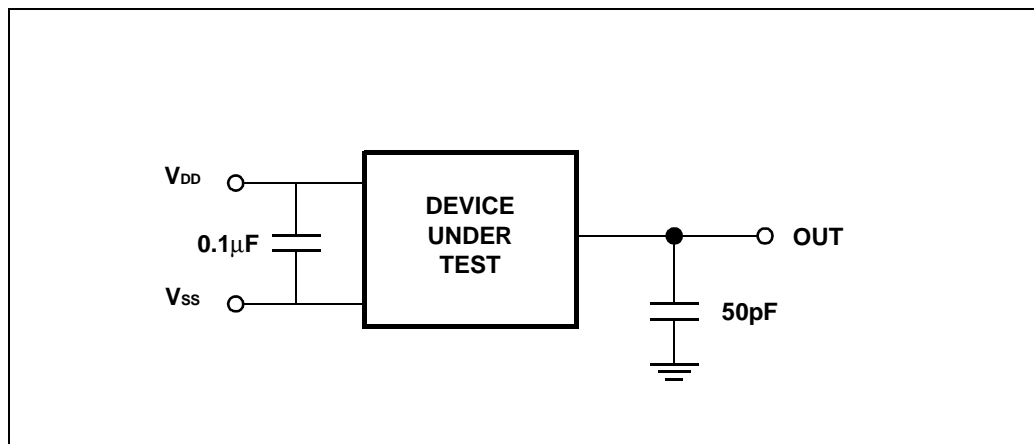
*2: The Input Transition Time (t_r) at AC testing is 5ns as shown in below. If actual t_r is longer than 5ns, it may violate AC specification of some timing parameters.

■ **AC CHARACTERISTICS (Continued)**

AC TEST CONDITIONS

Symbol	Description	Test Setup	Value	Unit	Note
V_{IH}	Input High Level		$V_{DD} * 0.8$	V	
V_{IL}	Input Low Level		$V_{DD} * 0.2$	V	
V_{REF}	Input Timing Measurement Level		$V_{DD} * 0.5$	V	
t_T	Input Transition Time	Between V_{IL} and V_{IH}	5	ns	

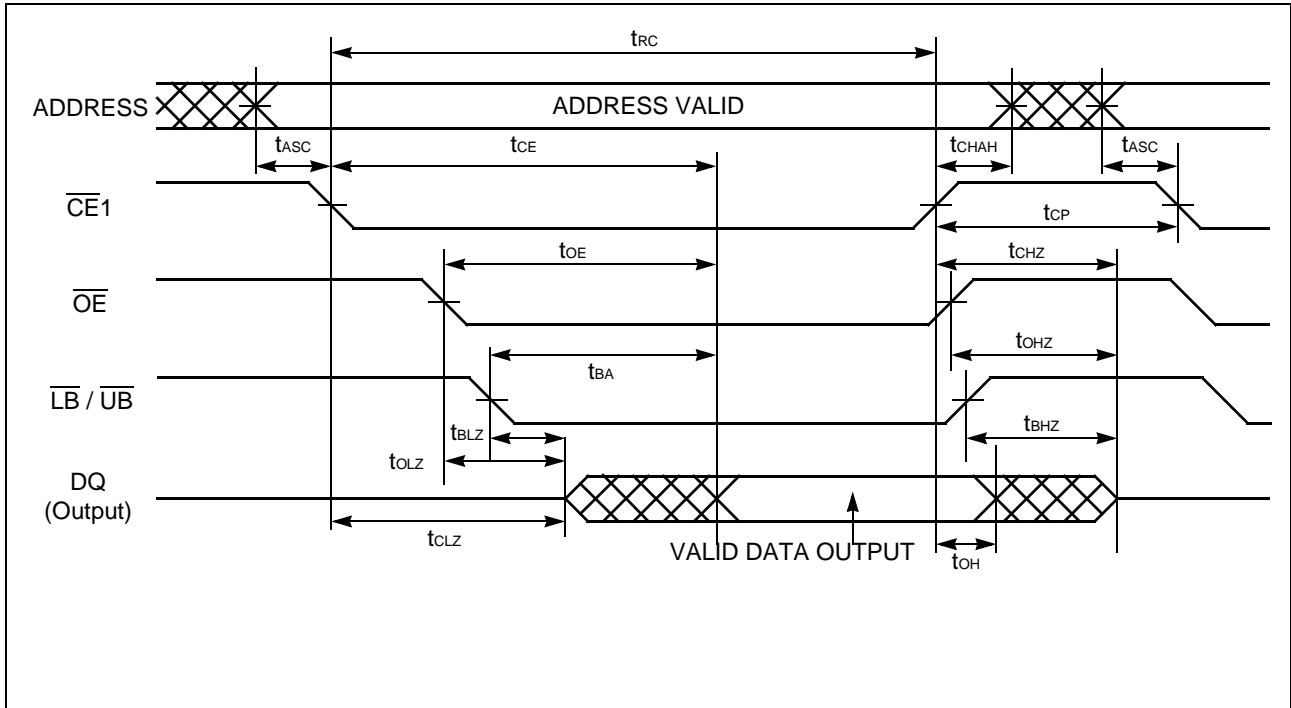
AC MEASUREMENT OUTPUT LOAD CIRCUIT



■ TIMING DIAGRAMS

READ Timing #1 (Basic Timing)

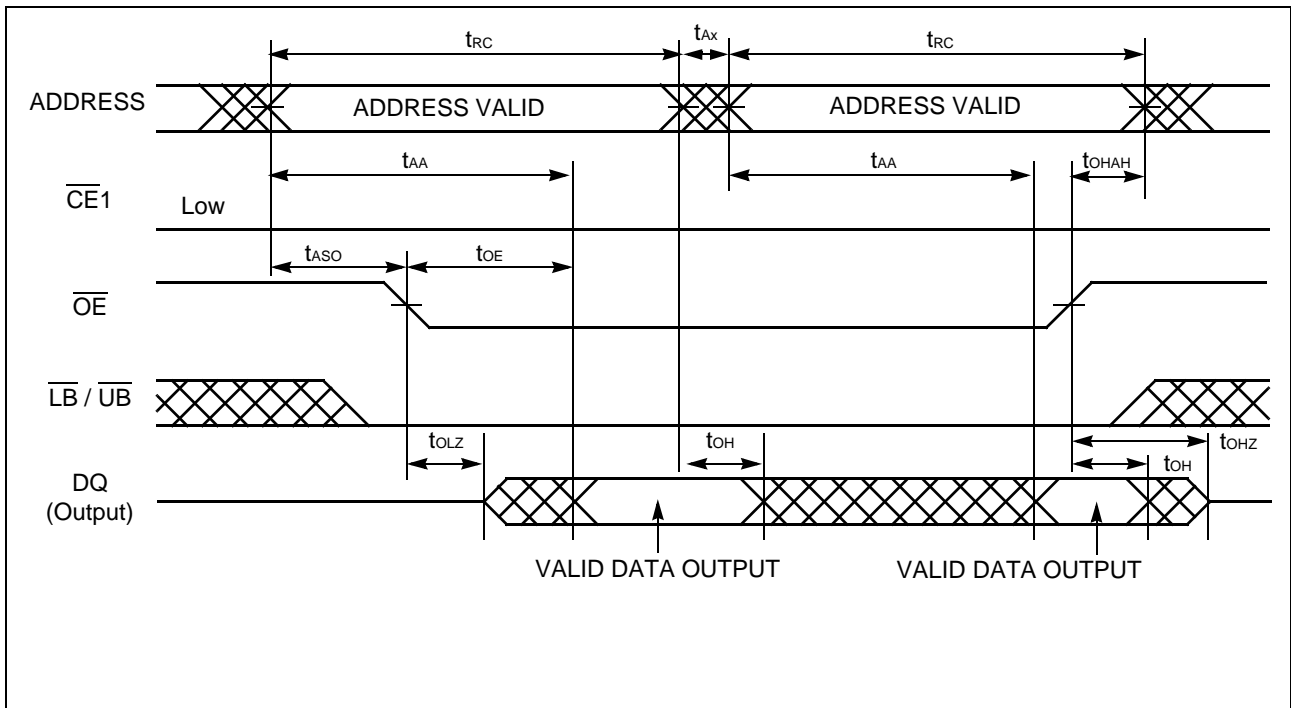
See Note.



Note: This timing diagram assumes $CE2=H$ and $\overline{WE}=H$.

READ Timing #2 (\overline{OE} & Address Access)

See Note.

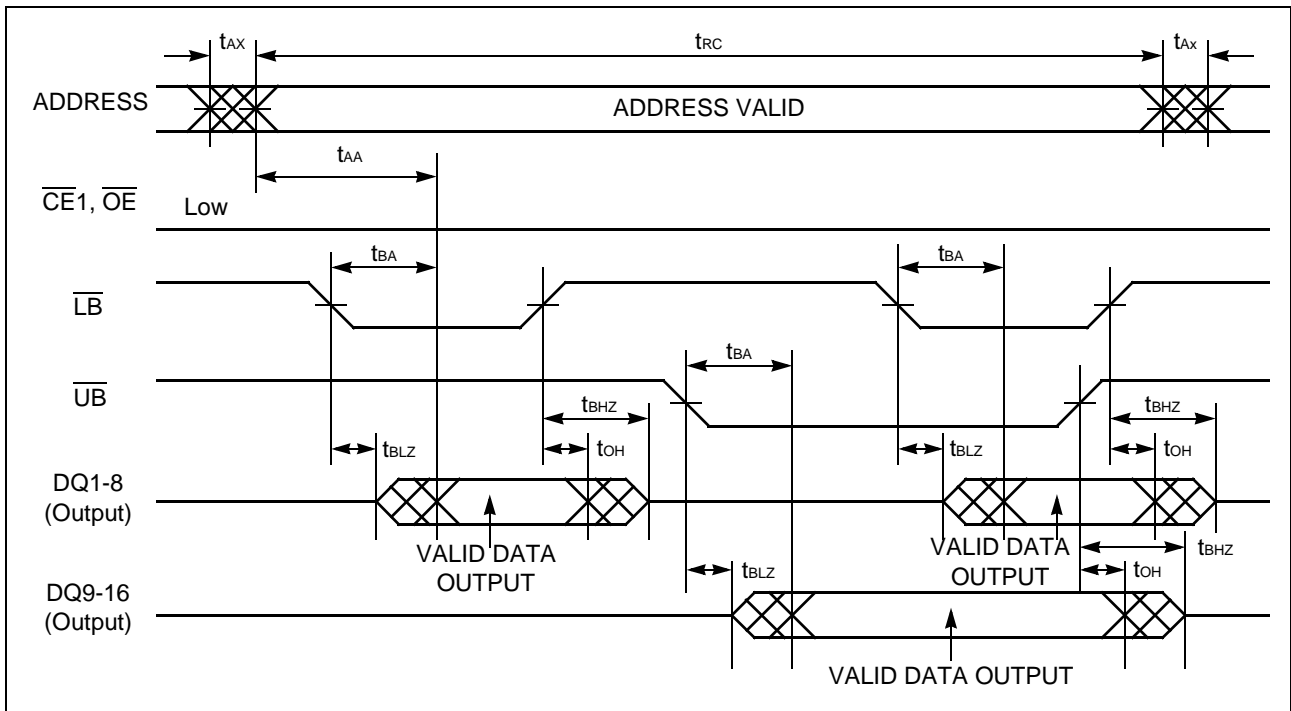


Notes: This timing diagram assumes $CE2=H$ and $\overline{WE}=H$.

■ TIMING DIAGRAMS (Continued)

READ Timing #3 ($\overline{\text{LB}} / \overline{\text{UB}}$ Byte Access)

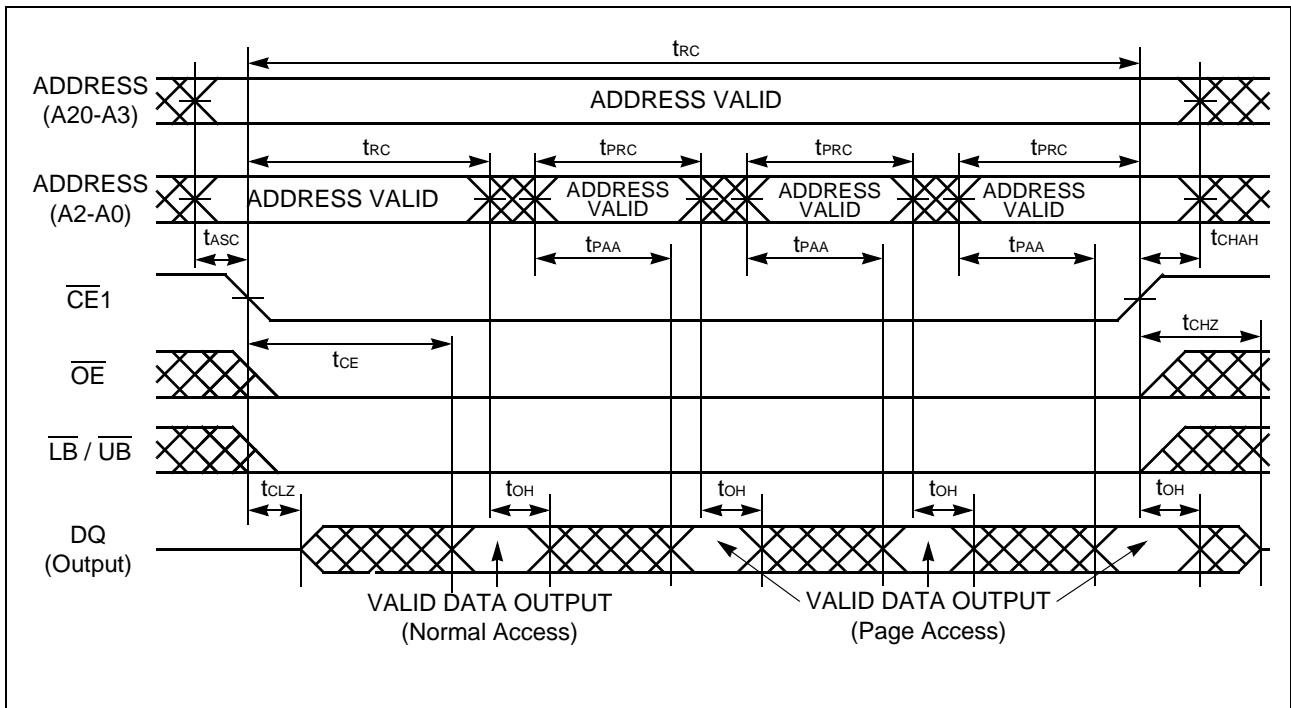
See Note.



Note: This timing diagram assumes $\text{CE2}=\text{H}$ and $\overline{\text{WE}}=\text{H}$.

READ Timing #4 (Page Address Access after $\overline{\text{CE1}}$ Control Access)

See Note.

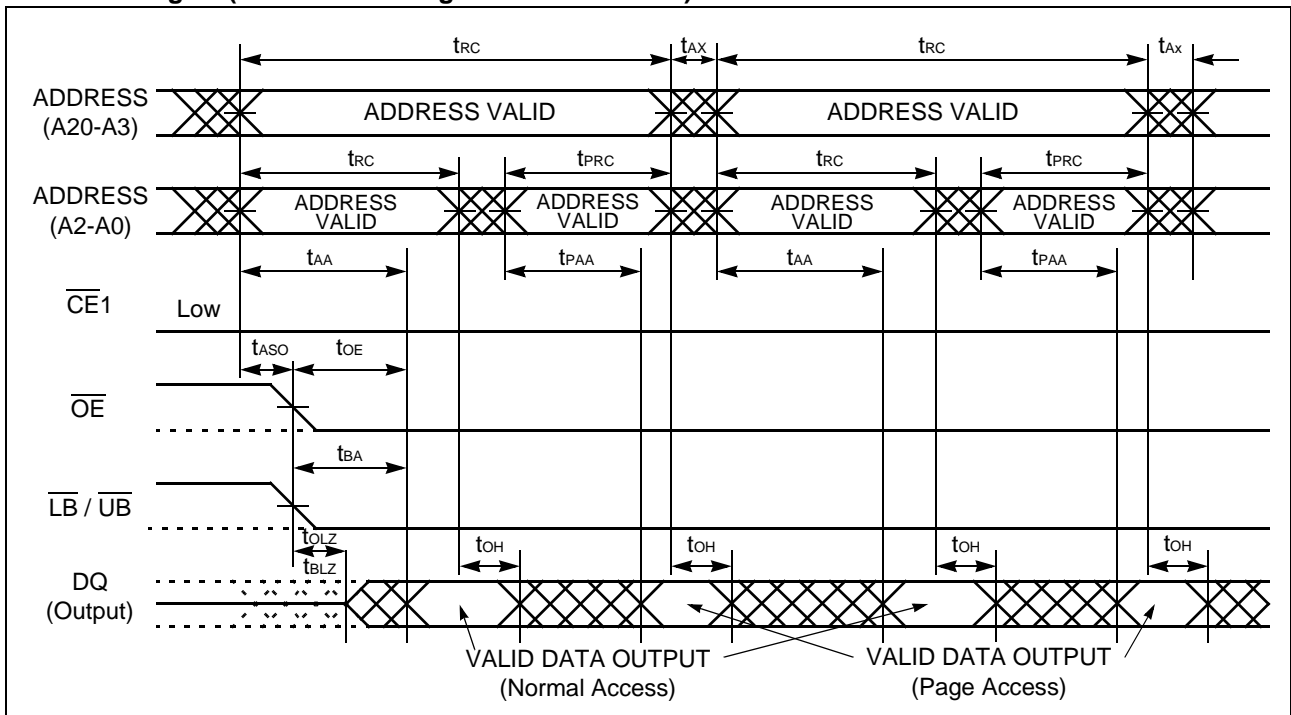


Notes: This timing diagram assumes $\text{CE2}=\text{H}$ and $\overline{\text{WE}}=\text{H}$.

■ TIMING DIAGRAMS (Continued)

READ Timing #5 (Random and Page Address Access)

See Note.

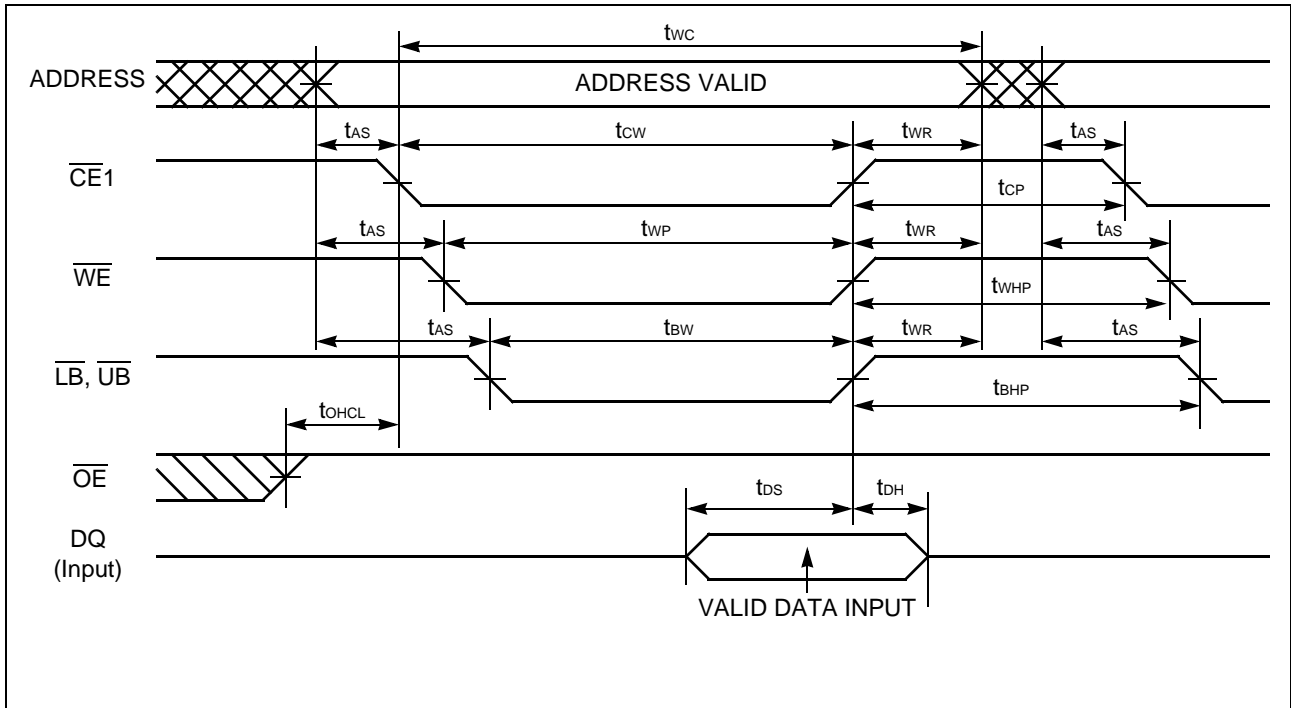


- Notes**
- *1: This timing diagram assumes $\overline{CE2}=H$ and $\overline{WE}=H$.
 - *2: Either or both \overline{LB} and \overline{UB} must be Low when both $\overline{CE1}$ and \overline{OE} are Low.

■ TIMING DIAGRAMS (Continued)

WRITE Timing #1 (Basic Timing)

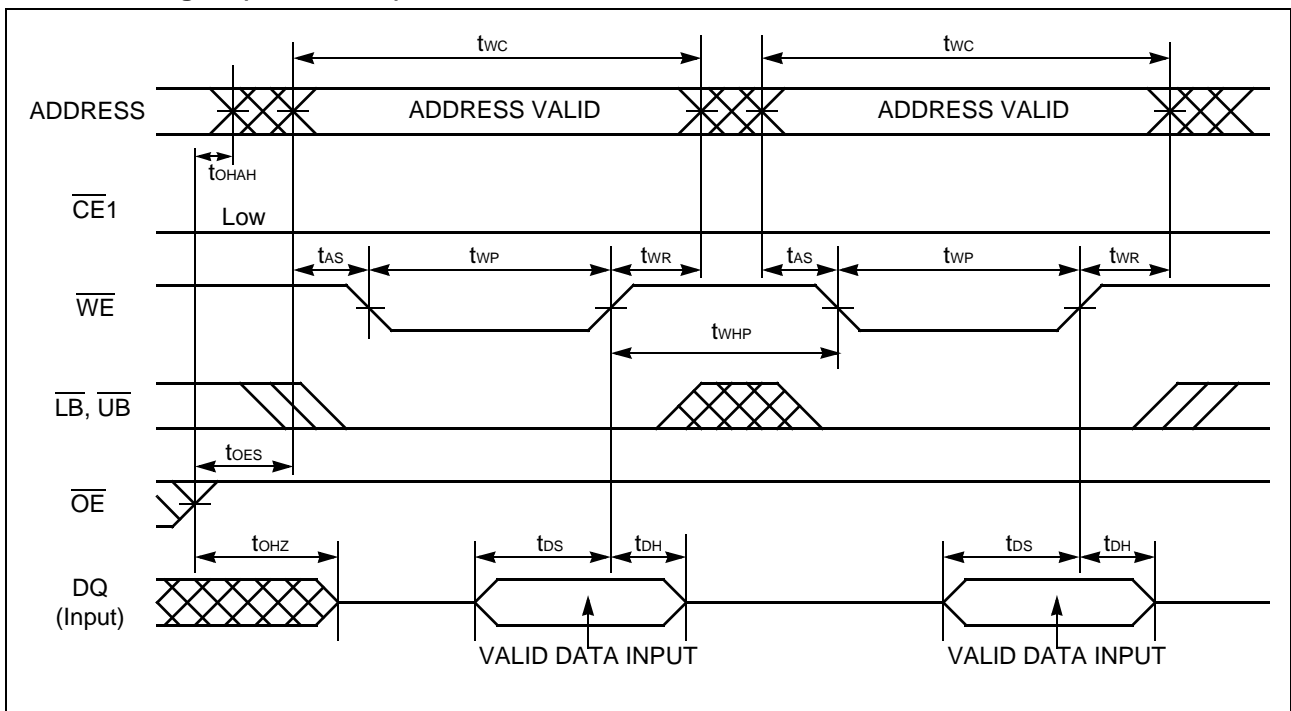
See Note.



Notes: This timing diagram assumes $CE2=H$.

WRITE Timing #2 (\overline{WE} Control)

See Note.

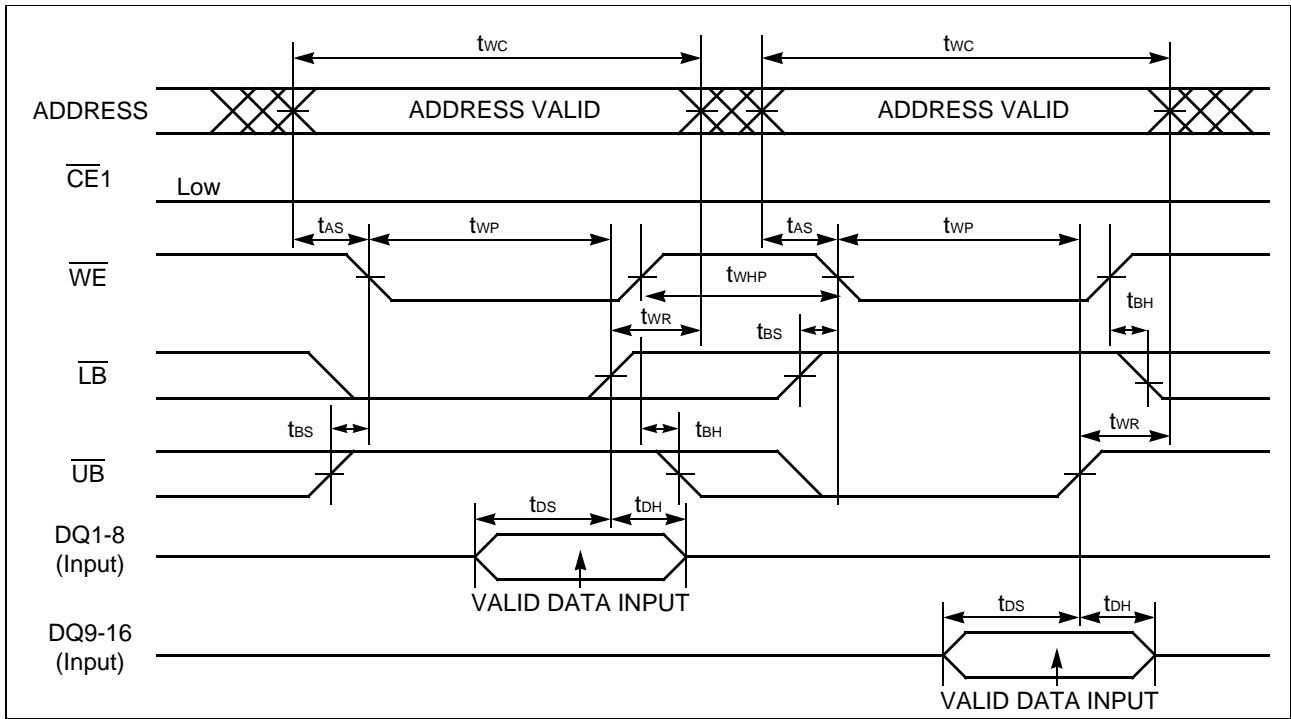


Note: This timing diagram assumes $CE2=H$.

■ TIMING DIAGRAMS (Continued)

WRITE Timing #3-1 (\overline{WE} / \overline{LB} / \overline{UB} Byte Write Control)

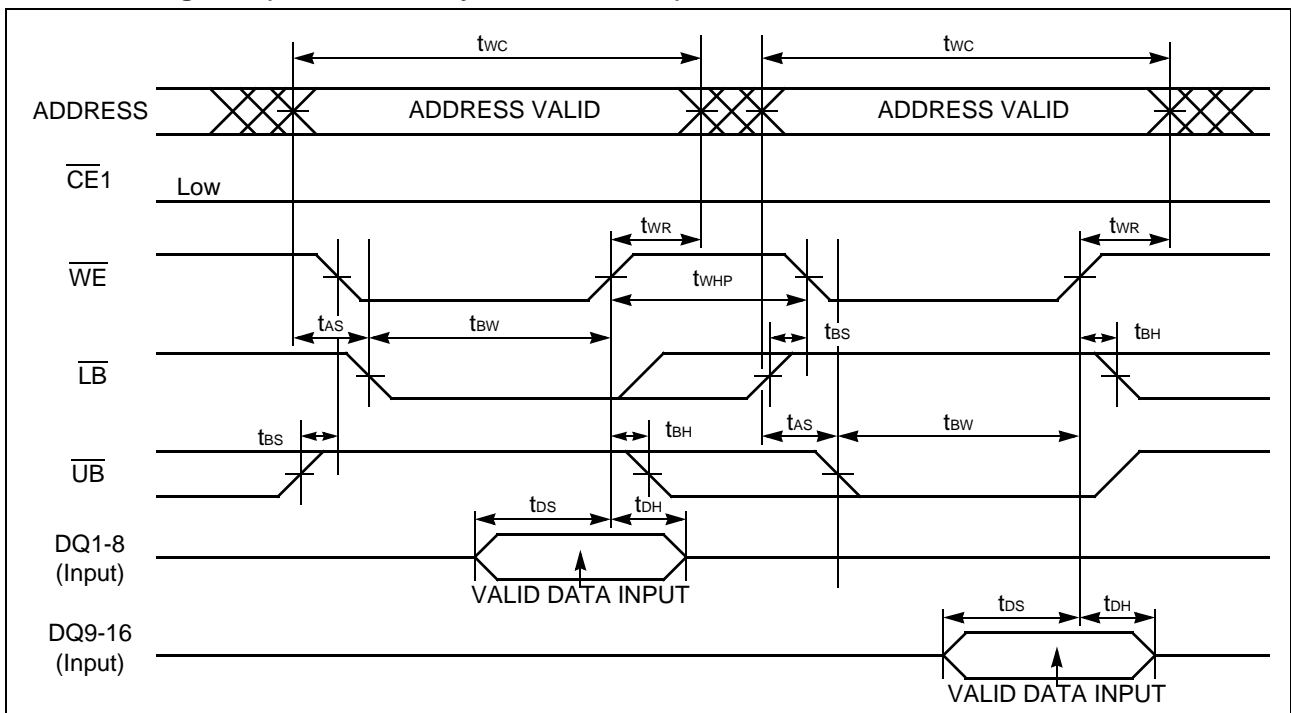
See Note.



Note: This timing diagram assumes $CE2=H$ and $\overline{OE}=H$.

WRITE Timing #3-2 (\overline{WE} / \overline{LB} / \overline{UB} Byte Write Control)

See Note.

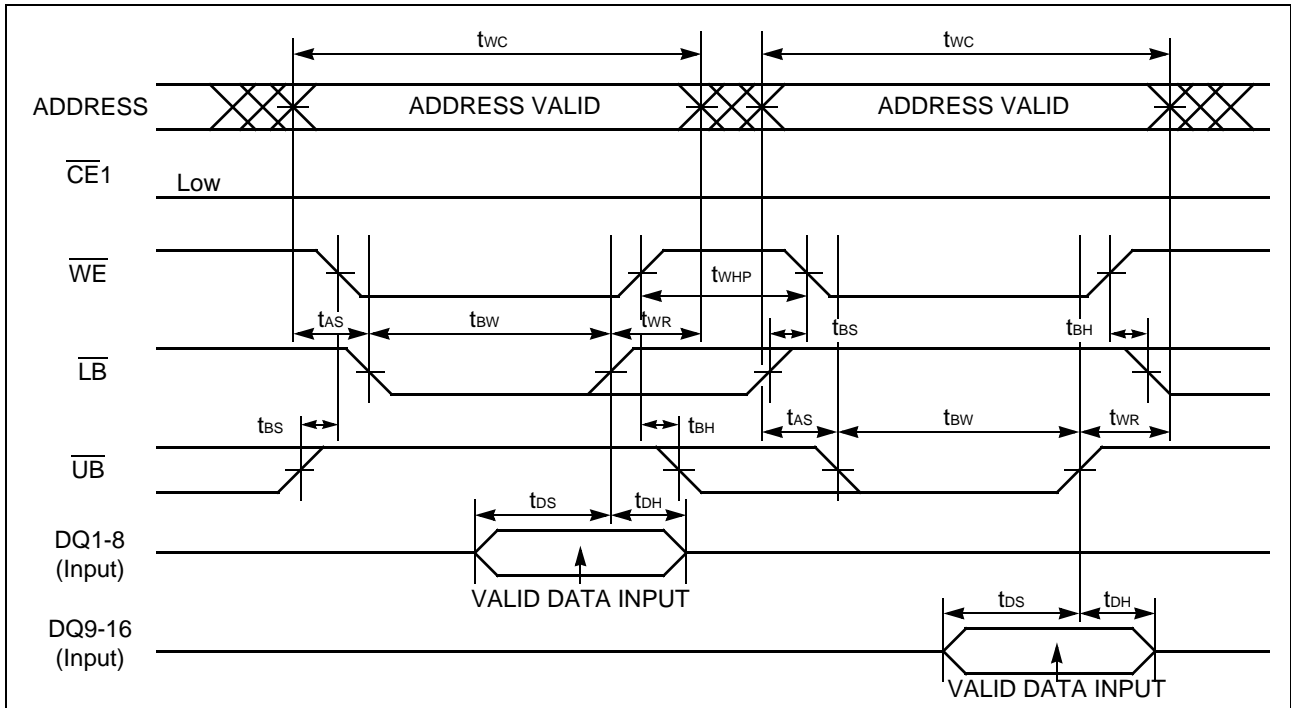


Note: This timing diagram assumes $CE2=H$ and $\overline{OE}=H$.

■ TIMING DIAGRAMS (Continued)

WRITE Timing #3-3 (\overline{WE} / \overline{LB} / \overline{UB} Byte Write Control)

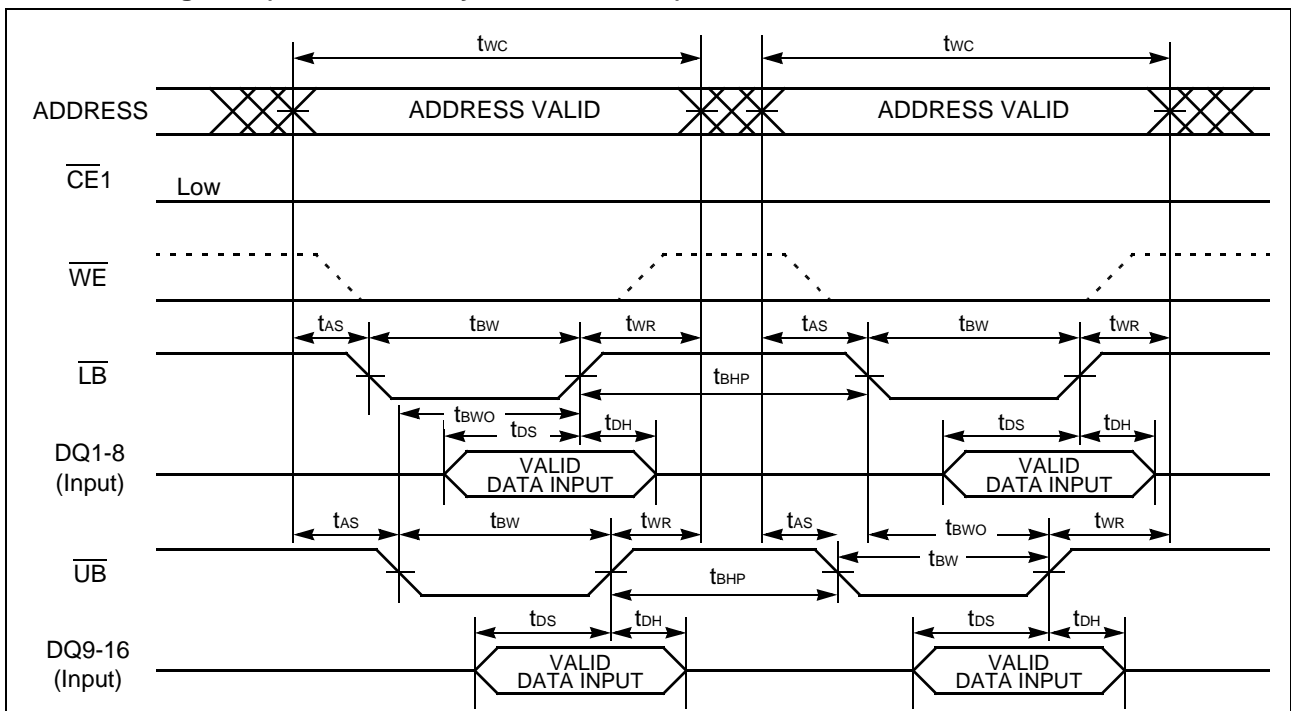
See Note.



Note: This timing diagram assumes $CE2=H$ and $\overline{OE}=H$.

WRITE Timing #3-4 (\overline{WE} / \overline{LB} / \overline{UB} Byte Write Control)

See Note.

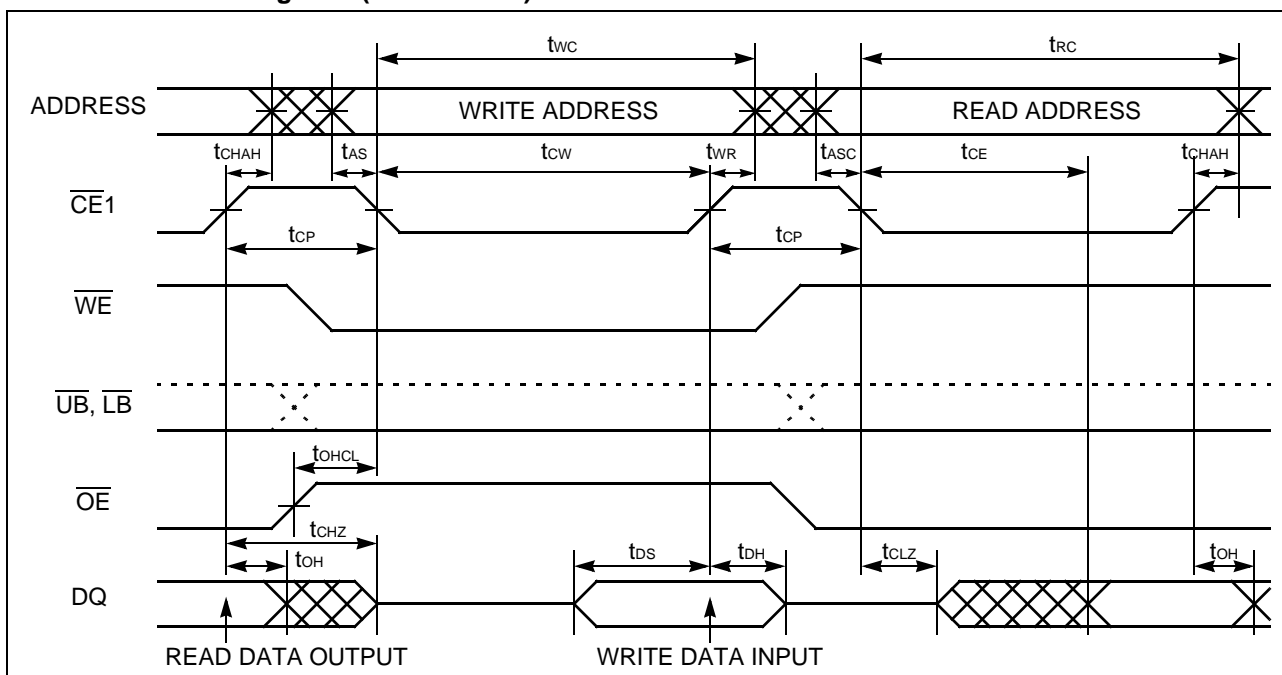


Note: This timing diagram assumes $CE2=H$ and $\overline{OE}=H$.

■ TIMING DIAGRAMS (Continued)

READ / WRITE Timing #1-1 ($\overline{CE1}$ Control)

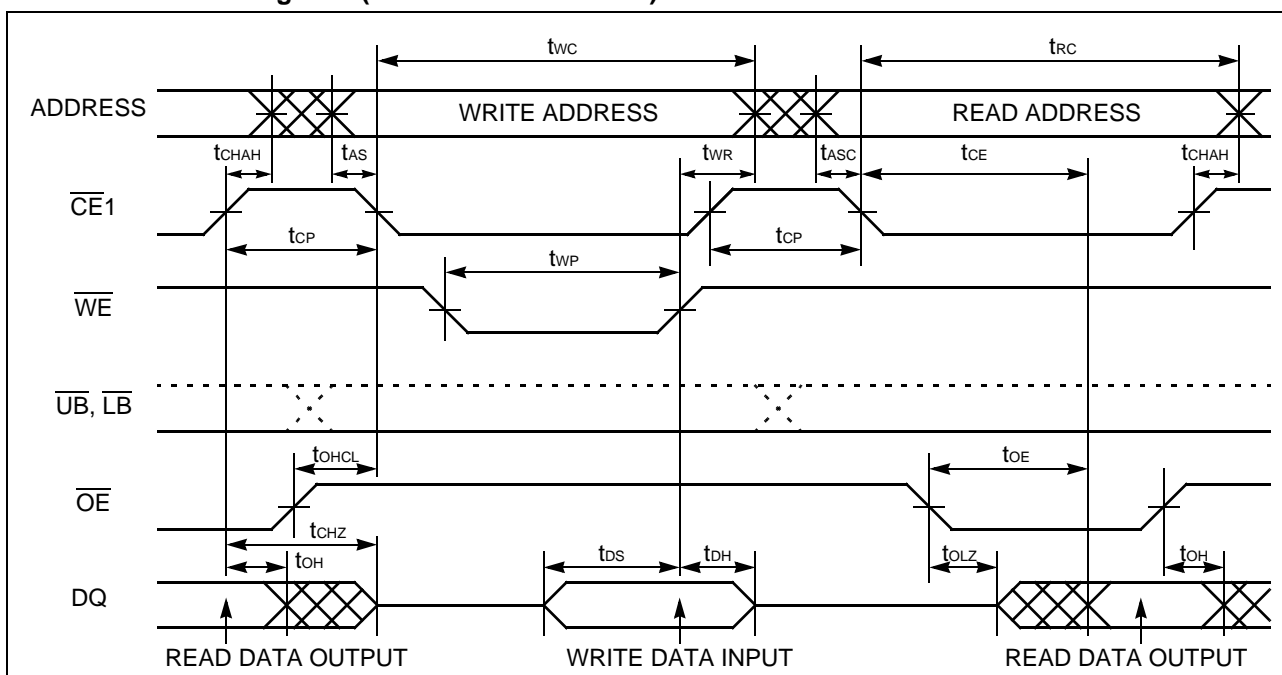
See Note.



- Notes** *1: This timing diagram assumes $CE2=H$.
 *2: Write address is valid from either $CE1$ or \overline{WE} of last falling edge.

READ / WRITE Timing #1-2 ($\overline{CE1} / \overline{WE} / \overline{OE}$ Control)

See Note.

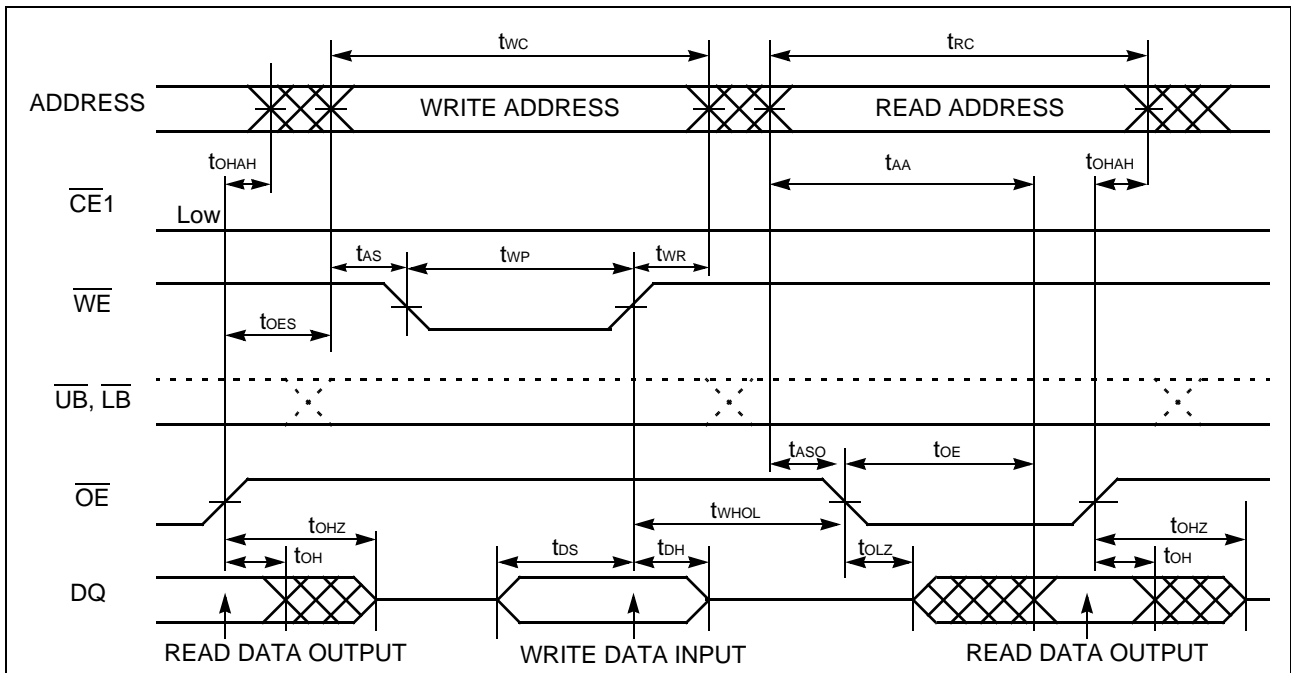


- Notes** *1: This timing diagram assumes $CE2=H$.
 *2: \overline{OE} can be fixed Low during write operation if it is $\overline{CE1}$ controlled write at Read-Write-Read sequence.

■ TIMING DIAGRAMS (Continued)

READ / WRITE Timing #2 (\overline{OE} , \overline{WE} Control)

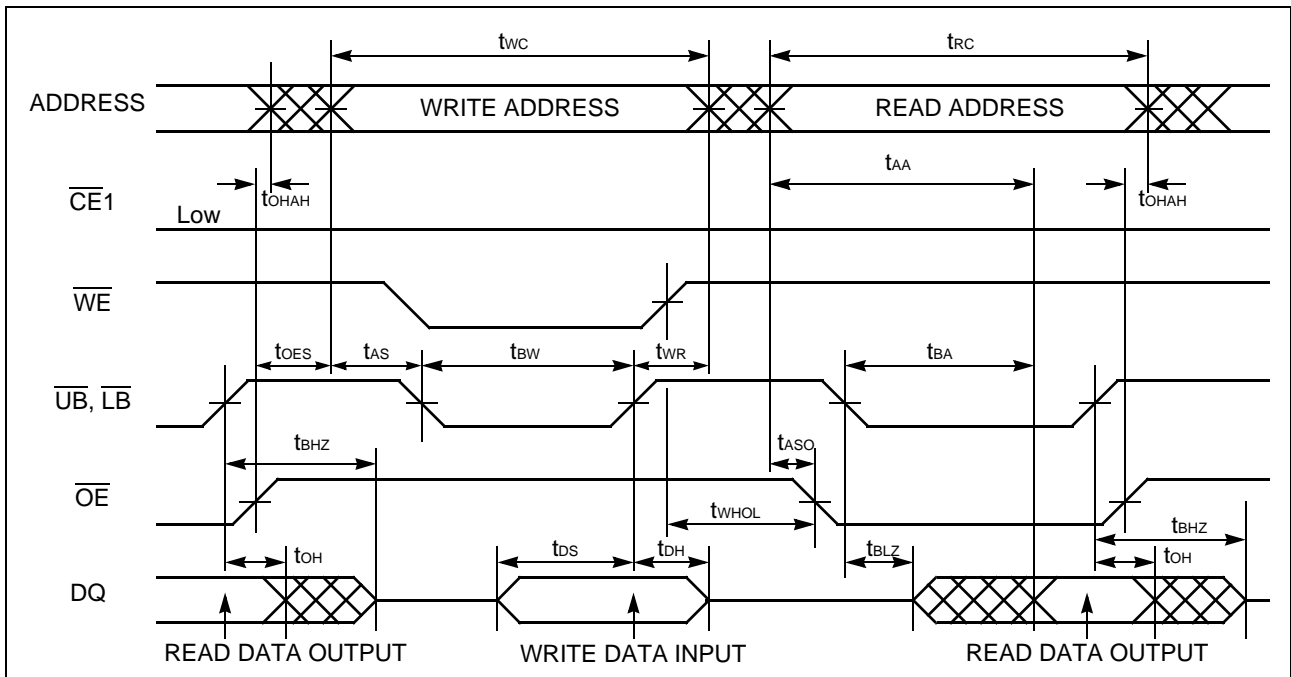
See Note.



- Notes *1: This timing diagram assumes $\overline{CE2} = H$.
- *2: $\overline{CE1}$ can be tied to Low for \overline{WE} and \overline{OE} controlled operation.

READ / WRITE Timing #3 (\overline{OE} , \overline{WE} , \overline{LB} , \overline{UB} Control)

See Note.

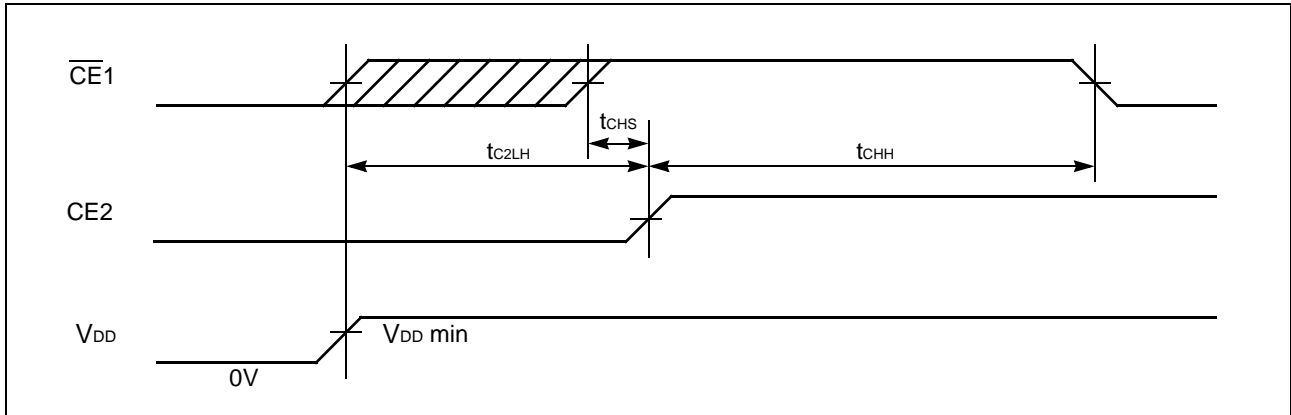


- Notes *1: This timing diagram assumes $\overline{CE2} = H$.
- *2: $\overline{CE1}$ can be tied to Low for \overline{WE} and \overline{OE} controlled operation.

■ TIMING DIAGRAMS (Continued)

POWER-UP Timing #1

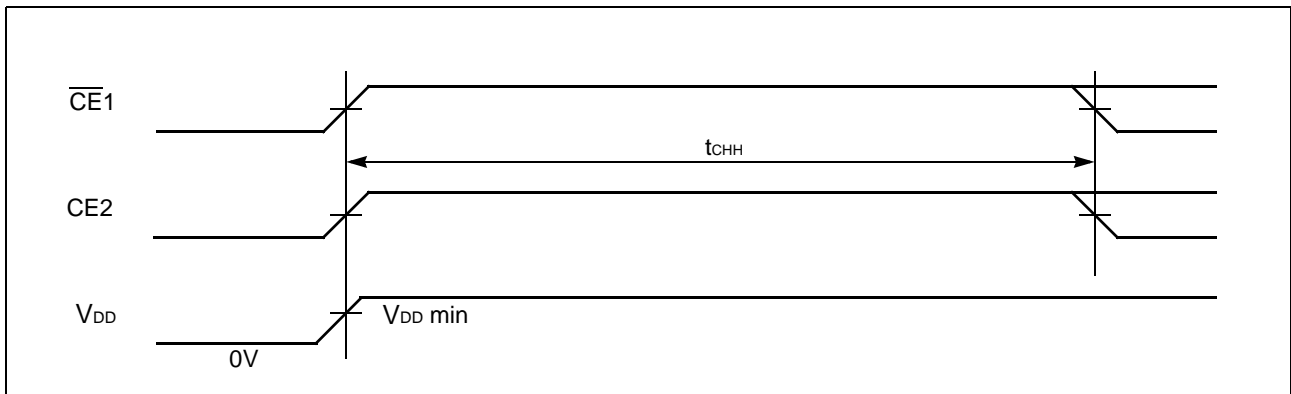
See Note.



Note: The t_{C2LH} specifies after V_{DD} reaches specified minimum level.

POWER-UP Timing #2

See Note.

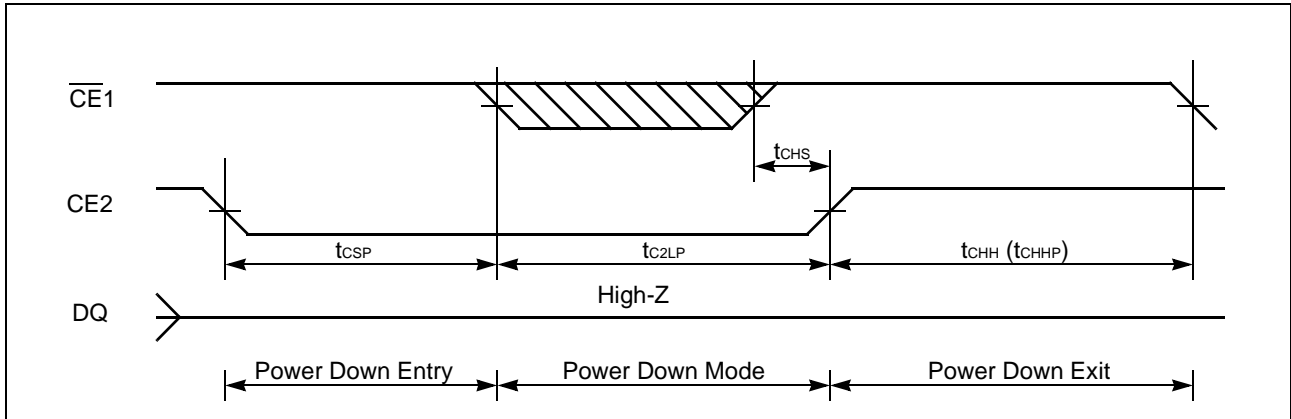


Note: The t_{CHH} specifies after V_{DD} reaches specified minimum level and applicable to both $\overline{CE1}$ and CE2.

■ TIMING DIAGRAMS (Continued)

POWER DOWN Entry and Exit Timing

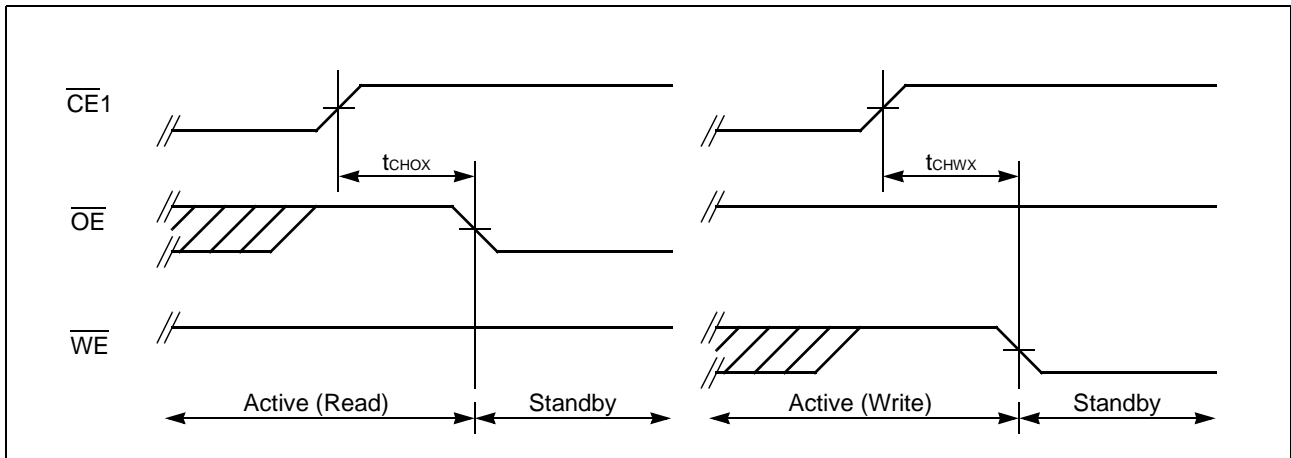
See Note.



Note: This Power Down mode can be also used as a reset timing if POWER-UP timing above could not be satisfied and Power-Down program was not performed prior to this reset.

Standby Entry Timing after Read or Write

See Note.

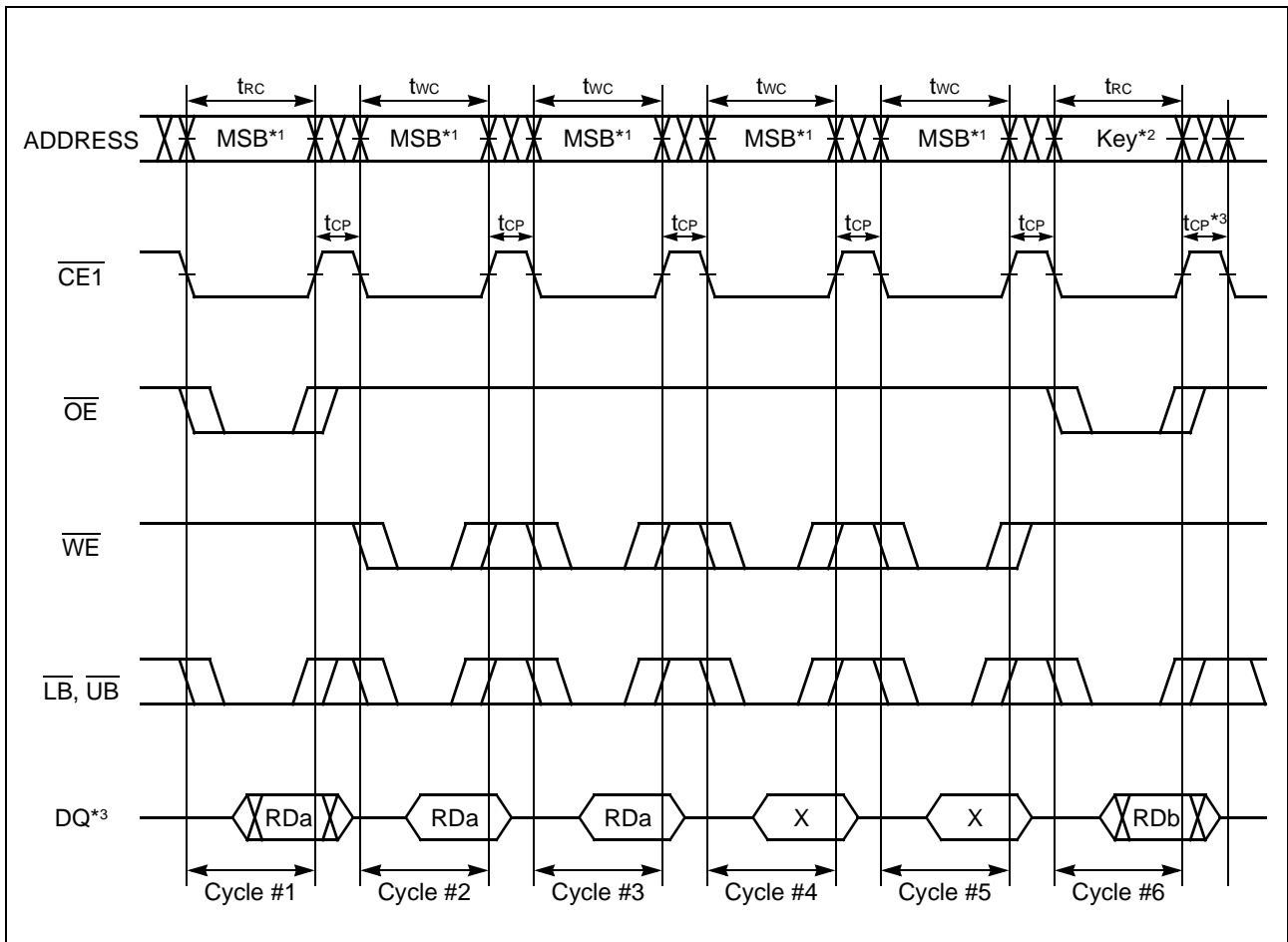


Note: Both t_{CHOX} and t_{CHWX} define the earliest entry timing for Standby mode. If either of timing is not satisfied, it takes t_{RC} (min) period for Standby mode from $\overline{CE1}$ Low to High transition.

■ TIMING DIAGRAMS (Continued)

POWER DOWN PROGRAM Timing

See Note.



- Notes**
- *1: The all address inputs must be High from Cycle #1 to #5.
 - *2: The address key must confirm the format specified in page 6. If not, the operation and data are not guaranteed.
 - *3: After t_{CP} following Cycle #6, the Power Down Program is completed and returned to the normal operation.

■ **PAD LAYOUT**

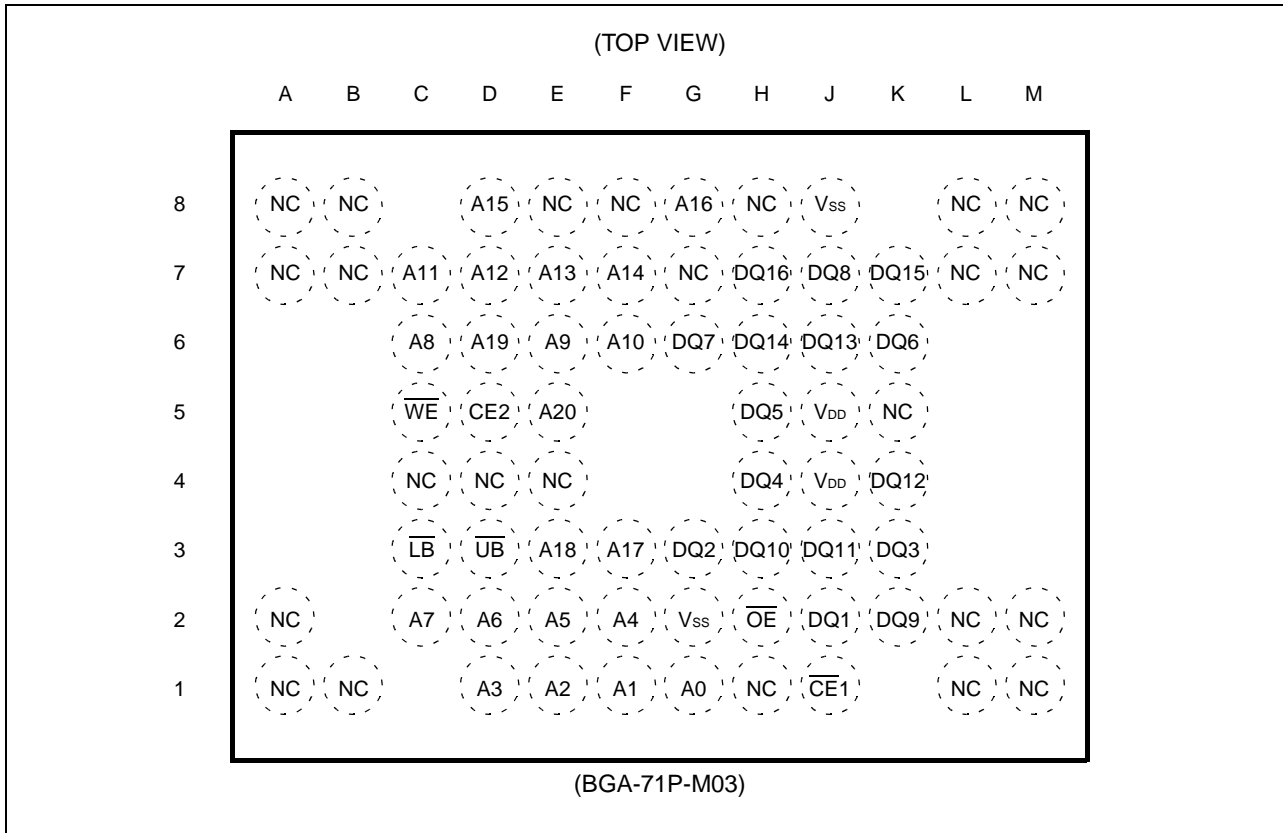
Please contact local FUJITSU representative for pad layout and pad coordinate information.

■ **PAD DESCRIPTION**

Pin Name	Description
A ₂₀ to A ₀	Address Input
$\overline{\text{CE}}1$	Chip Enable (Low Active)
CE2	Chip Enable (High Active)
$\overline{\text{WE}}$	Write Enable (Low Active)
$\overline{\text{OE}}$	Output Enable (Low Active)
$\overline{\text{LB}}$	Lower Byte Control (Low Active)
$\overline{\text{UB}}$	Upper Byte Control (Low Active)
DQ ₈₋₁	Lower Byte Data Input/Output
DQ ₁₆₋₉	Upper Byte Data Input/Output
V _{DD}	Power Supply
V _{SS}	Ground
TEST/OPEN	Test/Open (This pad should be left open. Do not use.)

■ PACKAGE FOR ENGINEERING SAMPLES

Pin Assignment

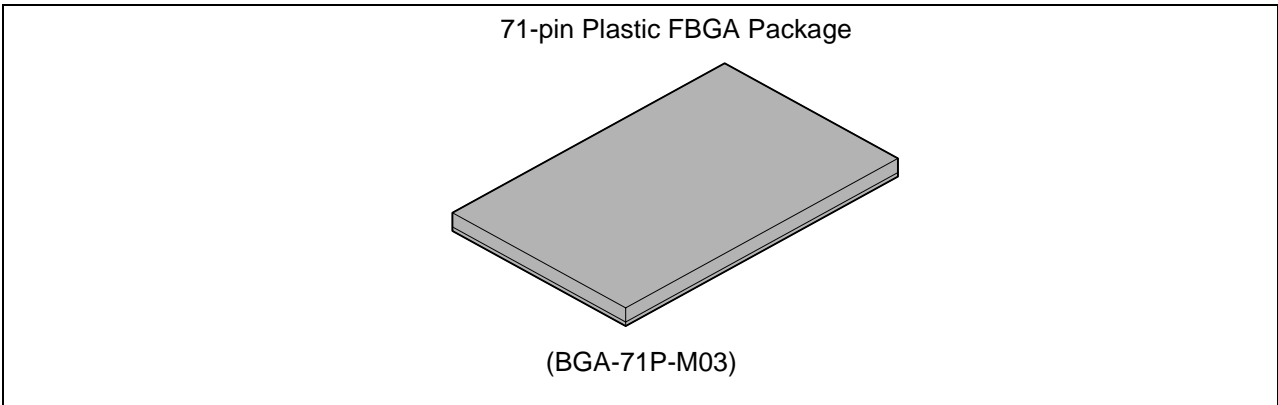


Pin Description

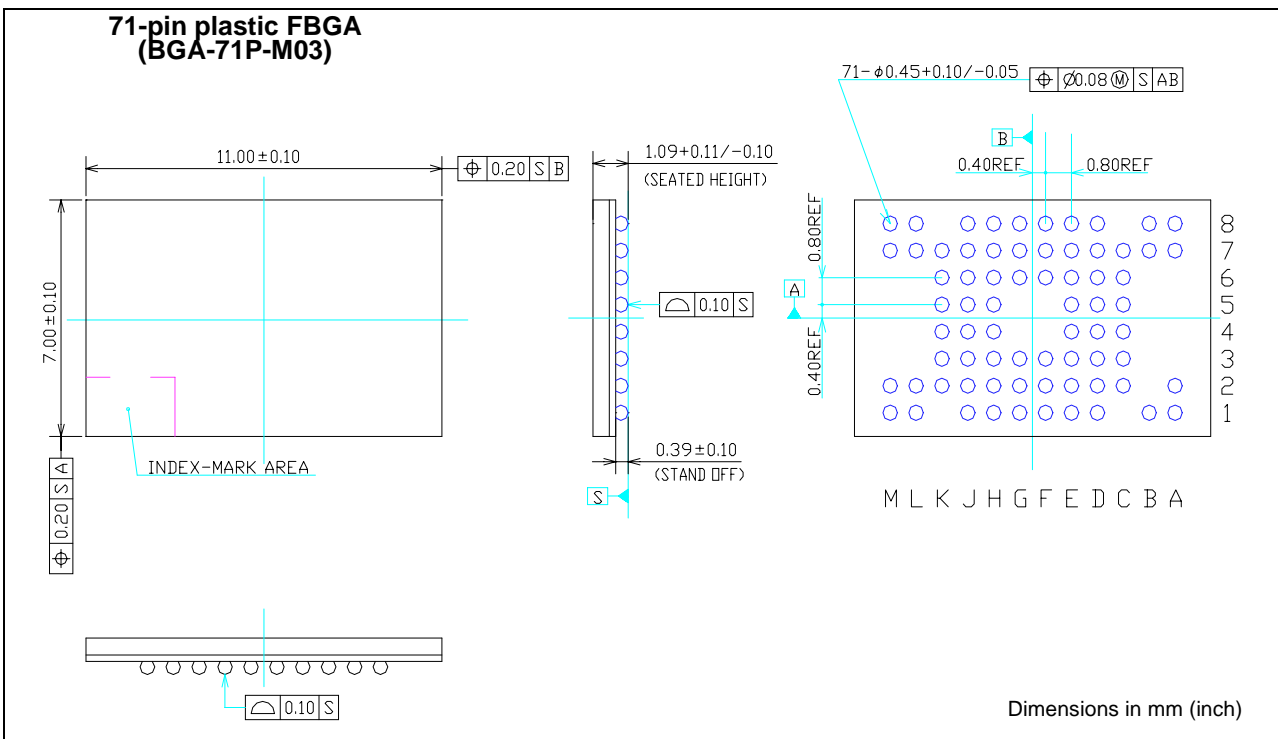
Pin Name	Description
A ₂₀ to A ₀	Address Input
$\overline{CE1}$	Chip Enable (Low Active)
CE2	Chip Enable (High Active)
\overline{WE}	Write Enable (Low Active)
\overline{OE}	Output Enable (Low Active)
\overline{LB}	Lower Byte Control (Low Active)
\overline{UB}	Upper Byte Control (Low Active)
DQ ₈₋₁	Lower Byte Data Input/Output
DQ ₁₆₋₉	Upper Byte Data Input/Output
V _{DD}	Power Supply
V _{SS}	Ground
NC	No Connection

■ PACKAGE FOR ENGINEERING SAMPLES (Continued)

Package View



Package Dimensions (Preliminary Drawing)



FUJITSU LIMITED

For further information please contact:

Japan

FUJITSU LIMITED
Marketing Division
Electronic Devices
Shinjuku Dai-Ichi Seimei Bldg. 7-1,
Nishishinjuku 2-chome, Shinjuku-ku,
Tokyo 163-0721, Japan
Tel: +81-3-5322-3353
Fax: +81-3-5322-3386
<http://edevice.fujitsu.com/>

North and South America

FUJITSU MICROELECTRONICS AMERICA, INC.
1250 E. Arques Avenue, M/S 333
Sunnyvale, CA 94088-3470, U.S.A.
Tel: +1-408-737-5600
Fax: +1-408-737-5999
<http://www.fma.fujitsu.com/>

Europe

FUJITSU MICROELECTRONICS EUROPE GmbH
Am Siebenstein 6-10,
D-63303 Dreieich-Buchsschlag,
Germany
Tel: +49-6103-690-0
Fax: +49-6103-690-122
<http://www.fme.fujitsu.com/>

Asia Pacific

FUJITSU MICROELECTRONICS ASIA PTE LTD.
#05-08, 151 Lorong Chuan,
New Tech Park,
Singapore 556741
Tel: +65-6281-0770
Fax: +65-6281-0220
<http://www.fmal.fujitsu.com/>

Korea

FUJITSU MICROELECTRONICS KOREA LTD.
1702 KOSMO TOWER, 1002 Daechi-Dong,
Kangnam-Gu, Seoul 135-280
Korea
Tel: +82-2-3484-7100
Fax: +82-2-3484-7111
<http://www.fmk.fujitsu.com/>

F0404
© FUJITSU LIMITED Printed in Japan

All Rights Reserved.

The contents of this document are subject to change without notice.

Customers are advised to consult with FUJITSU sales representatives before ordering.

The information, such as descriptions of function and application circuit examples, in this document are presented solely for the purpose of reference to show examples of operations and uses of Fujitsu semiconductor device; Fujitsu does not warrant proper operation of the device with respect to use based on such information. When you develop equipment incorporating the device based on such information, you must assume any responsibility arising out of such use of the information. Fujitsu assumes no liability for any damages whatsoever arising out of the use of the information.

Any information in this document, including descriptions of function and schematic diagrams, shall not be construed as license of the use or exercise of any intellectual property right, such as patent right or copyright, or any other right of Fujitsu or any third party or does Fujitsu warrant non-infringement of any third-party's intellectual property right or other right by using such information. Fujitsu assumes no liability for any infringement of the intellectual property rights or other rights of third parties which would result from the use of information contained herein.

The products described in this document are designed, developed and manufactured as contemplated for general use, including without limitation, ordinary industrial use, general office use, personal use, and household use, but are not designed, developed and manufactured as contemplated (1) for use accompanying fatal risks or dangers that, unless extremely high safety is secured, could have a serious effect to the public, and could lead directly to death, personal injury, severe physical damage or other loss (i.e., nuclear reaction control in nuclear facility, aircraft flight control, air traffic control, mass transport control, medical life support system, missile launch control in weapon system), or (2) for use requiring extremely high reliability (i.e., submersible repeater and artificial satellite).

Please note that Fujitsu will not be liable against you and/or any third party for any claims or damages arising in connection with above-mentioned uses of the products.

Any semiconductor devices have an inherent chance of failure. You must protect against injury, damage or loss from such failures by incorporating safety design measures into your facility and equipment such as redundancy, fire protection, and prevention of over-current levels and other abnormal operating conditions.

If any products described in this document represent goods or technologies subject to certain restrictions on export under the Foreign Exchange and Foreign Trade Law of Japan, the prior authorization by Japanese government will be required for export of those products from Japan.