



# XC2028 Product Brief

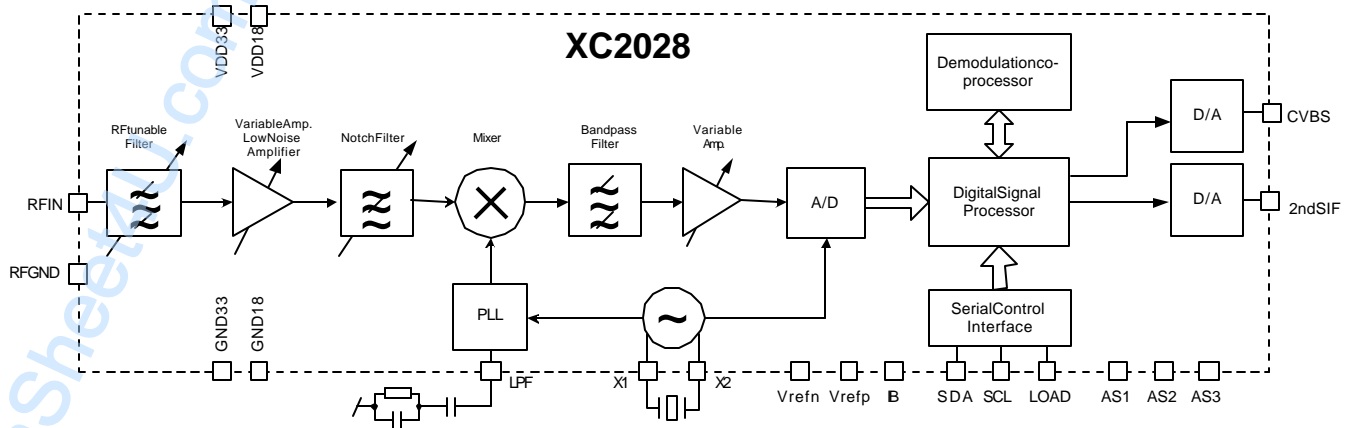
## ◆ Features

- World's smallest TV tuner:
  - Fully integrated RF-to-Baseband
  - No metal shield required
- FineTune™ digital picture carrier recovery:
  - Alignment-free
  - Quartz-stable and accurate
  - No externally tunable parts
- Built-in VIF/SIF circuit.
- Supports all analog TV standards:
  - NTSC, PAL, SECAM
  - CVBS and SIF output
- IIC bus controlled
- Ultra small 48-pin MLF package

Specification	World Wide
Input Impedance	75
VSWR (max.)	3
Noise figure (max, dB)	8
Phase noise @10 kHz (typ, dBc/Hz)	-80
LNA IIP3 dBm	6
AGC range (max. dB)	80
Image rejection (min dB)	55
Supply voltage (V DC)	1.8, 3.3
Power consumption (W)	~1
Video S/N (dB) typ.	55
Outline Dimensions (mm)	7 x 7 x .85
System setting Time (ms)	10
Frequency range (MHz)	42-862



## ULTRA SMALL ANALOG TERRESTRIAL AND CABLE RECEIVER



Xceive Corporation, 3900 Freedom Circle, Suite #200, Santa Clara, CA 95054  
 Tel: 408-486-5610, Fax: 408-486-5615, E-mail: [sales@xceive.com](mailto:sales@xceive.com), [www.xceive.com](http://www.xceive.com)

For a detailed list of current sales representatives, contact [sales@xceive.com](mailto:sales@xceive.com)

Rel. 9/04

The information in this document is believed to be accurate and reliable. Xceive assumes no responsibility for any consequences arising from the use of this information, nor from any infringement of patents or the rights of third parties that may result from its use. No license is granted by implication or otherwise under any patent or other rights of Xceive. The information in this publication replaces and supersedes all information previously supplied, and is subject to change without notice. Contact Xceive in order to obtain the latest device specification sheets before using any Xceive device.