



TAI-SAW TECHNOLOGY CO., LTD.

No. 3, Industrial 2nd Rd., Ping-Chen Industrial District,
Taoyuan, 324, Taiwan, R.O.C.
TEL: 886-3-4690038 FAX: 886-3-4697532
E-mail: tstsales@mail.taisaw.com Web: www.taisaw.com

Approval Sheet For Product Specification


Issued Date:


Product Name: IF SAW Filter 44 MHz

TST Parts No.: TB0496A

Customer Parts No.: _____

Company: _____
Division: _____
Approved by : _____
Date: _____

Checked by: _____ Kazuma Lee 

Approval by: _____ Francis Chen 

Date: _____ 2008/12/15

www.DataSheet4U.com



TAI-SAW TECHNOLOGY CO., LTD.

No. 3, Industrial 2nd Rd., Ping-Chen Industrial District,
Taoyuan, 324, Taiwan, R.O.C.

TEL: 886-3-4690038 FAX: 886-3-4697532

E-mail: tstsales@mail.taisaw.com Web: www.taisaw.com

IF SAW Filter 44MHz(BW=6.0z) for digital TV

MODEL NO.: TB0496A

REV. NO.2

A. MAXIMUM RATING:

DC voltage	V_{DC}	12	V	Between any terminals
AC voltage	V_{PP}	10	V	Between any terminals
Operating Temperature Range	T_A	-25~65	°C	
Storage Temperature Range	T_{stg}	-40~85	°C	

B. Characteristics :

1. Electronic Characteristics

Reference temperature: $T_a=25^{\circ}C$
 Terminating source impedance $Z_S=50\Omega$
 Terminating load impedance $Z_L=2k\Omega//3pF$



2 .Amplitude Characteristics

	MIN.	TYP.	MAX.	
Center frequency f_c				
Center frequency between 3dB point	-	44.00	-	MHz
Insertion attenuation				
Reference level for the Following data 44.06 MHz	12.7	14.7	16.7	dB
Amplitude ripple				
41.53-46.59 MHz	0.0	0.4	1.0	dB
3dB Pass Bandwidth	-	6.0	-	MHz
30dB Pass Bandwidth	-	7.6	-	MHz
41.53 MHz	-1.2	0.3	1.8	dB
46.59 MHz	-1.1	0.4	1.9	dB
41.06 MHz	1.5	2.7	3.8	dB
47.06 MHz	1.8	3.0	4.2	dB
47.31 MHz	6.3	8.3	10.3	dB
39.81 MHz	39.0	55.0	-	dB
Lower side lobe				
35.06 to 39.46 MHz	42.0	47.0	-	dB
39.46 to 40.06 MHz	37.0	47.0	-	dB
Upper side lobe				
48.06 to 50.06 MHz	35.0	42.0	-	dB
50.06 to 55.06 MHz	41.0	51.0	-	dB
Reflected Wave Signal Suppression	42.0	52.0		dB
Feed through Signal Suppression	50.0	56.0		dB
Group delay ripple				
41.53 ... 46.59 MHz	-	40	-	ns

Impedance at 44.06 MHz				
Input Impedance	-	1.3 16.1	-	K Ω pF
Output Impedance		1.1 5.6		K Ω pF
Temperature Coefficient of frequency	-	-72.0	-	ppm/K

C. Frequency Characteristics :

1. S21 Response: (span 20MHz)

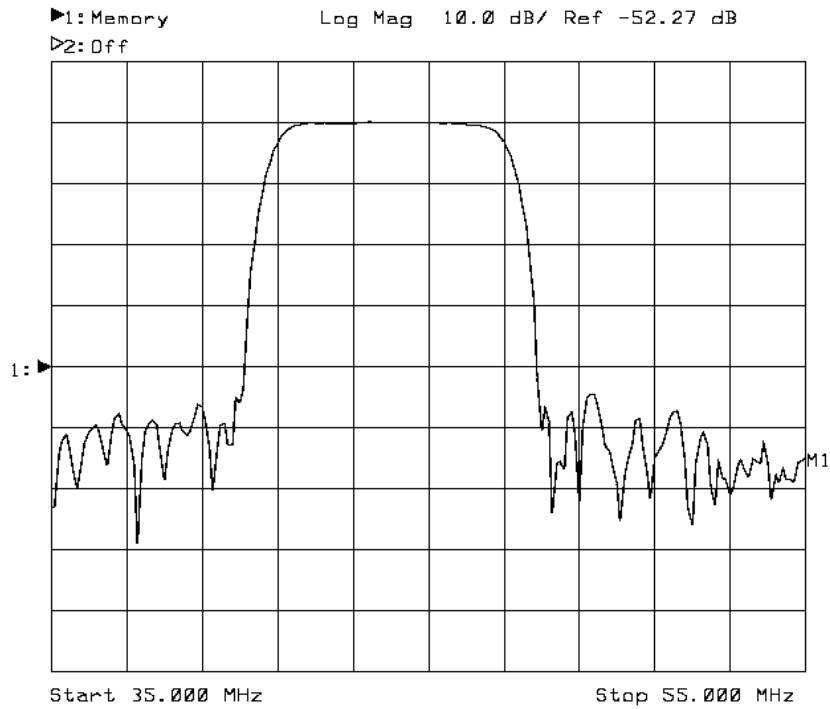


Fig.1 Horizontal : 2MHz/Div Vertical: 10B/Div

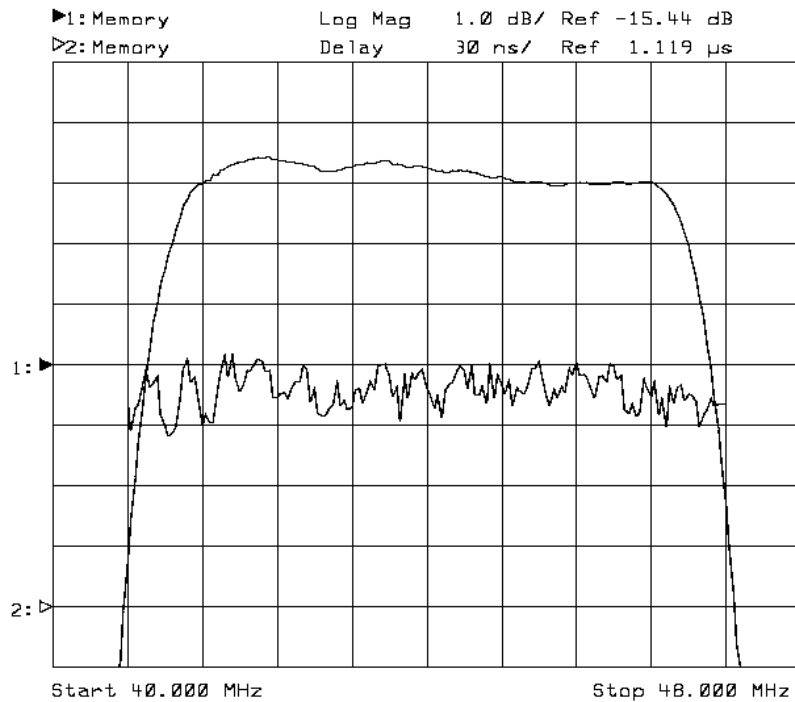
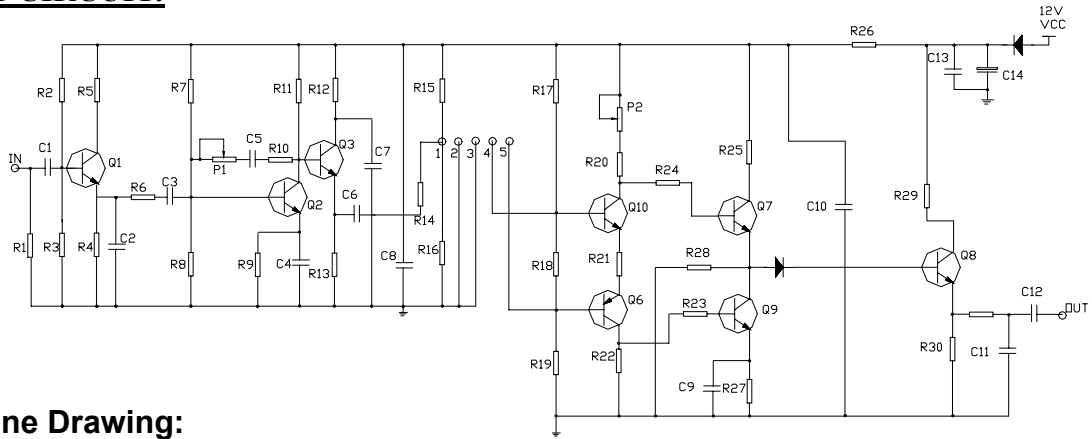


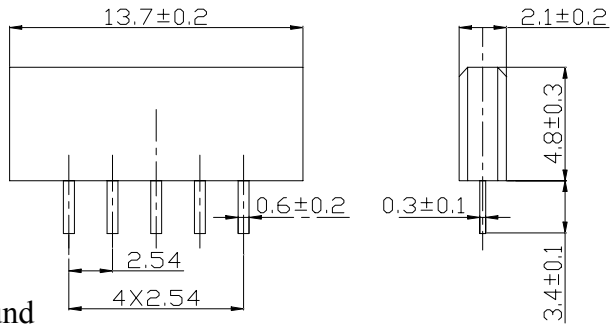
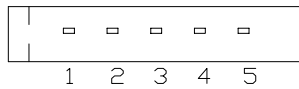
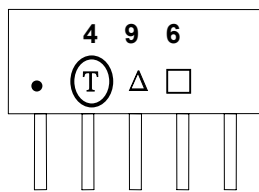
Fig.2 Horizontal : 0.8MHz/Div Vertical: 1dB/Div

D. TEST CIRCUIT:



E. Outline Drawing:

Unit: mm



Pin No. Functions

- 1. Input
- 2. Chip carrier - ground
- 3. Output - sound
- 4. Output - picture
- 5. Output - picture

□ : Week Code (Follow the table from planner each year)

△ : Product / Year Code

Year	2005 2009	2006 2010	2007 2011	2008 2012
Product Code	B	b	<u>B</u>	<u>b</u>