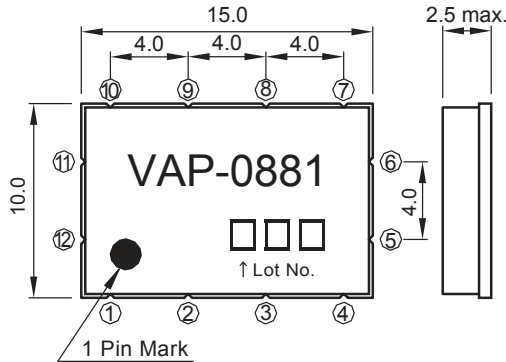


Configuration, Dimensions

Unit:mm

● VAP053 Series



- ①IN
- ⑥OUT
- ⑧Vcont1(Phase Shifter)
- ⑨Vcont2(Attenuator)
- ①, ②, ③, ④, ⑤, ⑦, ⑩, ⑫GND

Specifications

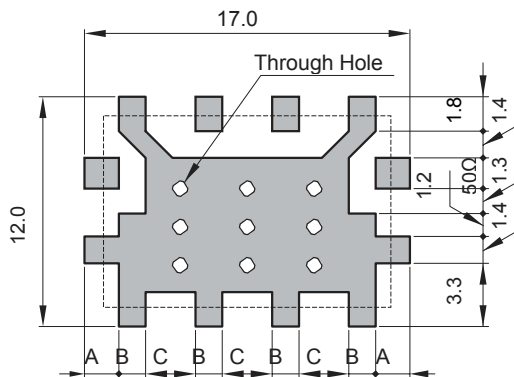
Style No.	Frequency Range [MHz]	Insertion Loss [dB]	Max. Voltage [V]	Max. Input Power [mW]	Vcont Range (Phase Shifter) [V]	Vcont Range (Attenuator) [V]	Phase Shift [deg.]	Variable Attenuation [dB]	VSWR	Phase Flatness [deg.]	Amplitude Flatness [dB]	+5dBm 2 tone Ave. [dBc]	Current Consumption [mA]
VAP053A-0881-G	844~919	2.6 max.	18 max.	100	0~15	0~7	100 min.	15 min.	1.6 max.	±3.0	±0.25	-60 max.	4 max.
VAP053B-2100-G	1900~2230	3.6 max.	18 max.	100	0~10	0~8	100 min.	20 min.	1.7 max.	±2.5 (some 100 MHz)	±0.2 (some 100 MHz)	-60 max.	4 max.

Working Temperature Range -20 ~ +70 C

Recommendable Footprint

Unit:mm

● VAP053 Series



A	1.8
B	1.4
C	2.6

Variation of Tolerance : ±0.1 mm