

**PLEASE CHECK WWW.MOLEX.COM FOR LATEST PART INFORMATION**

**Part Number:** [0197054301](#)  
**Status:** **Active**  
**Description:** PCB Tab Quick Disconnect, Male, for Wire, Box, Tab 6.35mm (.250") x 0.81mm (.032")

**Documents:**

[Drawing \(PDF\)](#) [RoHS Certificate of Compliance \(PDF\)](#)  
[Product Specification PS-19902-010 \(PDF\)](#)

**Agency Certification**

UL E79133

**General**

Product Family Quick Disconnects  
 Series [19705](#)  
 Crimp Quality Equipment Yes  
 Product Name PCB Tab  
 Type Quick Disconnect

**Physical**

Barrel Type Closed  
 Gender Male  
 Glow-Wire Compliant No  
 Insulation None  
 Lock to Mating Part None  
 Material - Metal Brass  
 Material - Plating Mating Tin  
 Material - Plating Termination Tin  
 Orientation PCB Straight Tab  
 Packaging Type Bag  
 Plating min: Mating (µin) 150  
 Plating min: Mating (µm) 3.81  
 Plating min: Termination (µin) 150  
 Plating min: Termination (µm) 3.81  
 Polarized to Mating Part No  
 Tab Thickness 0.81mm (.032")  
 Tab Width 6.35mm (.250")  
 Wire Insulation Diameter N/A  
 Wire Size AWG N/A

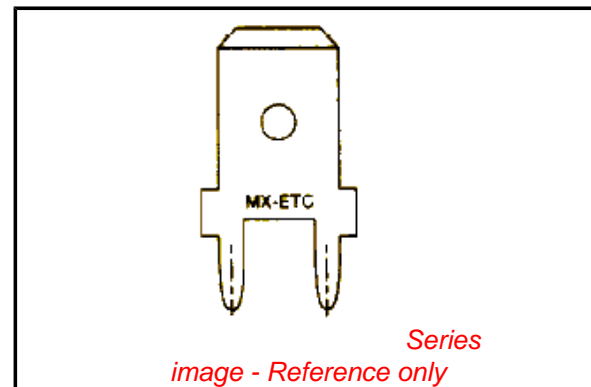
**Electrical**

Voltage - Maximum N/A

**Material Info**

**Reference - Drawing Numbers**

Product Specification PS-19902-010  
 Sales Drawing SD-19705-430



**EU RoHS**

**ELV and RoHS Compliant**  
**REACH SVHC Contains SVHC: No**  
**Halogen-Free Status**

**China RoHS**



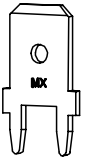
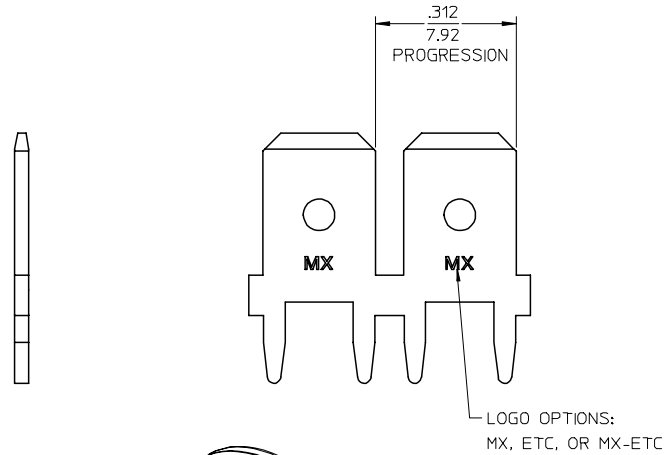
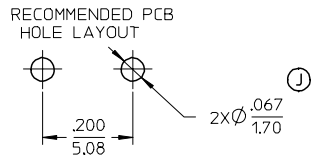
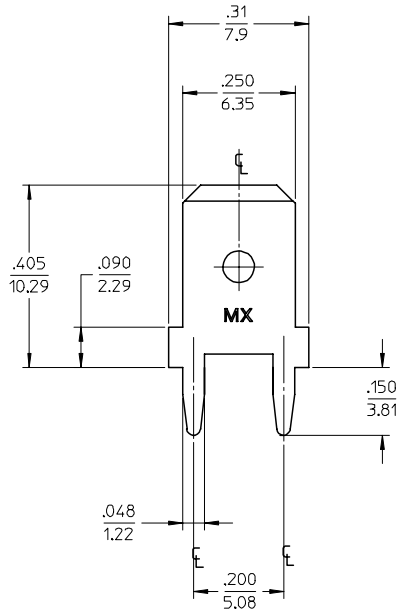
**Need more information on product environmental compliance?**

Email [productcompliance@molex.com](mailto:productcompliance@molex.com)  
 For a multiple part number RoHS Certificate of Compliance, [click here](#)

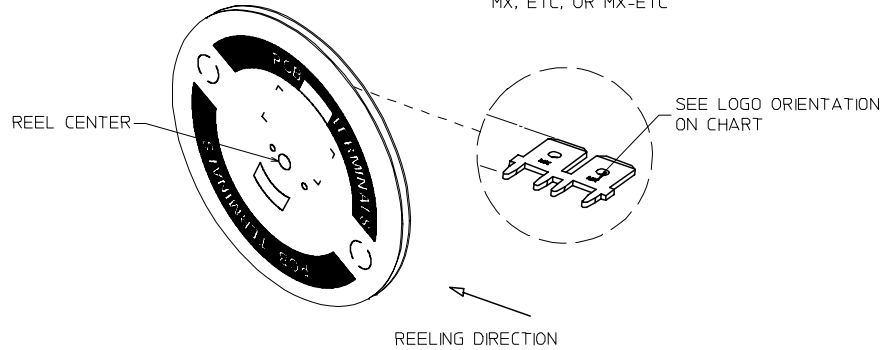
Please visit the [Contact Us](#) section for any non-product compliance questions.

**Search Parts in this Series**  
[19705Series](#)

MATERIAL NUMBER	ENGINEERING NUMBER	CARRIER	LOGO ORIENTATION
197054303	19705-4303	STRIP	IN
197054305	19705-4305	STRIP	OUT
197054301	19705-4301	LOOSE	-



SCALE 3:1



NOTES:

1. BARE EDGES PERMISSIBLE AT CARRIER CUT OFF.
2. MATERIAL: BRASS C26000 (.032/0.81) THICK.
3. TAB CONFORMS TO NEMA SPECIFICATIONS.
4. ALL DIMENSIONS AND NOTES REFERENCE UNLESS OTHERWISE NOTED.
5. PLATING: MATTE TIN 150μIN/3.81μm MINIMUM THICKNESS OVER NICKEL 50μIN/1.25μm MINIMUM THICKNESS.
6. REF: 9,000 MINIMUM PARTS PER REEL. REEL HAS 14" DIAMETER REEL WITH A 1.25" DIAMETER CENTER HOLE.
7. PART IS ROHS COMPLIANT.

REVISED PCB HOLE DIA FC NO: ETC2007-0403 DRAWN BY: DRWNEHLE CHKD: JMAGNELL APPR: JMAGNELL	QUALITY SYMBOLS =0 =0	GENERAL TOLERANCES (UNLESS SPECIFIED)		DIMENSION STYLE		SCALE	DESIGN UNITS	THIRD ANGLE PROJECTION	
		mm	INCH	IN/MM		5:1	INCH		
J 2007/05/14	DESCRIPTION 2007/05/14	4 PLACES	±---	±---	DRAWN BY	DATE	QUICK DISCONNECT PCB MOUNTABLE .250 X .032 TAB		
		3 PLACES	±---	±.005	EDB	11/08/96			
J 2007/05/14	DESCRIPTION 2007/05/14	2 PLACES	±0.13	±.01	CHECKED BY	DATE	MOLEX INCORPORATED		
		1 PLACE	±0.25	±---	JH	11/08/96			
J 2007/05/15	DESCRIPTION 2007/05/15	ANGULAR ±1/2°		APPROVED BY	DATE	SD-19705-430			
				RWD	11/08/96				
DRAFT WHERE APPLICABLE MUST REMAIN WITHIN DIMENSIONS		SEE CHART		MATERIAL NO.		DOCUMENT NO.	SHEET NO.		
				C		THIS DRAWING CONTAINS INFORMATION THAT IS PROPRIETARY TO MOLEX INCORPORATED AND SHOULD NOT BE USED WITHOUT WRITTEN PERMISSION		1 OF 1	